



US00D474969S

(12) **United States Design Patent**
Love

(10) **Patent No.:** **US D474,969 S**

(45) **Date of Patent:** **** May 27, 2003**

(54) **BOTTLE CAP**

D172,571 S * 7/1954 Ward D9/436
D302,793 S * 8/1989 Yamaguchi D9/436

(76) Inventor: **Patricia A. Love**, Sharon Village
Condominiums, Unit 10, 594 Moull St.,
Newark, OH (US) 43055

* cited by examiner

(**) Term: **14 Years**

Primary Examiner—Louis S. Zarfes
Assistant Examiner—Gregory A Andoll
(74) *Attorney, Agent, or Firm*—Gallagher & Dawsey Co.,
LPA; David J. Dawsey; Michael J. Gallagher

(21) Appl. No.: **29/161,830**

(22) Filed: **Jun. 5, 2002**

(57) **CLAIM**

The ornamental design for a bottle cap, as shown.

(51) **LOC (7) Cl.** **09-07**

(52) **U.S. Cl.** **D9/451**; D9/436; D9/443

(58) **Field of Search** D9/434, 435, 436,
D9/441, 451, 443, 307; D21/532; D16/135;
D8/75, 81; 215/228, 303, 305, 213

DESCRIPTION

FIG. 1 is a perspective view of a bottle cap showing my new design;

FIG. 2 is a top plan view thereof;

FIG. 3 is a bottom plan view thereof;

FIG. 4 is a front side elevation view thereof;

FIG. 5 is a left side elevation view thereof;

FIG. 6 is a right side elevation view thereof; and,

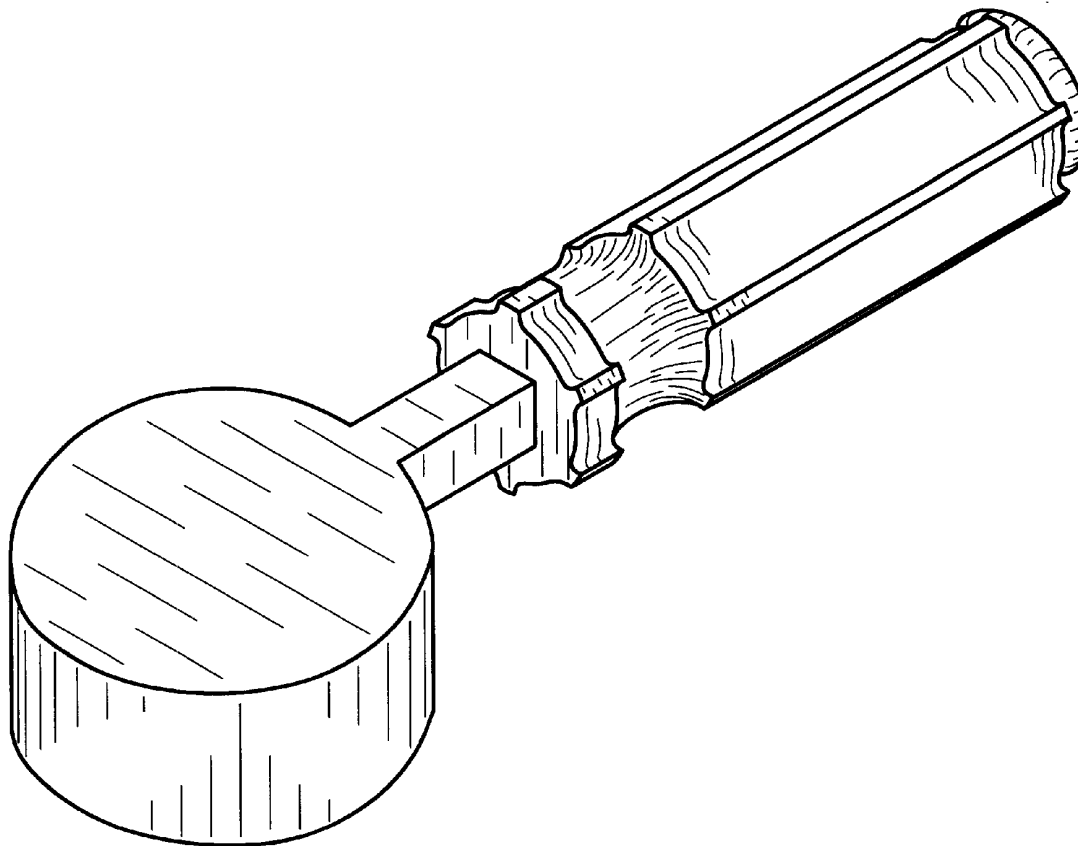
FIG. 7 is a rear side elevation view thereof.

(56) **References Cited**

U.S. PATENT DOCUMENTS

D142,267 S * 8/1945 Walraven D8/82
D147,765 S * 10/1947 Silbermagel D16/135
2,487,728 A * 11/1949 Quiring 215/213
D164,193 S * 8/1951 Medgyes D9/451

1 Claim, 2 Drawing Sheets



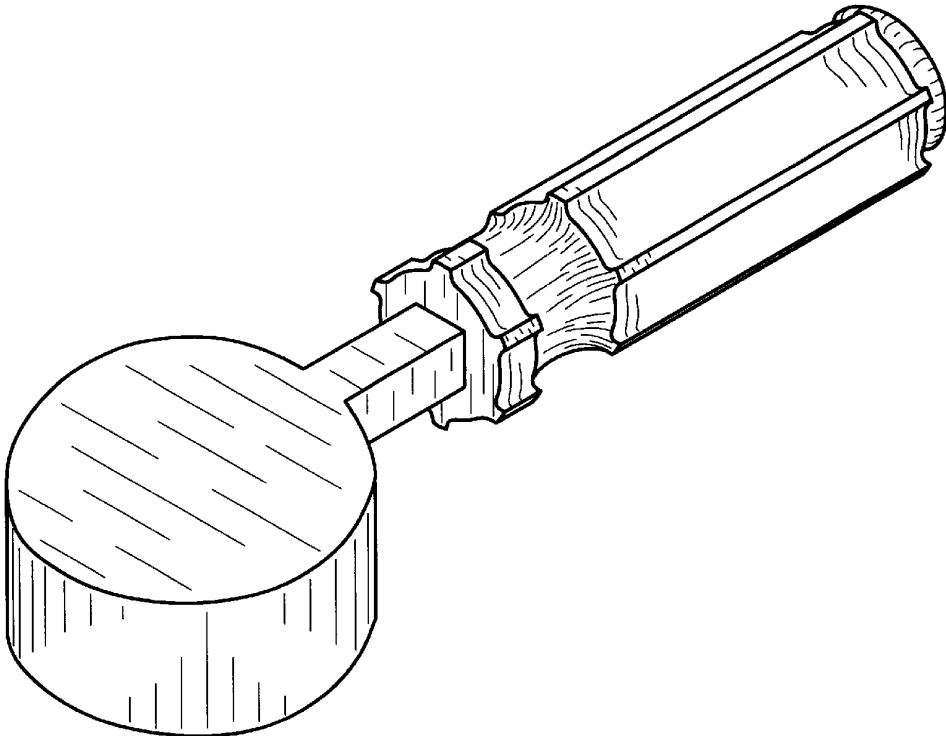


FIG. 1

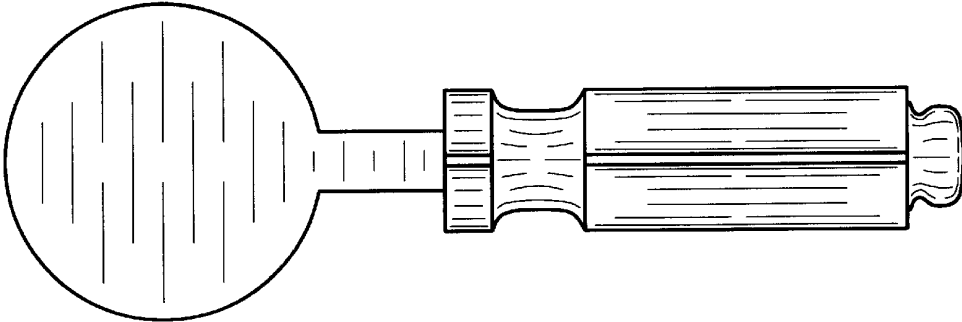


FIG. 2

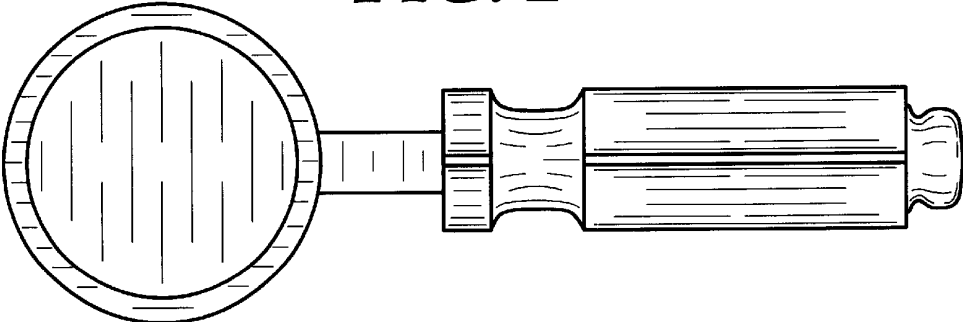


FIG. 3

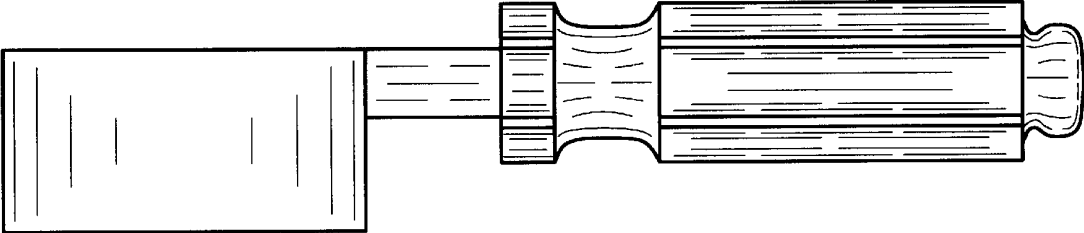


FIG. 4

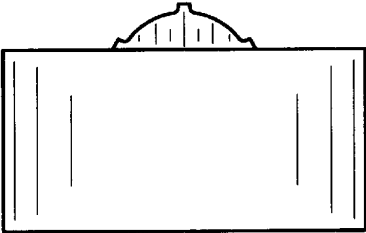


FIG. 5

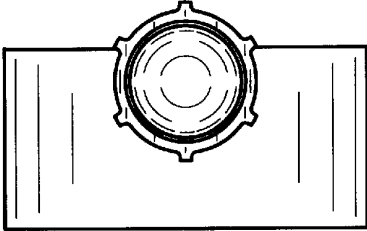


FIG. 6

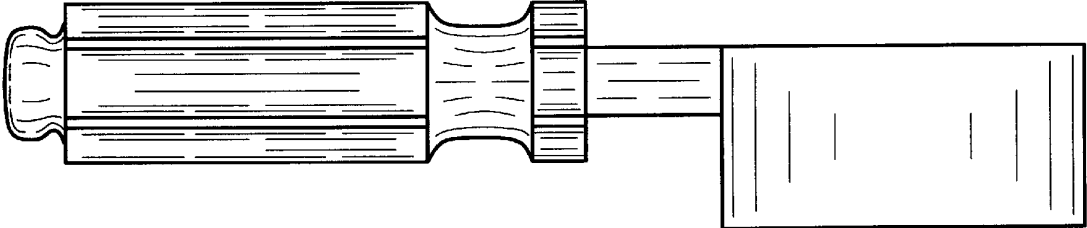


FIG. 7