



US00D546022S

(12) **United States Design Patent** (10) **Patent No.:** **US D546,022 S**  
**Elsen et al.** (45) **Date of Patent:** **\*\* Jul. 3, 2007**

(54) **HOIST**

4,623,124 A \* 11/1986 Lewis ..... 254/350  
5,002,259 A \* 3/1991 Manning et al. .... 254/350  
D523,208 S \* 6/2006 Inglis ..... D34/33

(75) Inventors: **Koenraad Elsen**,  
Scherpenheuvel-Zichem (BE); **Kristof**  
**Vaes**, Antwerp (BE)

\* cited by examiner

(73) Assignee: **Sky Climber, LLC**, Stone Mountain,  
GA (US)

*Primary Examiner*—Cynthia E. Ramirez  
(74) *Attorney, Agent, or Firm*—Gallagher & Dawsey;  
David J. Dawsey; Michael J. Gallagher

(\*\*) Term: **14 Years**

(57) **CLAIM**

(21) Appl. No.: **29/242,076**

The ornamental design for a hoist, as shown and described.

(22) Filed: **Nov. 4, 2005**

**DESCRIPTION**

(51) **LOC (8) Cl.** ..... **12-05**

(52) **U.S. Cl.** ..... **D34/33**

(58) **Field of Classification Search** ..... D34/28,  
D34/33, 35; 254/362, 356, 372, 380, 901,  
254/382, 374, 316

FIG. 1 is a right side isometric view of a hoist showing my  
new design;

FIG. 2 is a left side isometric view thereof;

FIG. 3 is a left side elevation view thereof;

FIG. 4 is a right side elevation view thereof;

FIG. 5 is a rear elevation view thereof;

FIG. 6 is a front elevation view thereof;

FIG. 7 is a top plan view thereof; and,

FIG. 8 is a bottom plan view thereof.

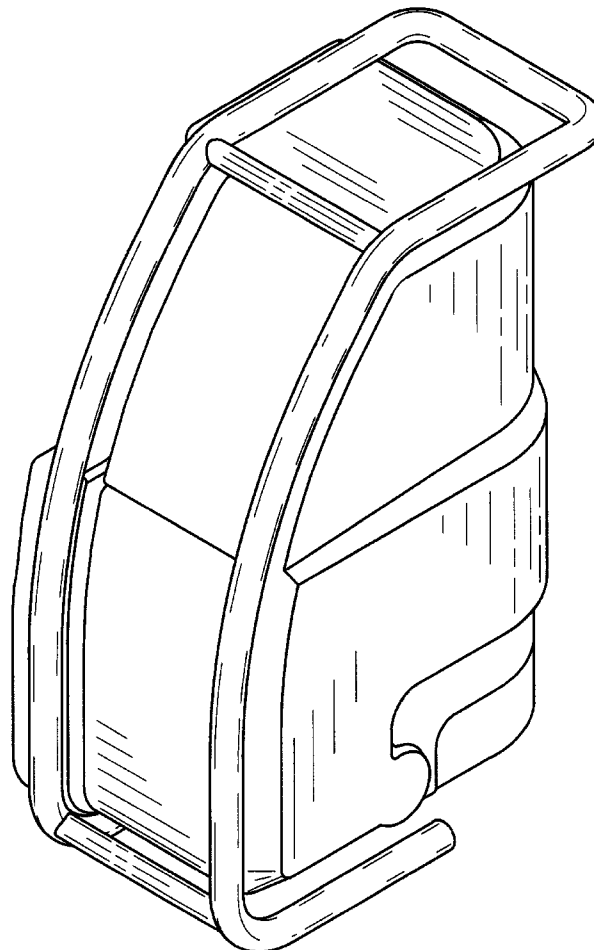
See application file for complete search history.

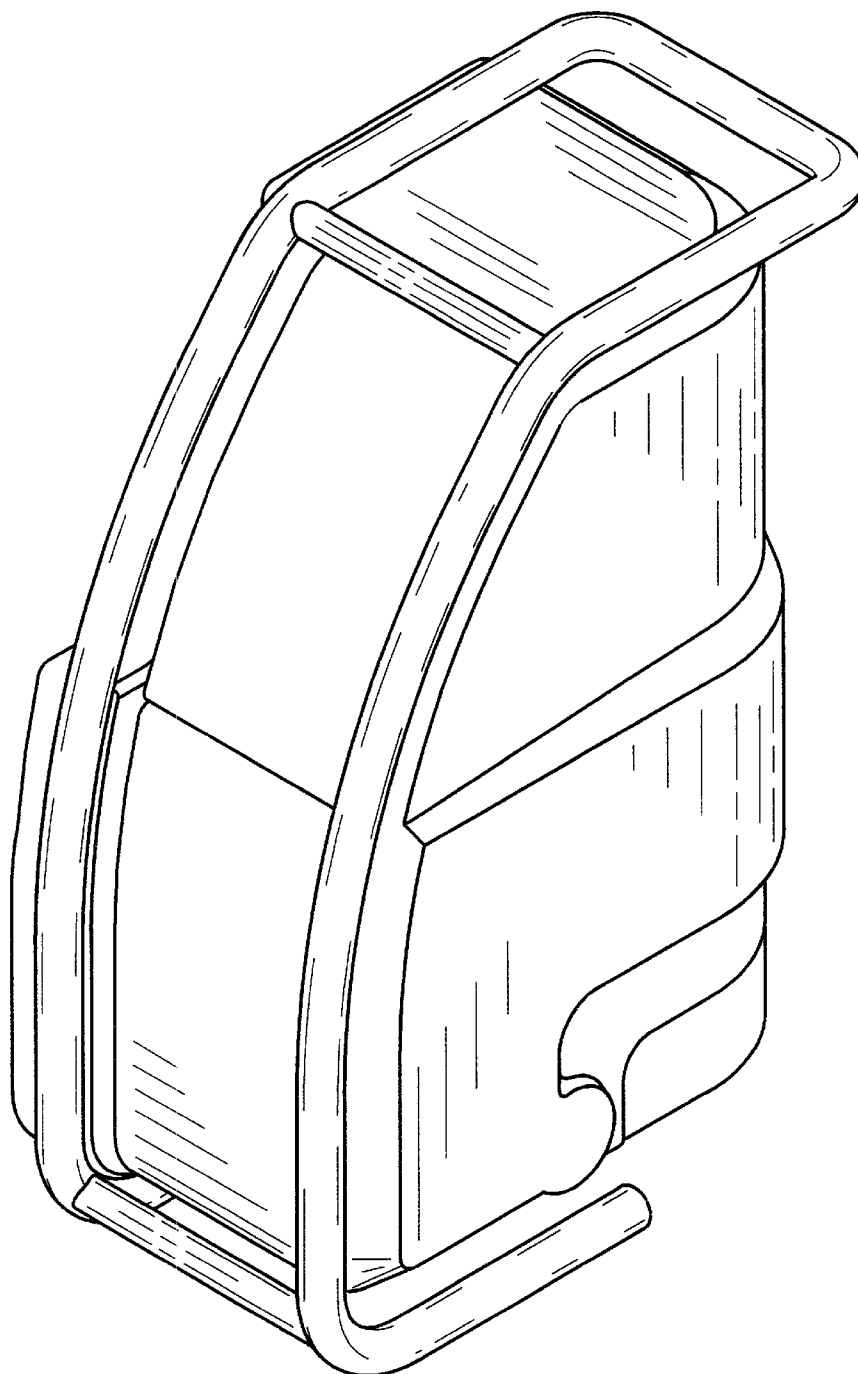
(56) **References Cited**

U.S. PATENT DOCUMENTS

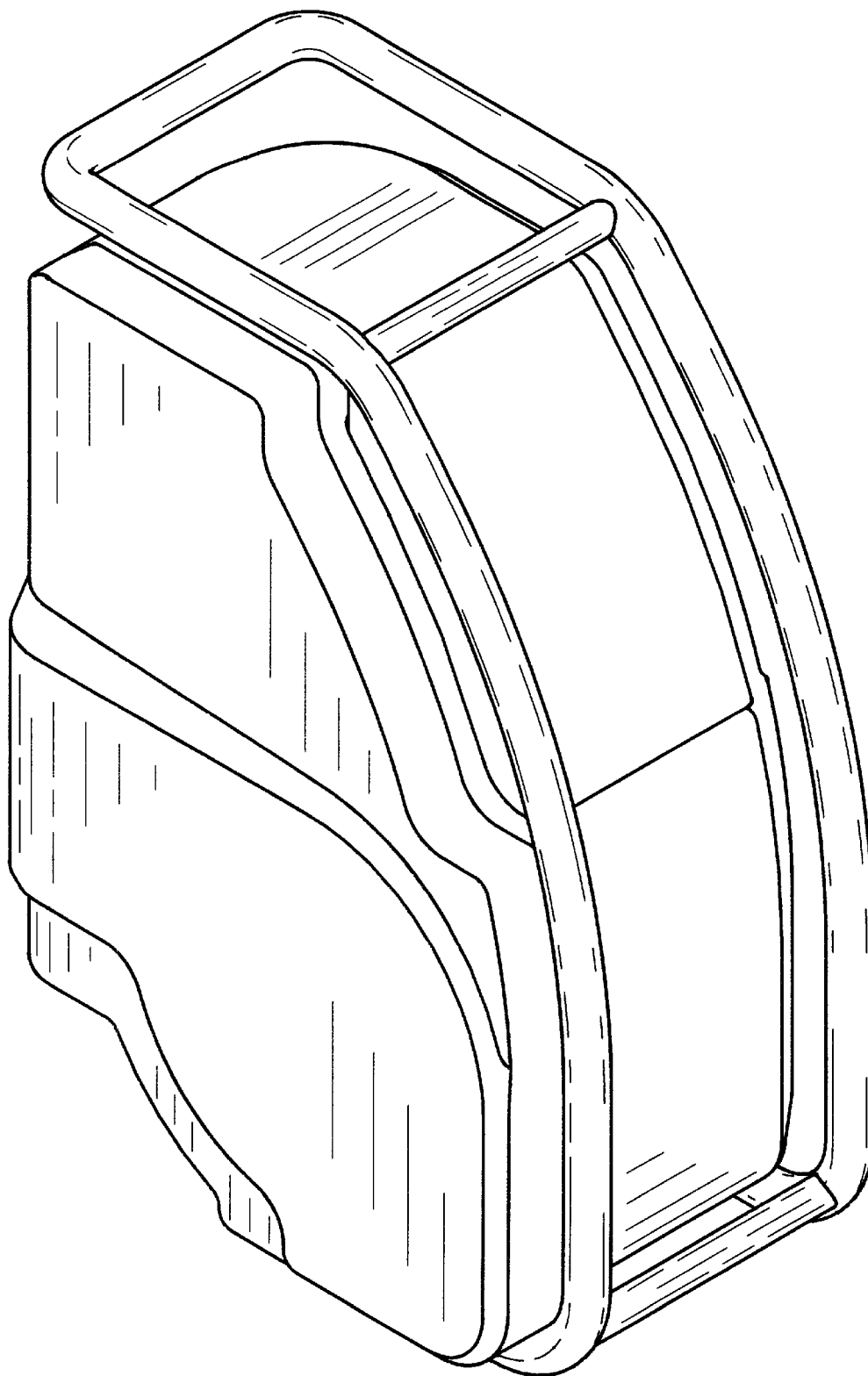
1,564,457 A \* 12/1925 Werner et al. .... 254/346

**1 Claim, 4 Drawing Sheets**

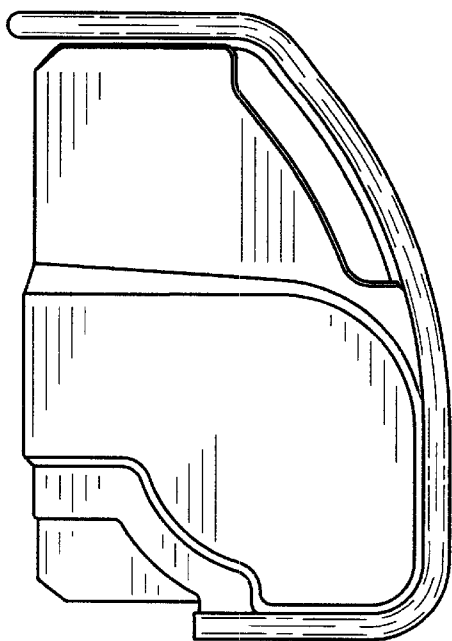




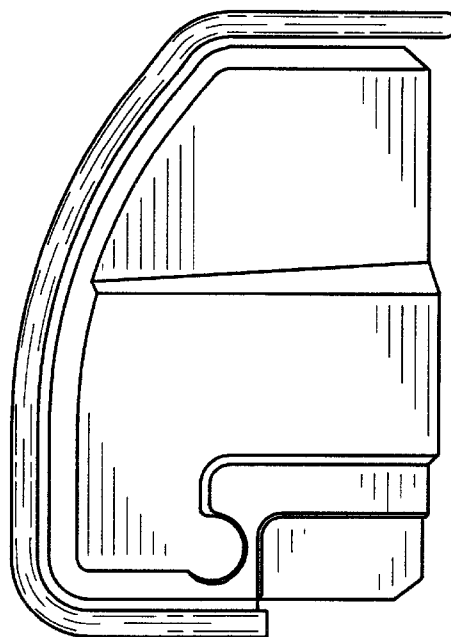
**FIG. 1**



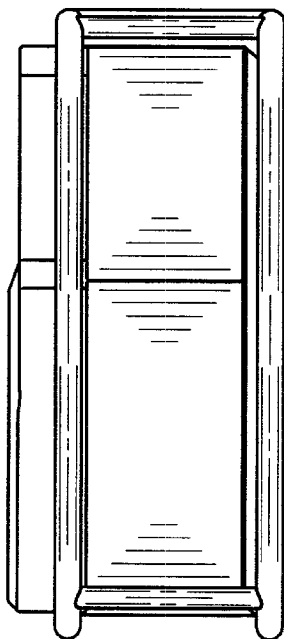
***FIG. 2***



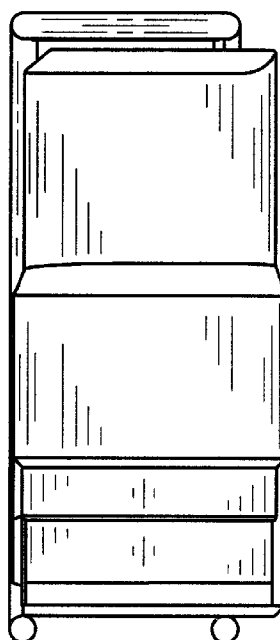
**FIG. 3**



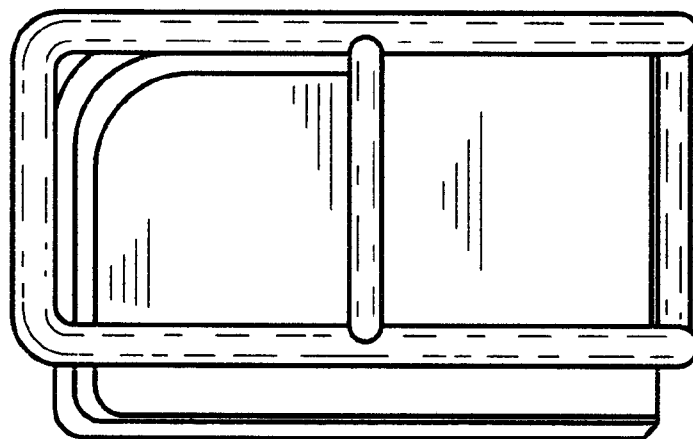
**FIG. 4**



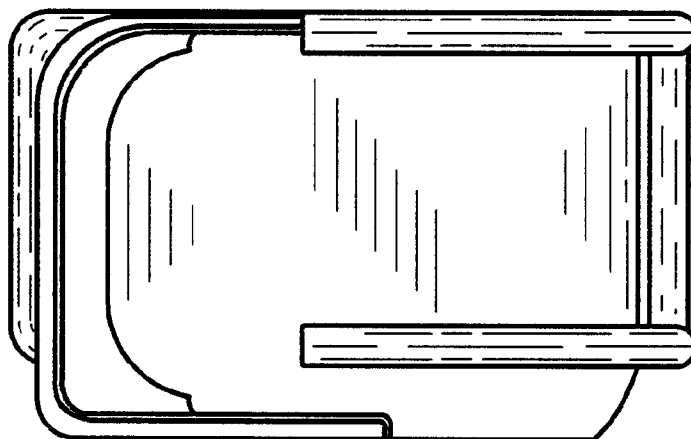
**FIG. 5**



**FIG. 6**



***FIG. 7***



***FIG. 8***