



US00D607246S

(12) **United States Design Patent**
Lochen

(10) **Patent No.:** **US D607,246 S**
(45) **Date of Patent:** **** *Jan. 5, 2010**

(54) **SOCCER THEMED DOUBLE DISPENSER**

(75) Inventor: **Romain Lochen**, Champigny-sur-Marne (FR)

(73) Assignee: **Viaplast SARL**, Champigny-sur-Marne (FR)

(*) Notice: This patent is subject to a terminal disclaimer.

(**) Term: **14 Years**

(21) Appl. No.: **29/340,549**

(22) Filed: **Jul. 21, 2009**

(51) **LOC (9) Cl.** **20-02**

(52) **U.S. Cl.** **D6/515**

(58) **Field of Classification Search** D6/515,
D6/517, 542, 545; 211/13.1; 221/45-46,
221/49, 66, 282, 284; 206/704, 528; D21/315,
D21/318, 313, 712, 713, 714; D12/500,
D12/503; D29/106; 222/71, 129, 133; D26/73
See application file for complete search history.

(56) **References Cited**

U.S. PATENT DOCUMENTS

D203,066	S	*	11/1965	Sawyer	D7/589
D217,970	S	*	7/1970	Gardella et al.	D6/515
4,339,062	A		7/1982	Witt, Jr.		
D345,663	S	*	4/1994	Hartman et al.	D6/515
D373,037	S	*	8/1996	Lotti	D6/515
D410,699	S	*	6/1999	Herlitz et al.	D21/318
D410,700	S	*	6/1999	Herlitz et al.	D21/318
D414,636	S	*	10/1999	Wiese	D6/515
D416,770	S		11/1999	Thorpe		
D452,943	S	*	1/2002	Gallegos	D29/106
D464,221	S	*	10/2002	Rieck	D6/515
D475,226	S	*	6/2003	Wagner	D6/515
D480,243	S	*	10/2003	Edwards et al.	D6/515
D491,403	S	*	6/2004	Gervasi	D6/515

D496,137	S	*	9/2004	Byrne	D30/160
D501,343	S	*	2/2005	Miesieski et al.	D6/515
D508,543	S	*	8/2005	Ota	D21/713
D541,088	S	*	4/2007	Nesci	D6/515
D551,375	S	*	9/2007	Nunes	D26/73
D551,376	S	*	9/2007	Nunes	D26/73
D558,285	S	*	12/2007	Avis et al.	D21/713
D560,413	S		1/2008	Stein		
D563,149	S		3/2008	Henry		
D563,479	S	*	3/2008	Wei	D21/318
D569,927	S	*	5/2008	Kuehne et al.	D21/713
D570,431	S	*	6/2008	Krysiak	D21/712
D575,433	S	*	8/2008	Nunes	D26/73
D585,223	S	*	1/2009	Rust	D6/515
D587,855	S	*	3/2009	Nimmons et al.	D29/106

* cited by examiner

Primary Examiner—Brian N Vinson

(74) *Attorney, Agent, or Firm*—Gallagher & Dawsey Co., LPA; Michael J. Gallagher; David J. Dawsey

(57) **CLAIM**

I claim the ornamental design for a soccer themed double dispenser, as shown and described.

DESCRIPTION

FIG. 1 is a perspective view of a soccer themed double dispenser showing my new design;

FIG. 2 is a front elevation view thereof;

FIG. 3 is a rear elevation view thereof;

FIG. 4 is a right side elevation view thereof;

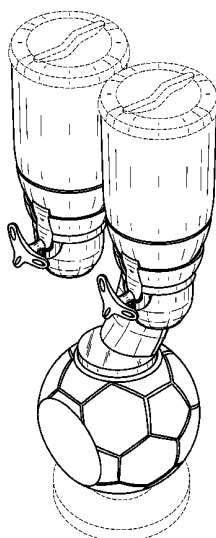
FIG. 5 is a left side elevation view thereof;

FIG. 6 is a top plan view thereof; and,

FIG. 7 is a bottom plan view thereof.

The broken-line disclosure in the views is understood to represent portions of the article in which the claimed design is embodied, but which form no part of the claimed design.

1 Claim, 4 Drawing Sheets



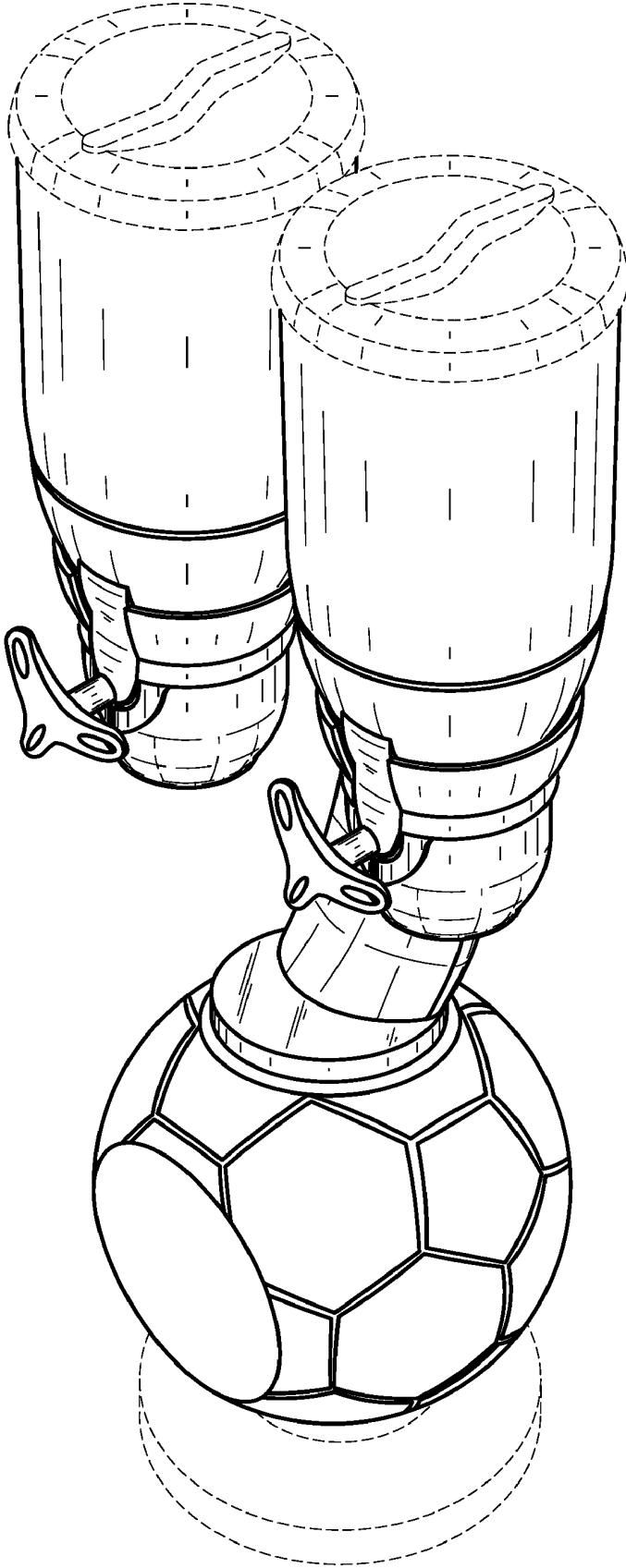


Fig. 1

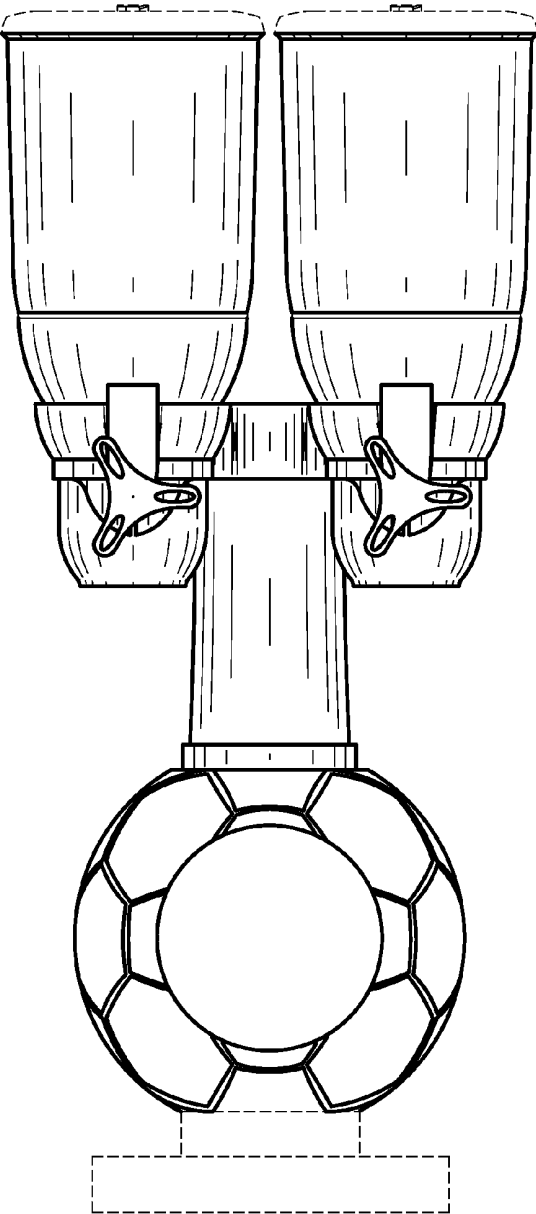


Fig. 2

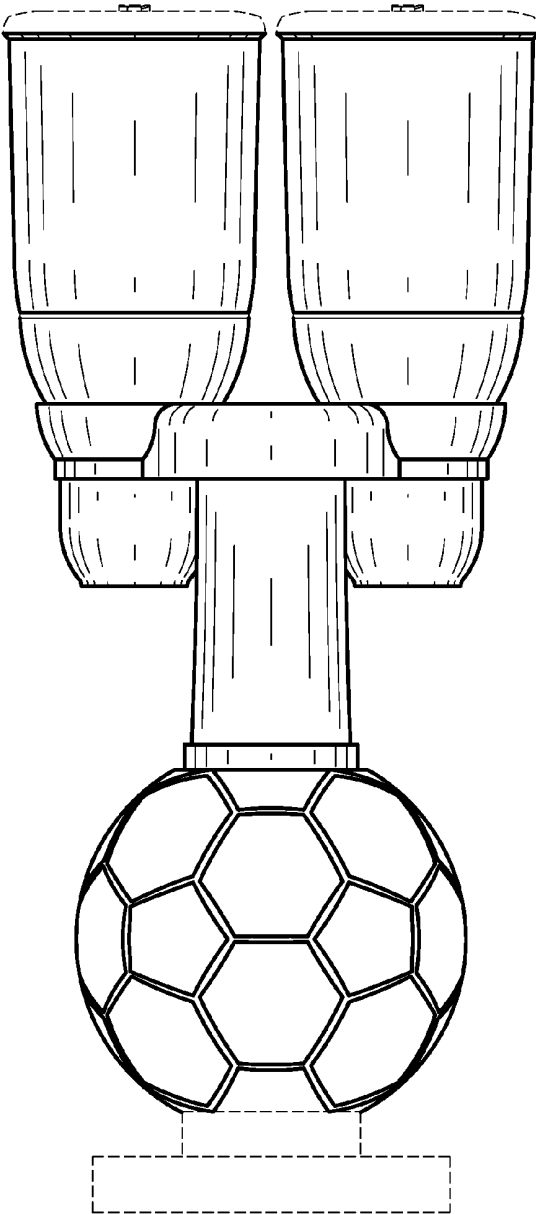


Fig. 3

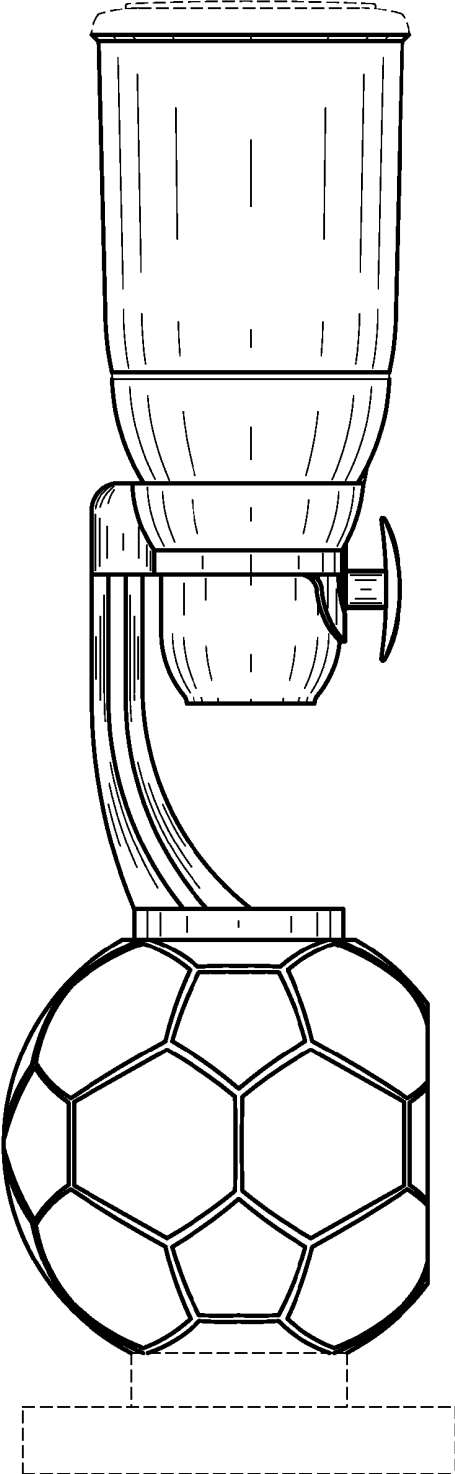


Fig. 4

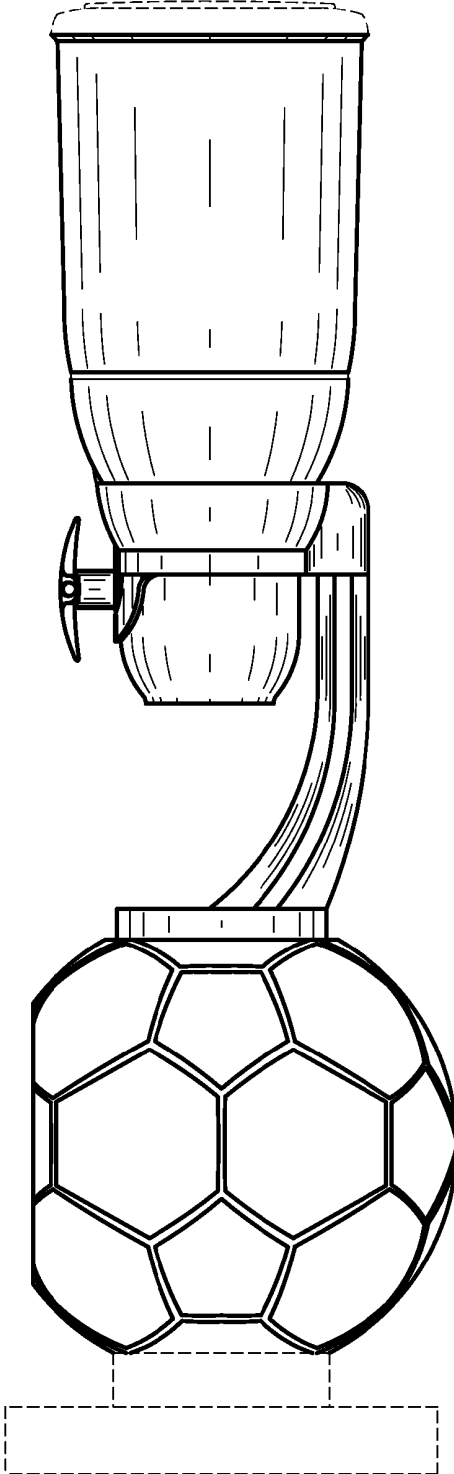


Fig. 5

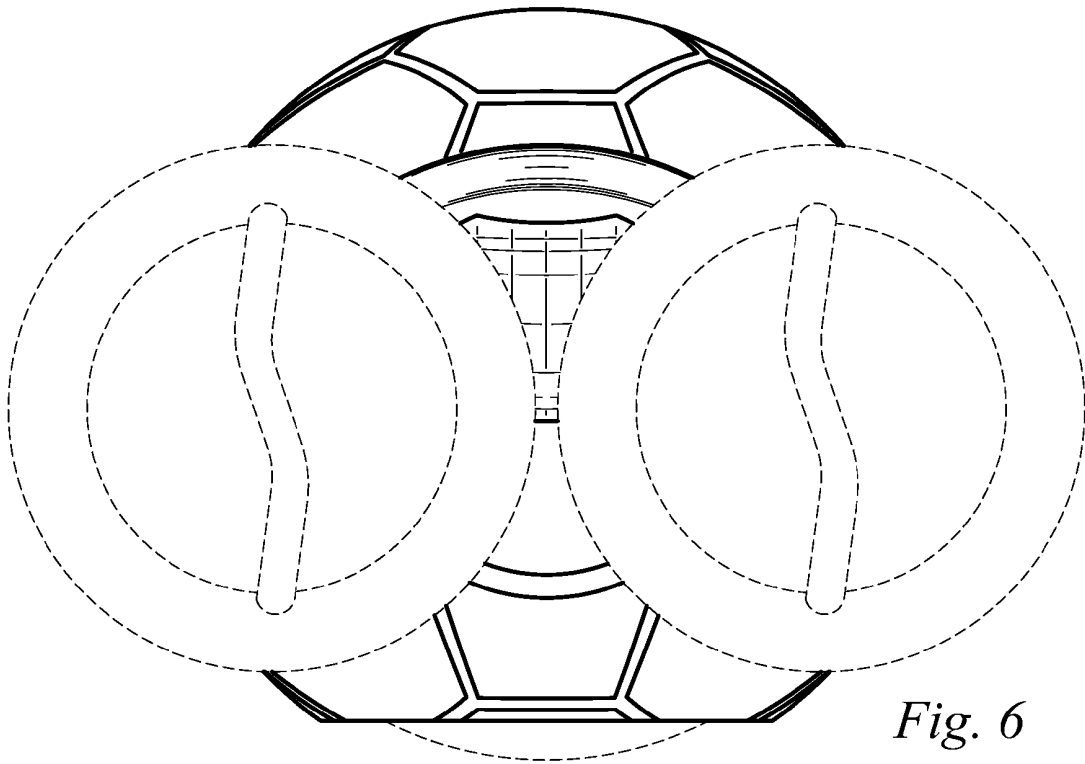


Fig. 6

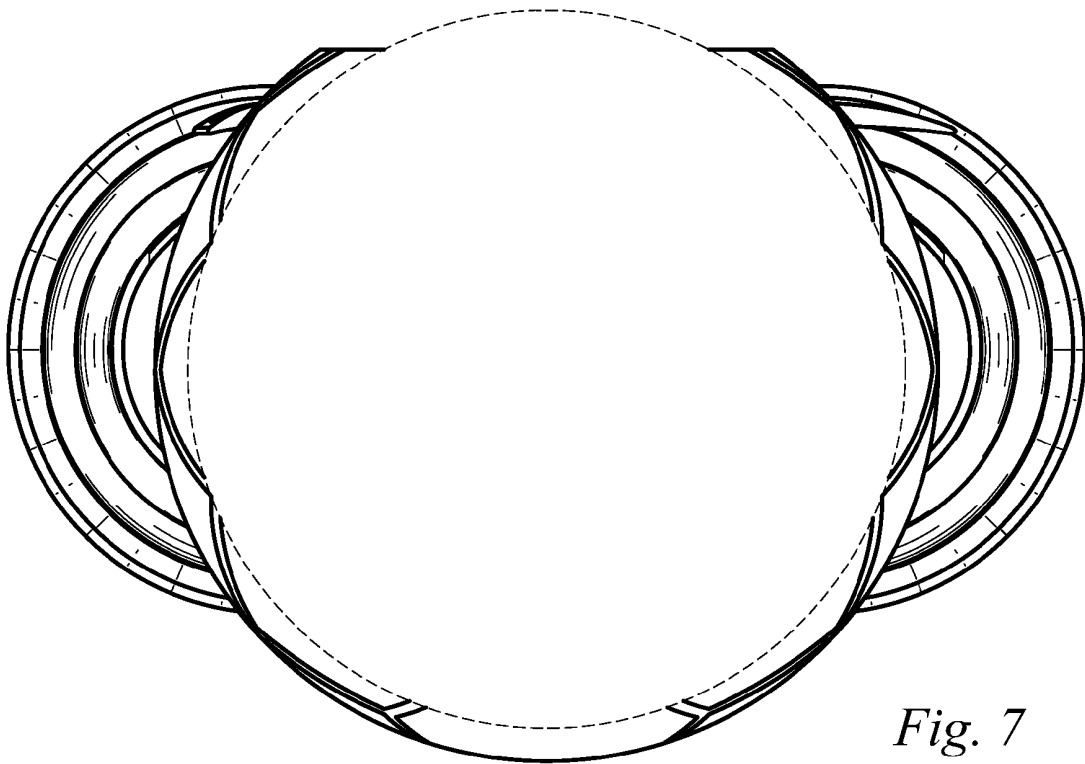


Fig. 7