



US00D608214S

(12) **United States Design Patent**  
**Kuzma et al.**

(10) **Patent No.:** **US D608,214 S**

(45) **Date of Patent:** **\*\* Jan. 19, 2010**

(54) **BOTTLE**

(75) Inventors: **Gene J. Kuzma**, Powell, OH (US);  
**Jonathan Davia**, Dublin, OH (US)

(73) Assignee: **GK Packaging, Inc.**, Plain City, OH (US)

(\*\*) Term: **14 Years**

(21) Appl. No.: **29/327,261**

(22) Filed: **Nov. 3, 2008**

(51) **LOC (9) Cl.** ..... **09-01**

(52) **U.S. Cl.** ..... **D9/600**

(58) **Field of Classification Search** ..... D9/600,  
D9/636, 642, 667; D3/270-271.1; 206/457,  
206/822; 215/400; 220/890; 229/116.1-116.3;  
D23/234; D30/160

See application file for complete search history.

(56) **References Cited**

U.S. PATENT DOCUMENTS

D231,306 S \* 4/1974 Breglia ..... D23/234  
D240,062 S \* 5/1976 Satten ..... D21/483  
D328,620 S \* 8/1992 Maple ..... D21/483

5,803,110 A \* 9/1998 Segal ..... 137/68.14  
D480,243 S \* 10/2003 Edwards et al. .... D23/234  
D488,575 S \* 4/2004 Aguilera ..... D26/40  
D540,180 S \* 4/2007 Edwards ..... D9/600

\* cited by examiner

*Primary Examiner*—Sandra Morris

(74) *Attorney, Agent, or Firm*—Gallagher & Dawsey Co.,  
LPA; Michael J. Gallagher; David J. Dawsey

(57) **CLAIM**

The ornamental design for a bottle, as shown and described.

**DESCRIPTION**

FIG. 1 is a front elevational view of the claimed design, the rear elevational view being identical.

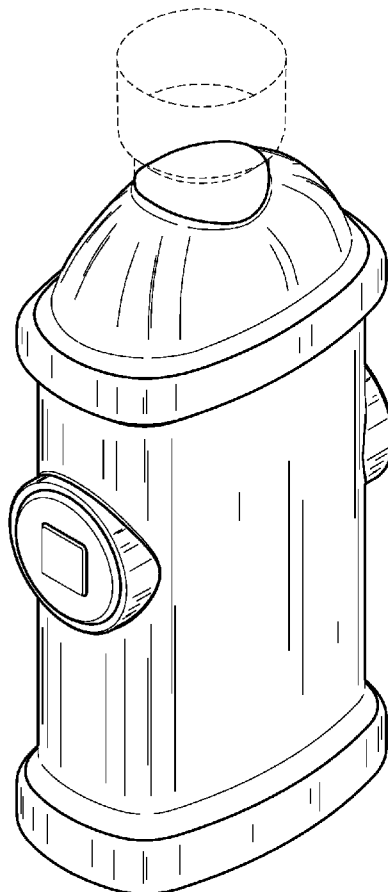
FIG. 2 is an elevation of the left side thereof, the right elevation being identical.

FIG. 3 is a perspective view of the front and left side thereof, the rear and right side perspective being identical; and,

FIG. 4 is a top plan view thereof.

The broken-line disclosure in the views is for illustrative purposes only and forms no part of the claimed design.

**1 Claim, 3 Drawing Sheets**



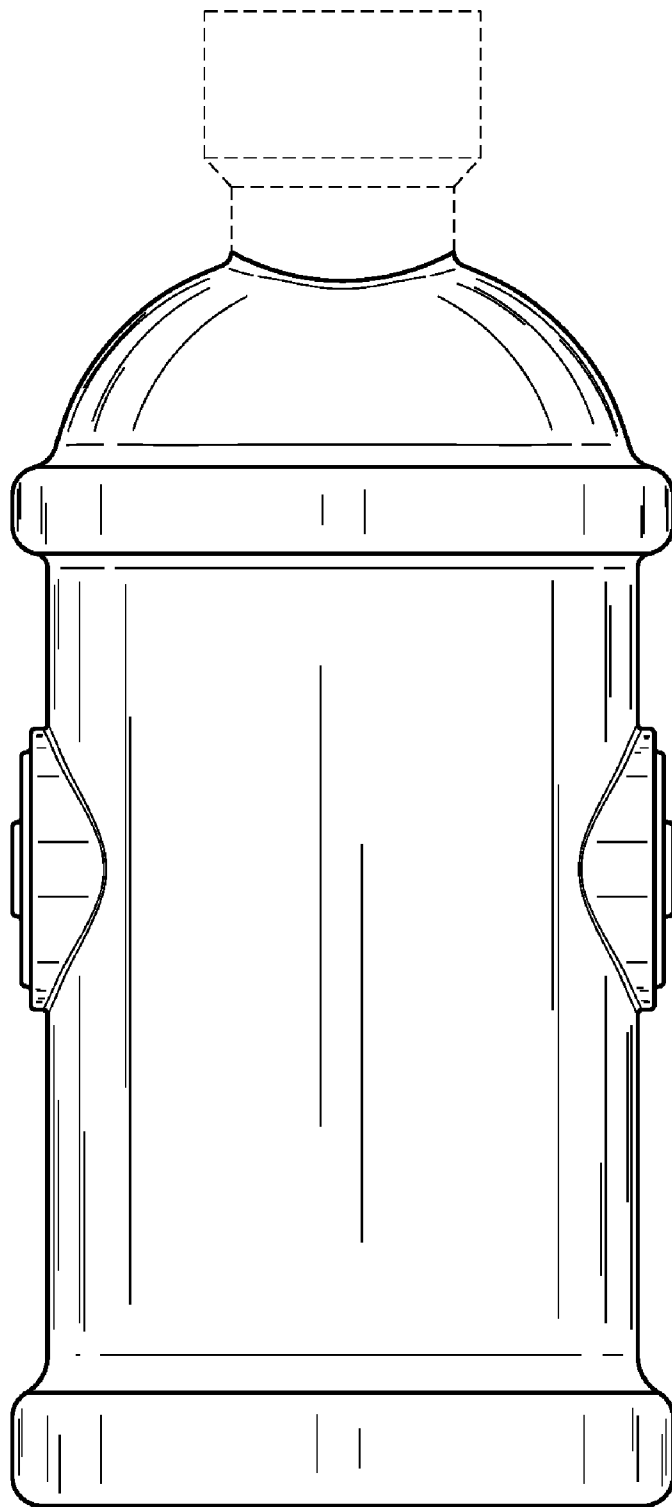


Fig. 1

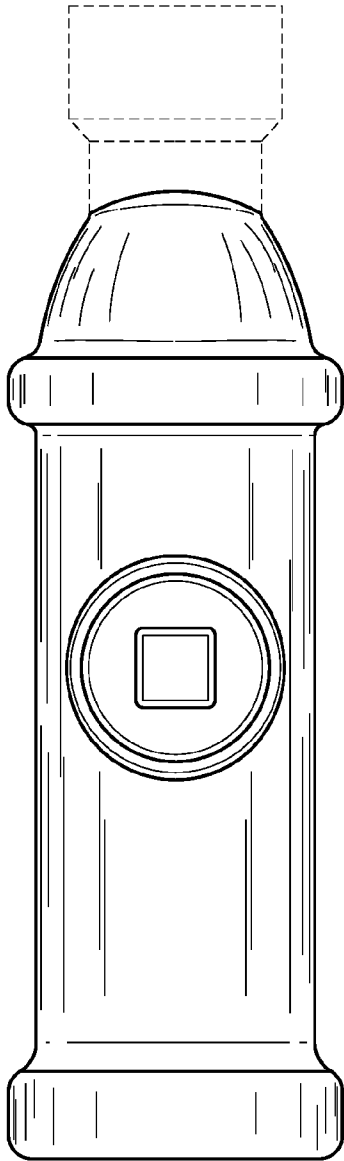


Fig. 2

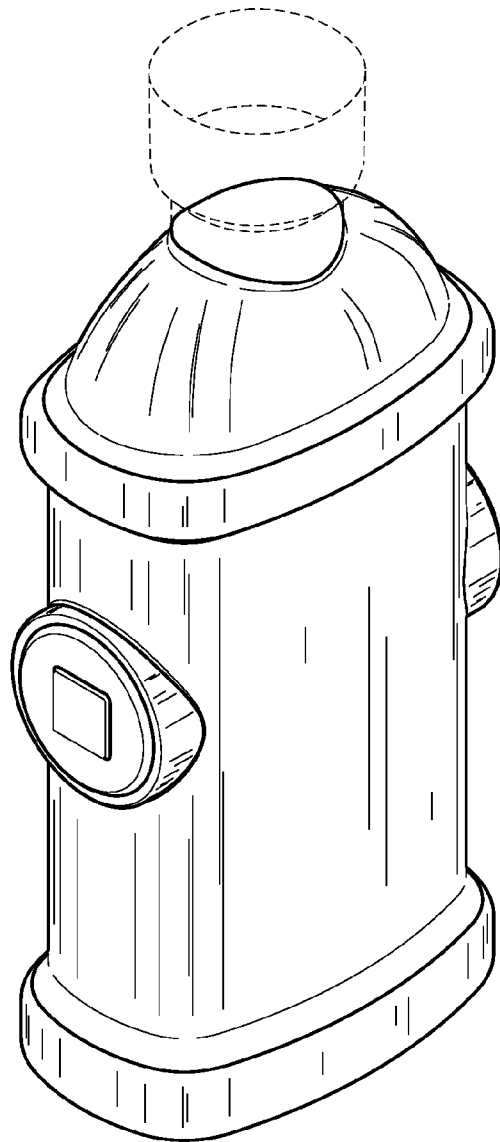


Fig. 3

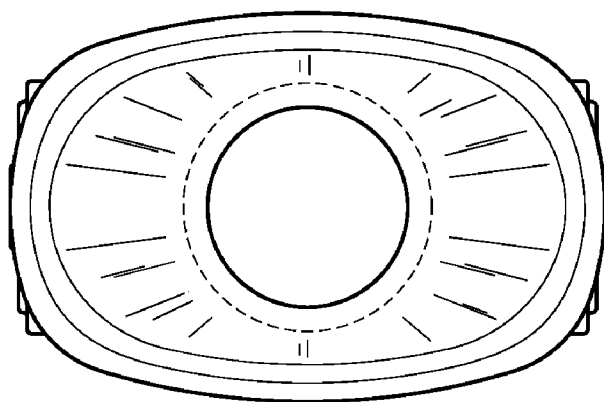


Fig. 4