



US00D658307S

(12) **United States Design Patent**
Recchi et al.

(10) **Patent No.:** **US D658,307 S**
(45) **Date of Patent:** **** Apr. 24, 2012**

(54) **DNA CAPSULE**

(76) Inventors: **Stephanie Recchi**, Amanda, OH (US);
Sean Recchi, Amanda, OH (US);
Lucinda Young, Lancaster, OH (US)

(**) Term: **14 Years**

(21) Appl. No.: **29/385,623**

(22) Filed: **Feb. 17, 2011**

(51) **LOC (9) Cl.** **24-01**

(52) **U.S. Cl.** **D24/216**

(58) **Field of Classification Search** D24/216-232,
D24/186; D10/81; 422/500, 547, 555, 556,
422/554; 435/287.1, 288.1, 288.2, 288.4,
435/287.9, 288.3

See application file for complete search history.

(56) **References Cited**

U.S. PATENT DOCUMENTS

D237,632	S	*	11/1975	Ledener	D24/224
D322,323	S	*	12/1991	Moir	D24/224
D325,259	S	*	4/1992	Andersen et al.	D24/169
D372,102	S	*	7/1996	Peacock et al.	D24/224
D430,304	S	*	8/2000	Oonuma et al.	D24/233
6,410,242	B1	*	6/2002	Lo Gerfo	435/6.16

D470,594	S	*	2/2003	Brassil et al.	D24/216
D522,145	S	*	5/2006	Best et al.	D24/224
2011/0027150	A1	*	2/2011	Tuffet et al.	422/547

* cited by examiner

Primary Examiner — Anhdao Doan

(74) *Attorney, Agent, or Firm* — Michael J. Gallagher;
David J. Dawsey; Gallagher & Dawsey Co., LPA

(57) **CLAIM**

We claim the ornamental design for a DNA capsule, as shown and described.

DESCRIPTION

FIG. 1 is an elevated perspective view of a DNA capsule showing our new design;

FIG. 2 is a rear elevation view thereof;

FIG. 3 is a front elevation view thereof;

FIG. 4 is a left elevation view thereof;

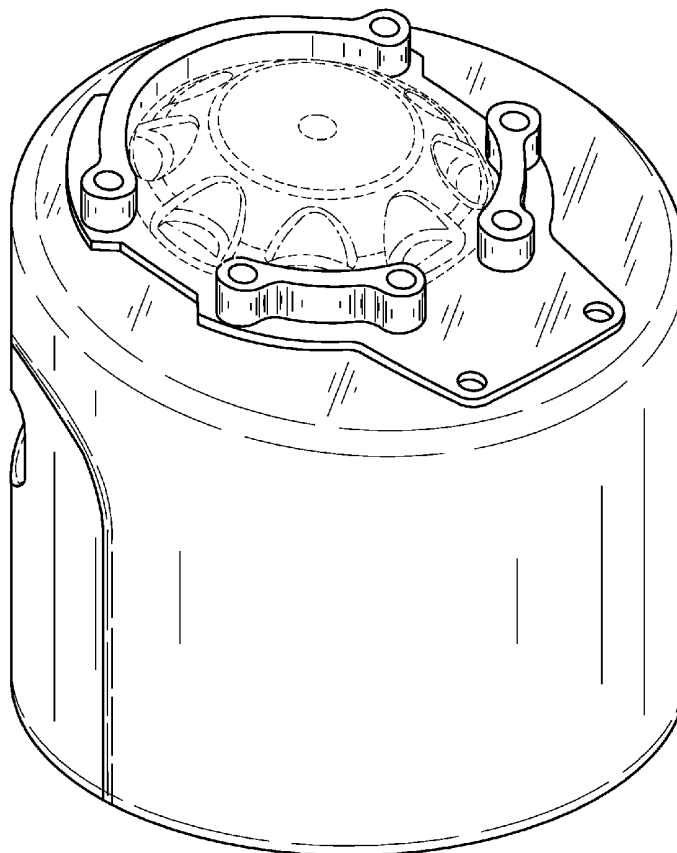
FIG. 5 is a right side elevation view thereof;

FIG. 6 is a top plan view thereof; and,

FIG. 7 is a bottom plan view thereof.

The broken line showing in the drawings of a DNA capsule is included for the purpose of illustrating environmental structure and forms no part of the claimed design.

1 Claim, 4 Drawing Sheets



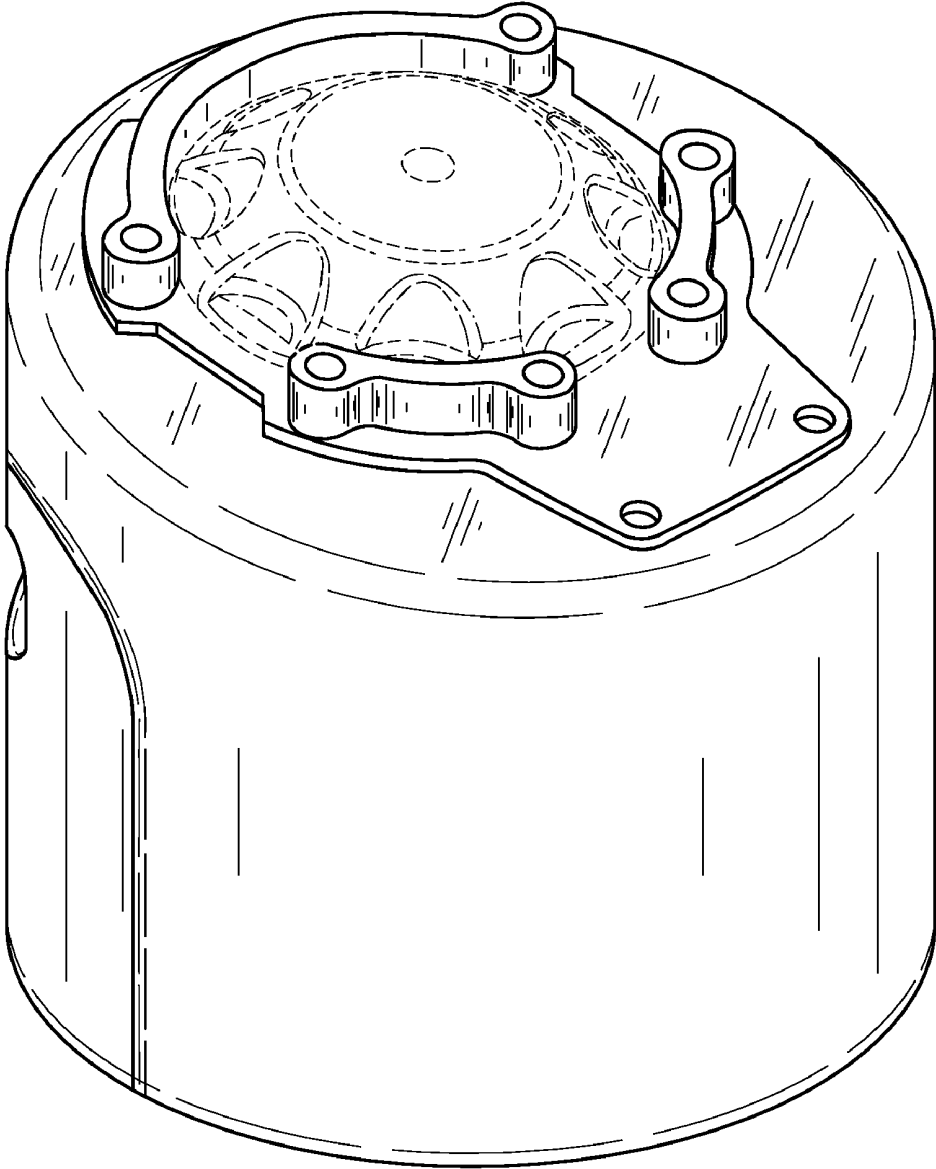


Fig. 1

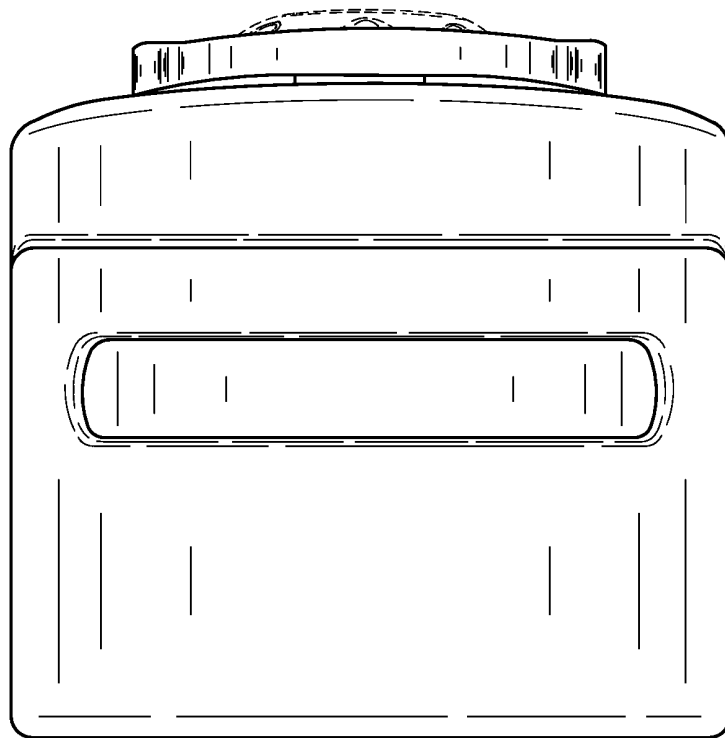


Fig. 2

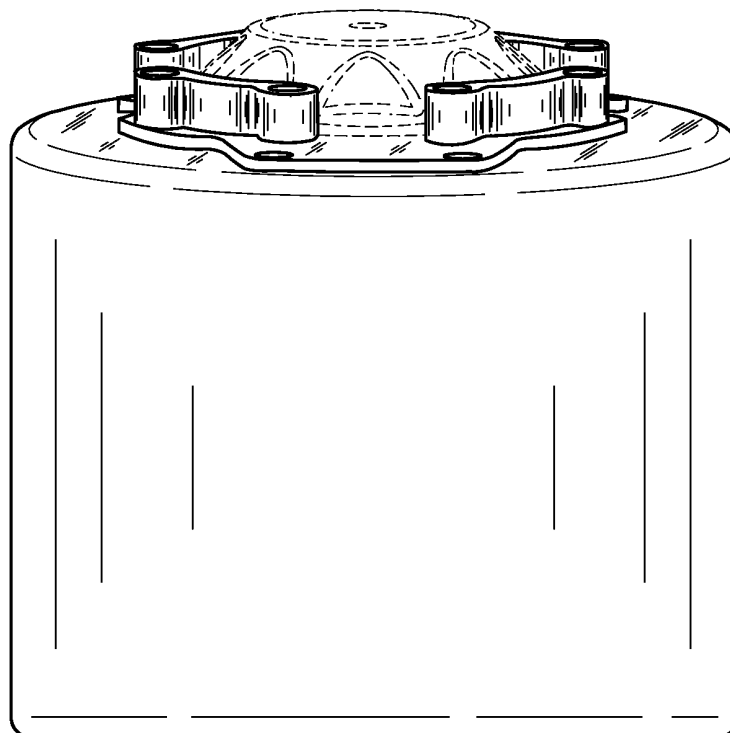


Fig. 3

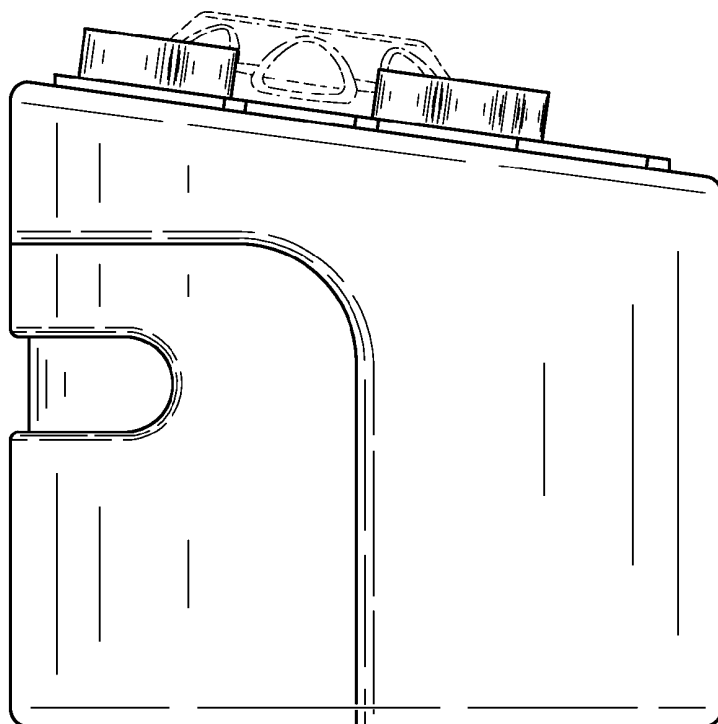


Fig. 4

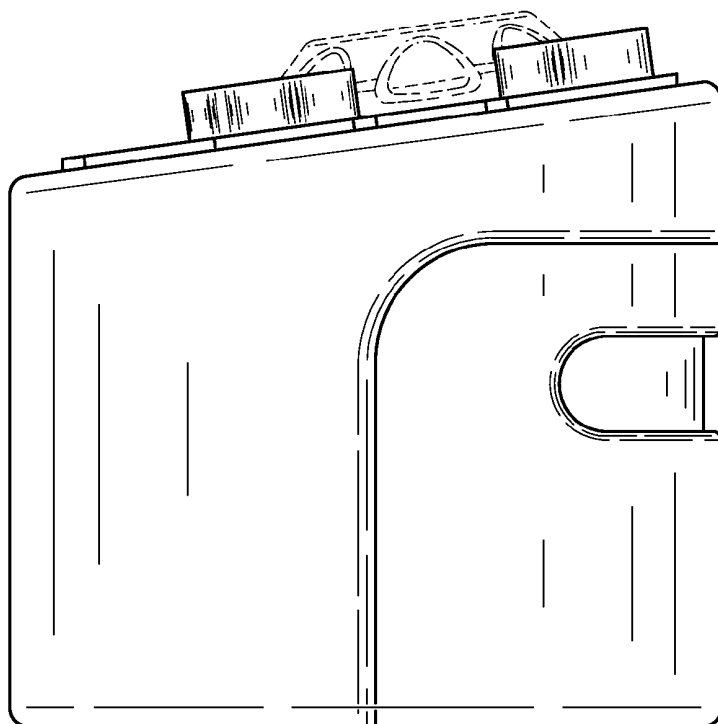


Fig. 5

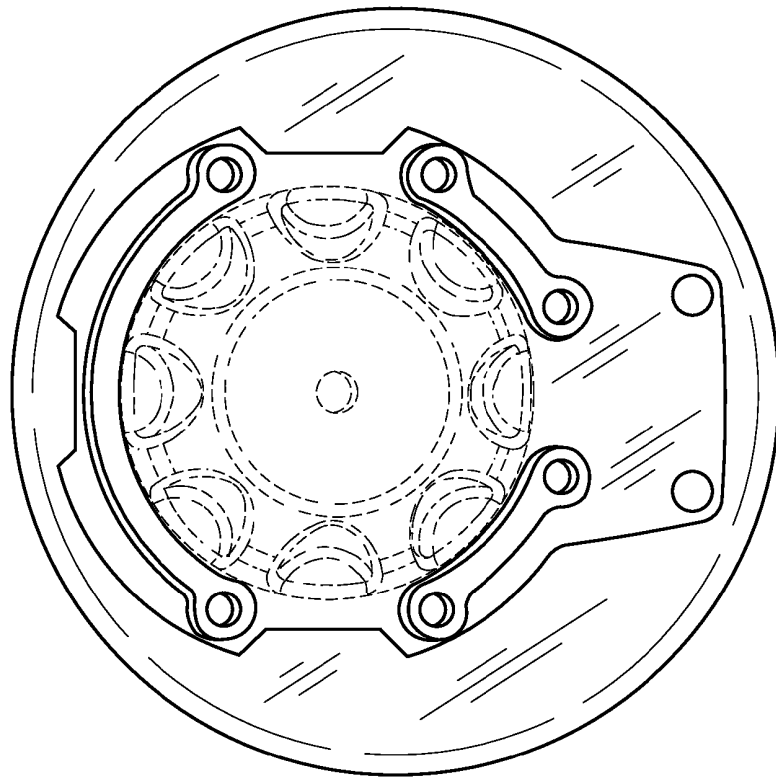


Fig. 6

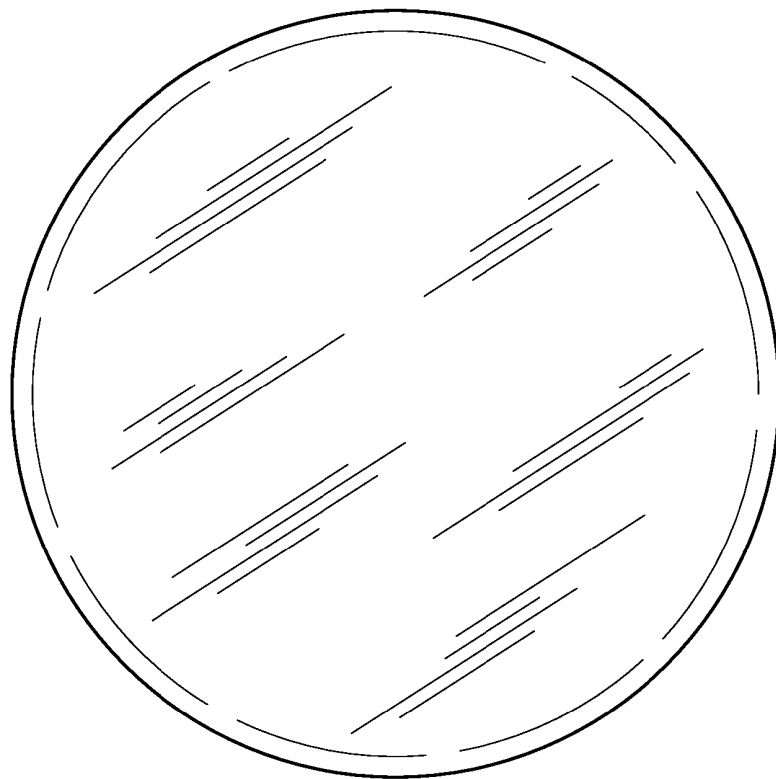


Fig. 7