



US00D587772S

(12) **United States Design Patent**
Ferguson et al.

(10) **Patent No.:** **US D587,772 S**
(45) **Date of Patent:** **** Mar. 3, 2009**

(54) **METAL WOOD GOLF CLUB HEAD**

(75) Inventors: **Gentry Ferguson**, Plano, TX (US);
John Ruggiero, McKinney, TX (US);
Jeffrey J. Albertsen, Plano, TX (US);
Michael S. Burnett, McKinney, TX (US)

(73) Assignee: **Adams Golf, L.P., LP**, Plano, TX (US)

(**) Term: **14 Years**

(21) Appl. No.: **29/302,011**

(22) Filed: **Jan. 8, 2008**

(51) **LOC (9) Cl.** **21-02**

(52) **U.S. Cl.** **D21/759**

(58) **Field of Classification Search** D21/733,
D21/752, 759; 473/324-331, 343-346
See application file for complete search history.

(56) **References Cited**

U.S. PATENT DOCUMENTS

D352,983 S *	11/1994	Williams, Jr.	D21/752
D367,094 S *	2/1996	Williams, Jr.	D21/752
D557,363 S *	12/2007	Jertson et al.	D21/752
D558,288 S *	12/2007	Jertson et al.	D21/752

D562,421 S *	2/2008	Jertson et al.	D21/752
D569,465 S *	5/2008	Yi et al.	D21/752
D569,934 S *	5/2008	Jertson et al.	D21/752
D569,935 S *	5/2008	Schweigert et al.	D21/752
D569,936 S *	5/2008	Schweigert et al.	D21/752
D570,937 S *	6/2008	Schweigert et al.	D21/752
D570,938 S *	6/2008	Jertson et al.	D21/752
D578,587 S *	10/2008	Hoffman et al.	D21/752

* cited by examiner

Primary Examiner—Mitchell I Siegel

(74) *Attorney, Agent, or Firm*—Michael J. Gallagher; David J. Dawsey; Gallagher & Dawsey Co. LPA

(57) **CLAIM**

We claim the ornamental design for a metal wood golf club head, as shown and described.

DESCRIPTION

FIG. 1 is an isometric view of a metal wood golf club head showing our new design;

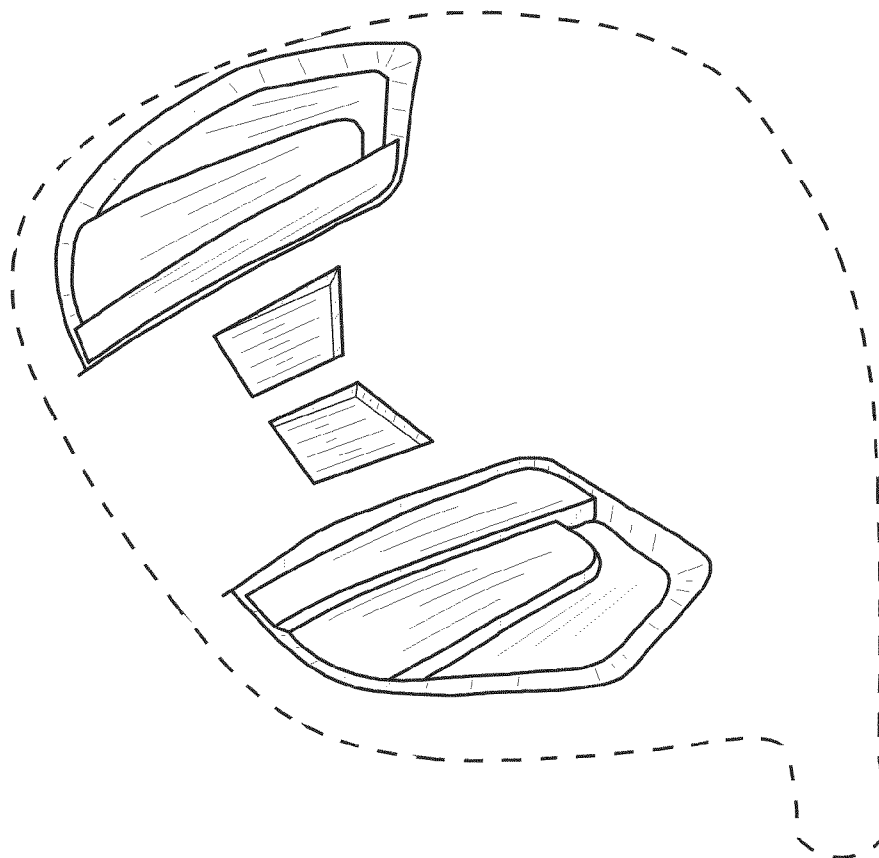
FIG. 2 is a bottom plan view thereof;

FIG. 3 is a rear elevation view thereof;

FIG. 4 is a toe side elevation view thereof; and,

FIG. 5 is a heel side elevation view thereof.

1 Claim, 3 Drawing Sheets



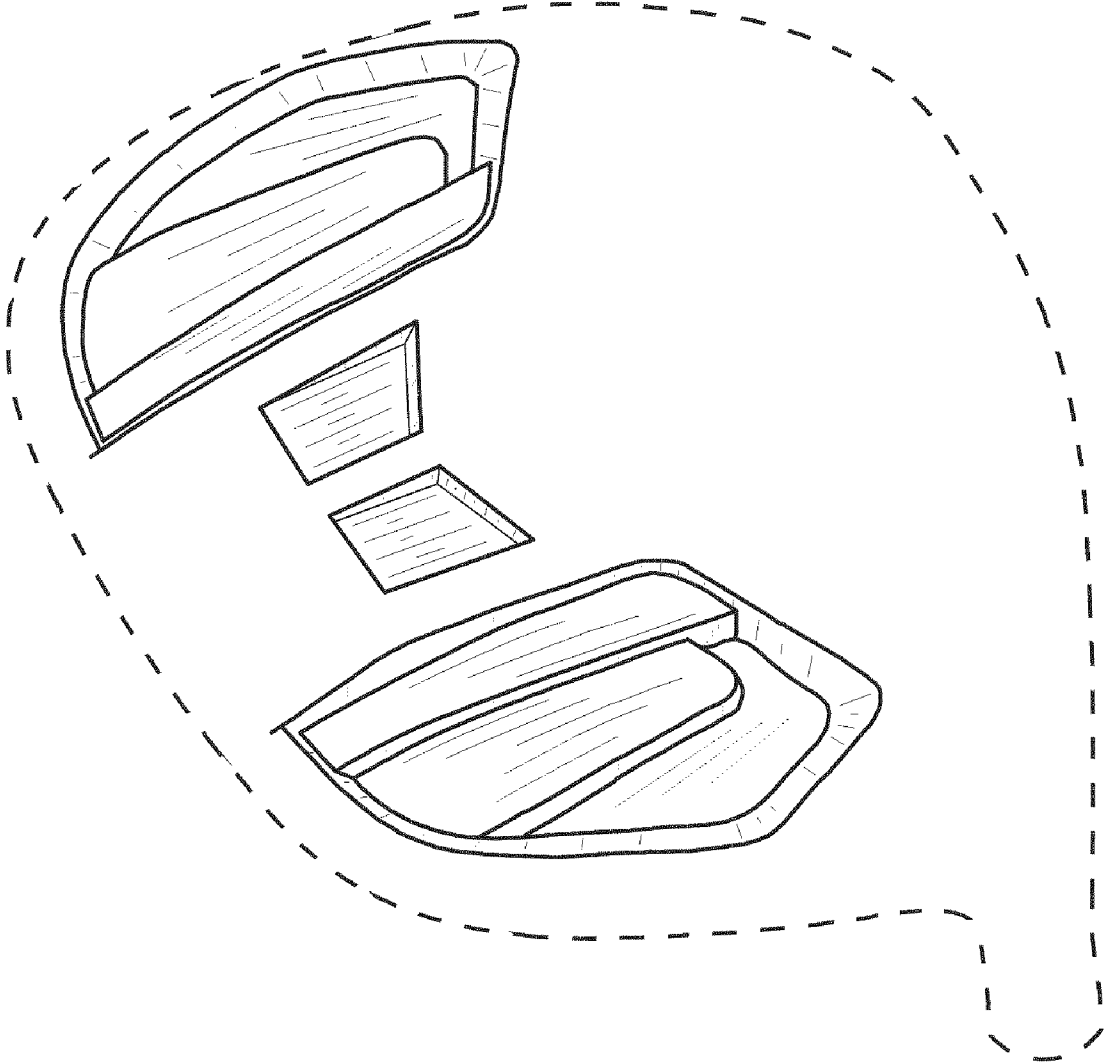


Fig. 1

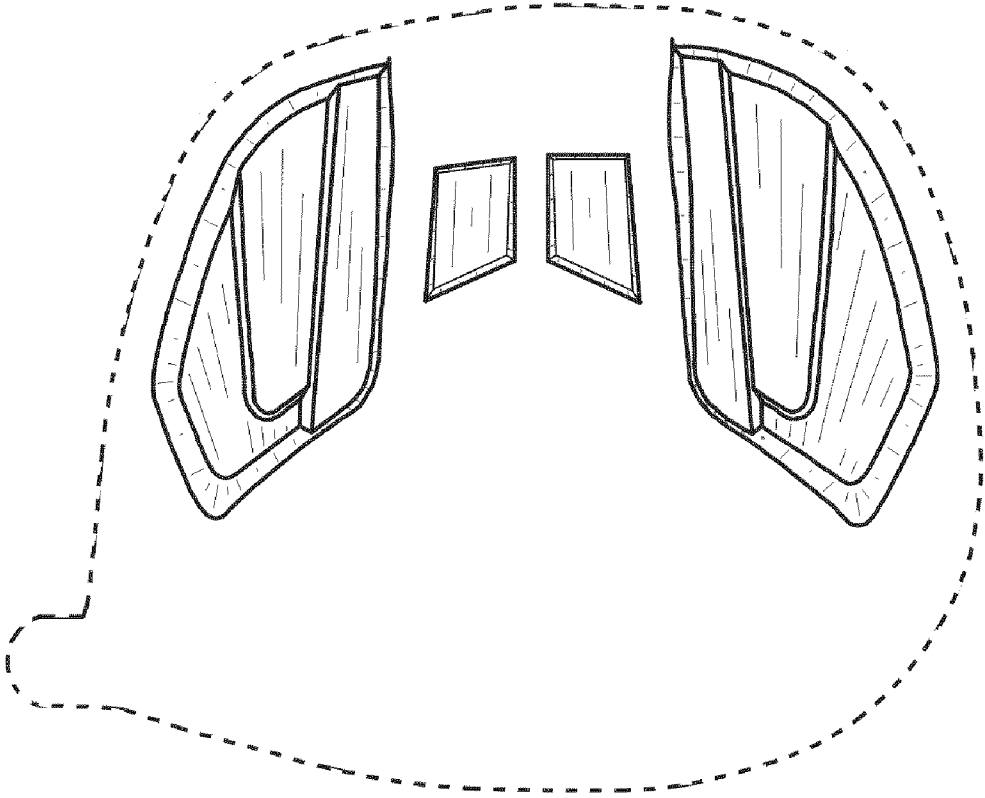


Fig. 2

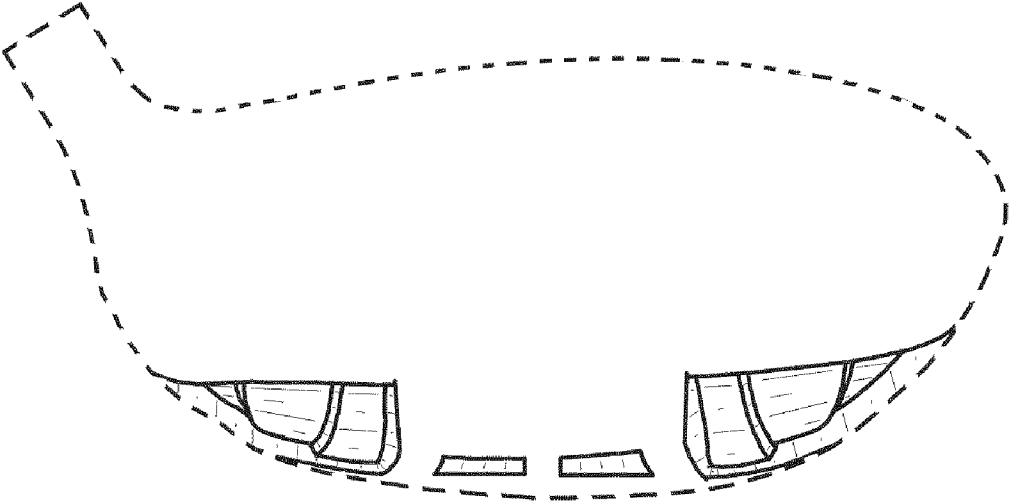


Fig. 3

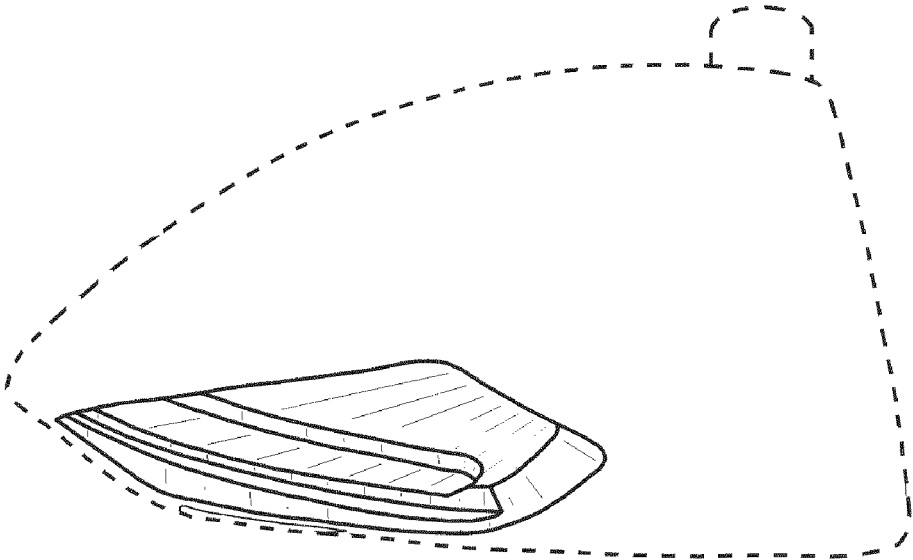


Fig. 4

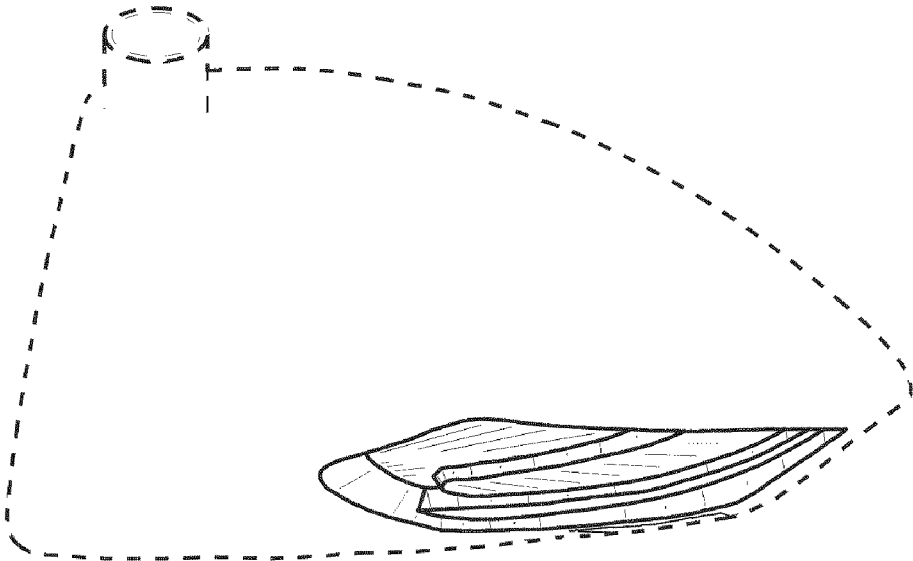


Fig. 5