



US00D618734S

(12) **United States Design Patent**
Zealer

(10) **Patent No.:** **US D618,734 S**

(45) **Date of Patent:** **** Jun. 29, 2010**

(54) **FLYING WING TOY**

(76) Inventor: **Carl Zealer**, 32 Klema Dr.,
Reynoldsburg, OH (US) 43068

(**) Term: **14 Years**

(21) Appl. No.: **29/346,506**

(22) Filed: **Nov. 2, 2009**

(51) **LOC (9) Cl.** **21-01**

(52) **U.S. Cl.** **D21/441**

(58) **Field of Classification Search** D21/436-455,
D21/458-463; D12/323, 327, 345; 446/34-68,
446/176, 186, 187, 197, 198, 201, 211, 212,
446/217, 218, 220, 222, 224, 225, 236, 255-266,
446/486, 487; 244/17.11-17.27, 21
See application file for complete search history.

(56) **References Cited**

U.S. PATENT DOCUMENTS

365,201 A *	6/1887	Richard	446/42
574,557 A *	1/1897	Moersoh	446/40
693,297 A *	2/1902	Melville	446/39
1,031,990 A *	7/1912	Essig	446/39
1,110,738 A *	9/1914	Berecz	446/255
1,479,163 A *	1/1924	Tyrrell	446/186
1,632,179 A *	6/1927	Foerster	446/37

1,994,842 A *	3/1935	Turner	446/186
2,783,584 A *	3/1957	Venturella	446/225
3,662,487 A *	5/1972	Seefluth	446/37
D245,635 S *	8/1977	Campbell	D21/441
6,305,640 B1 *	10/2001	Bansemir	244/17.21
6,530,541 B1 *	3/2003	Woo et al.	244/11

* cited by examiner

Primary Examiner—Catherine Tuttle

(74) *Attorney, Agent, or Firm*—Gallagher & Dawsey Co.,
LPA; Michael J. Gallagher; David J. Dawsey

(57) **CLAIM**

I claim the ornamental design for a flying wing toy, as shown and described.

DESCRIPTION

FIG. 1 is an isometric view of a flying wing toy showing my new design;

FIG. 2 is a front elevation view thereof;

FIG. 3 is a rear elevation view thereof;

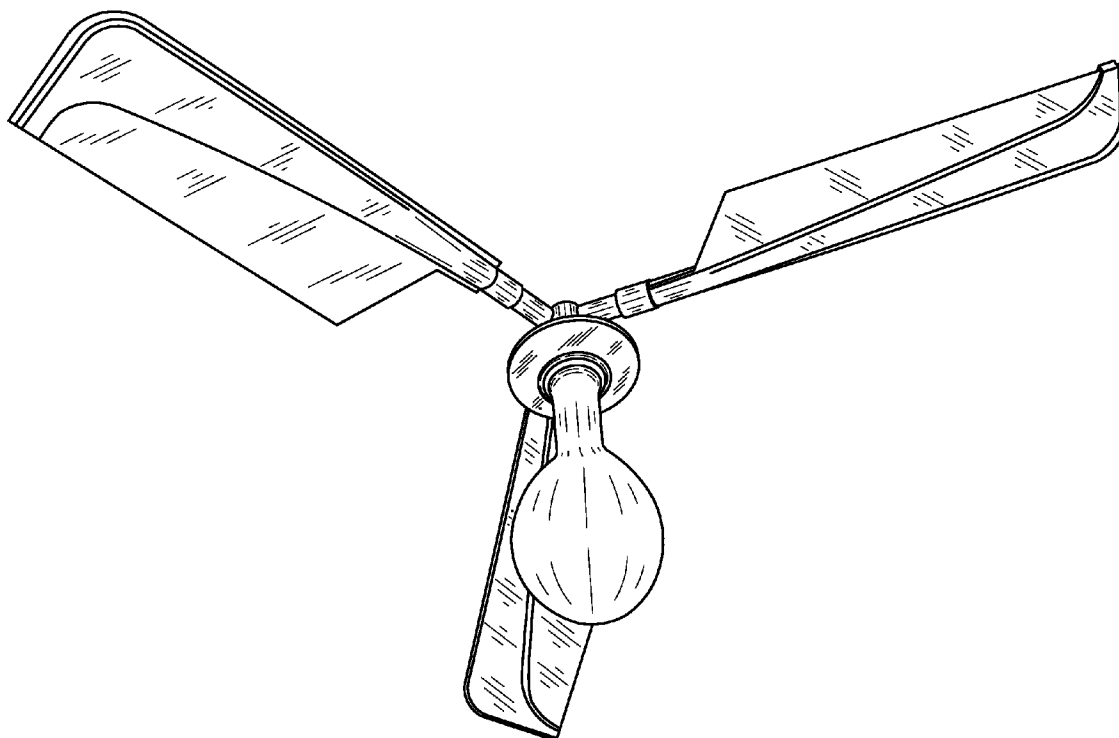
FIG. 4 is a right side elevation view thereof;

FIG. 5 is a left side elevation view thereof;

FIG. 6 is a top plan view thereof; and,

FIG. 7 is a bottom plan view thereof.

1 Claim, 4 Drawing Sheets



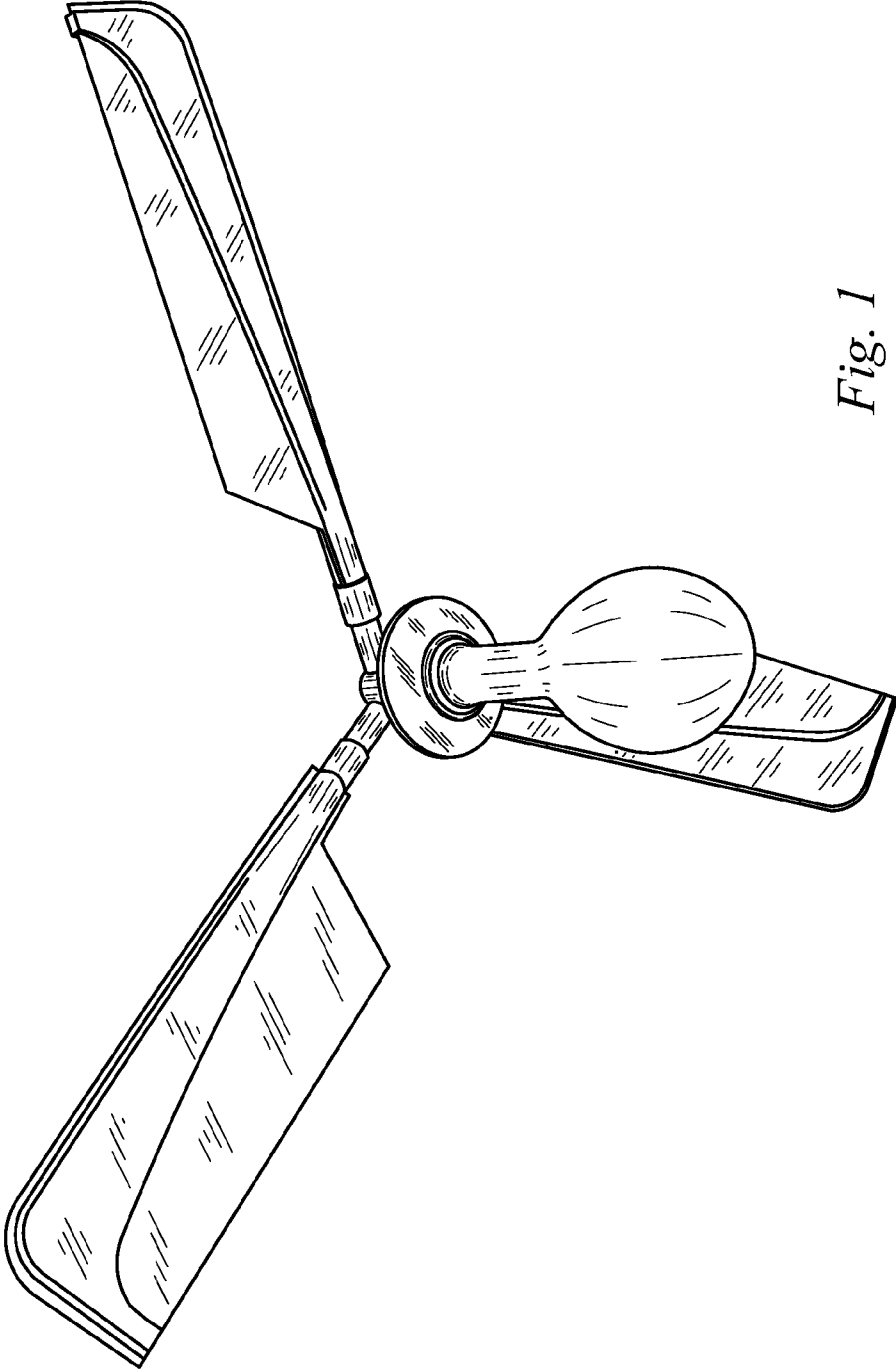


Fig. 1

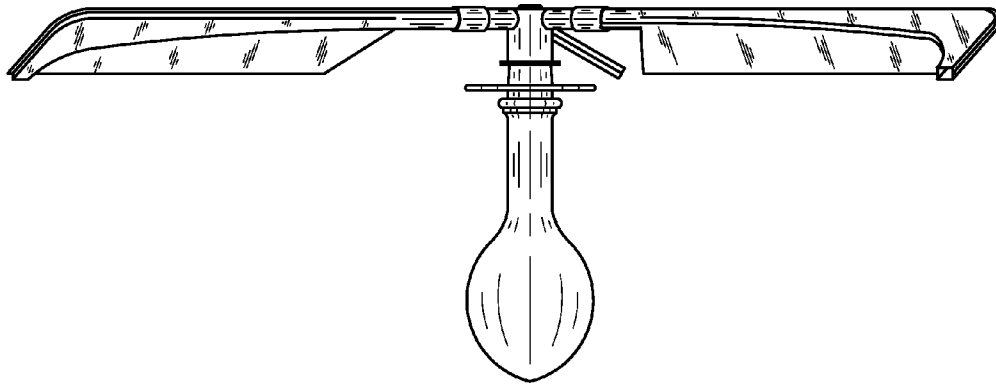


Fig. 2

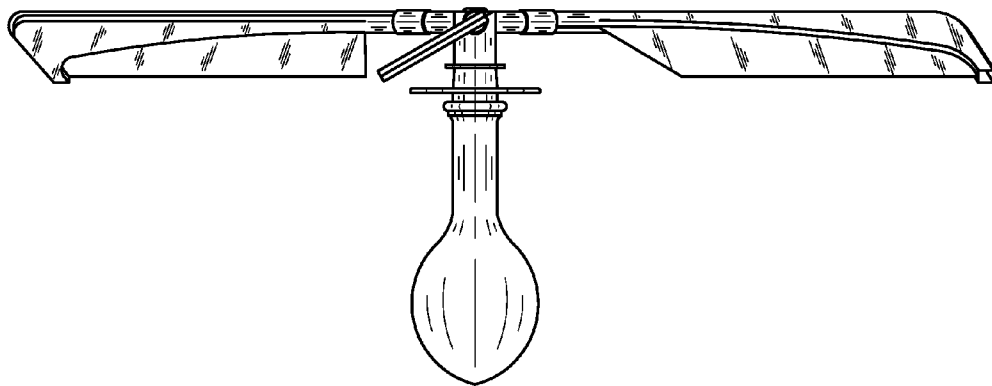


Fig. 3

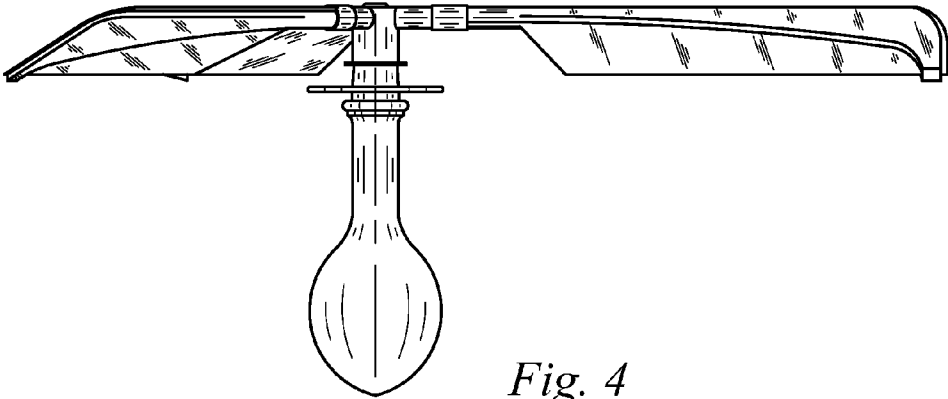


Fig. 4

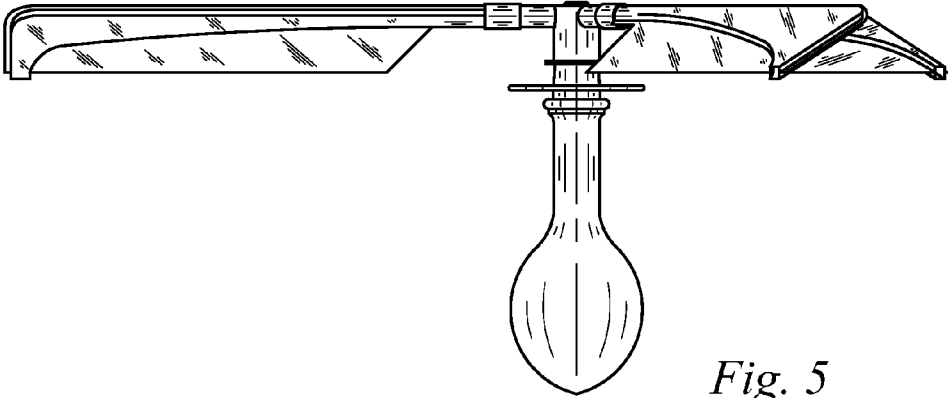


Fig. 5

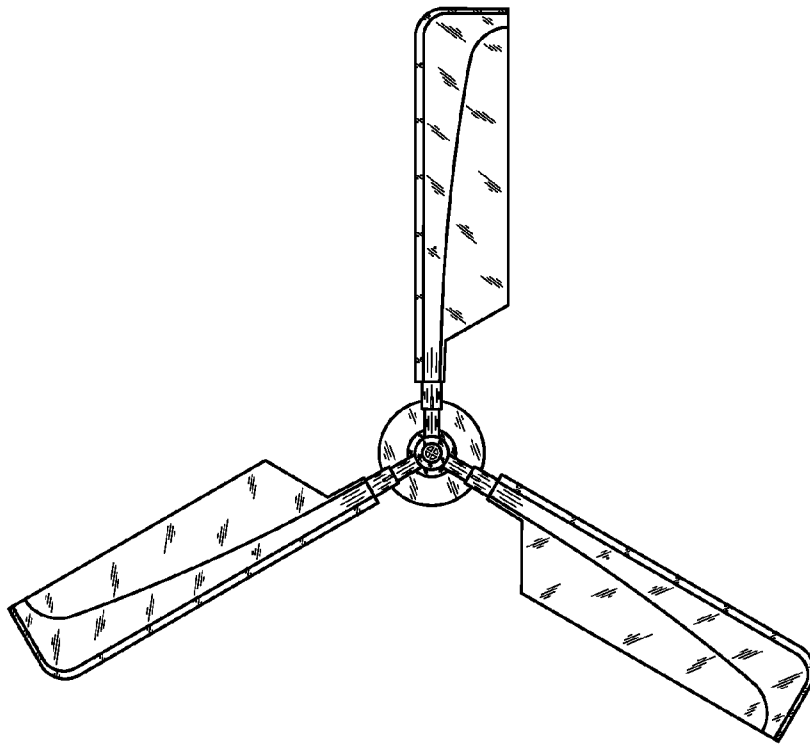


Fig. 6

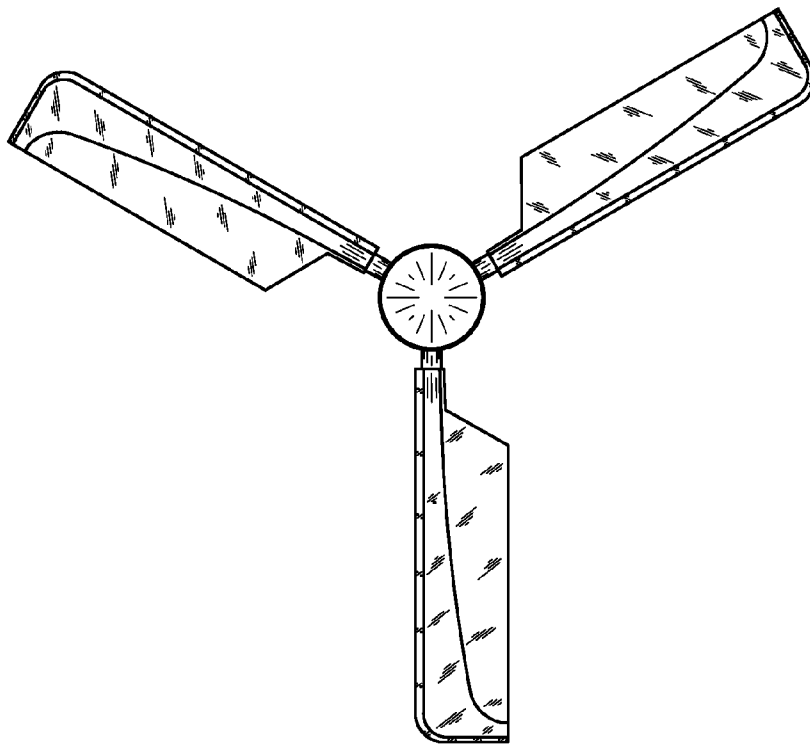


Fig. 7