



US00D622379S

(12) **United States Design Patent**
Singh

(10) **Patent No.:** **US D622,379 S**

(45) **Date of Patent:** **** Aug. 24, 2010**

(54) **CATHETER**

(75) Inventor: **Errol Singh**, Upper Arlington, OH (US)

(73) Assignee: **Percuision LLC**, Gahanna, OH (US)

(**) Term: **14 Years**

(21) Appl. No.: **29/335,936**

(22) Filed: **Apr. 24, 2009**

(51) **LOC (9) Cl.** **24-02**

(52) **U.S. Cl.** **D24/130**

(58) **Field of Classification Search** D24/112,
D24/130; 604/164.01, 164.05, 165.3, 167,
604/160, 161, 523, 264, 167.02, 272, 533,
604/525, 905, 912, 177, 83, 921, 539
See application file for complete search history.

(56) **References Cited**

U.S. PATENT DOCUMENTS

3,496,930	A	2/1970	Wappler	
3,593,713	A	7/1971	Bogoff	
D252,470	S	7/1979	Pawlak	
4,612,939	A	9/1986	Robertson	
4,738,659	A	4/1988	Sleiman	
D299,865	S	2/1989	Kamstrup-Larsen et al.	
D304,079	S	* 10/1989	McFarlane	D24/112
D318,734	S	* 7/1991	Wyzgala	D24/112
D324,101	S	2/1992	Reif et al.	
5,348,536	A	* 9/1994	Young et al.	604/43
D358,882	S	5/1995	Metz et al.	
6,033,413	A	3/2000	Mikus et al.	
6,113,576	A	* 9/2000	Dance et al.	604/164.01
6,464,686	B1	* 10/2002	O'Hara et al.	604/539

6,558,349	B1	* 5/2003	Kirkman	604/104
6,689,096	B1	* 2/2004	Loubens et al.	604/96.01
6,712,798	B2	* 3/2004	Constantz	604/284
6,730,063	B2	* 5/2004	Delaney et al.	604/173
6,916,313	B2	* 7/2005	Cunningham	604/533
7,147,627	B2	* 12/2006	Kim et al.	604/327
D546,946	S	7/2007	Blake et al.	
2004/0039348	A1	* 2/2004	Kim et al.	604/264

* cited by examiner

Primary Examiner—T. Chase Nelson
Assistant Examiner—Eric L Goodman
(74) *Attorney, Agent, or Firm*—Gallagher & Dawsey Co.,
LPA; Michael J. Gallagher; David J. Dawsey

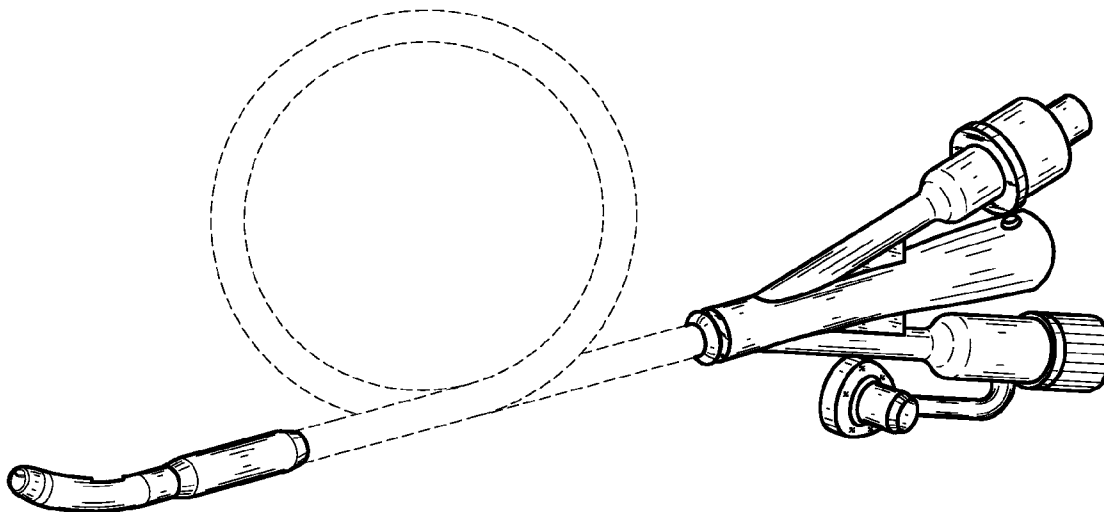
(57) **CLAIM**

I claim the ornamental design for a catheter, as shown and described.

DESCRIPTION

FIG. 1 is an isometric view of a catheter showing my new design;
FIG. 2 is a left side elevation view thereof;
FIG. 3 is a right side elevation view thereof;
FIG. 4 is a rear elevation view thereof;
FIG. 5 is a front elevation view thereof;
FIG. 6 is a top plan view thereof; and,
FIG. 7 is a bottom plan view thereof.
The broken lines are for illustrative purposes only and form no part of the claimed design.

1 Claim, 5 Drawing Sheets



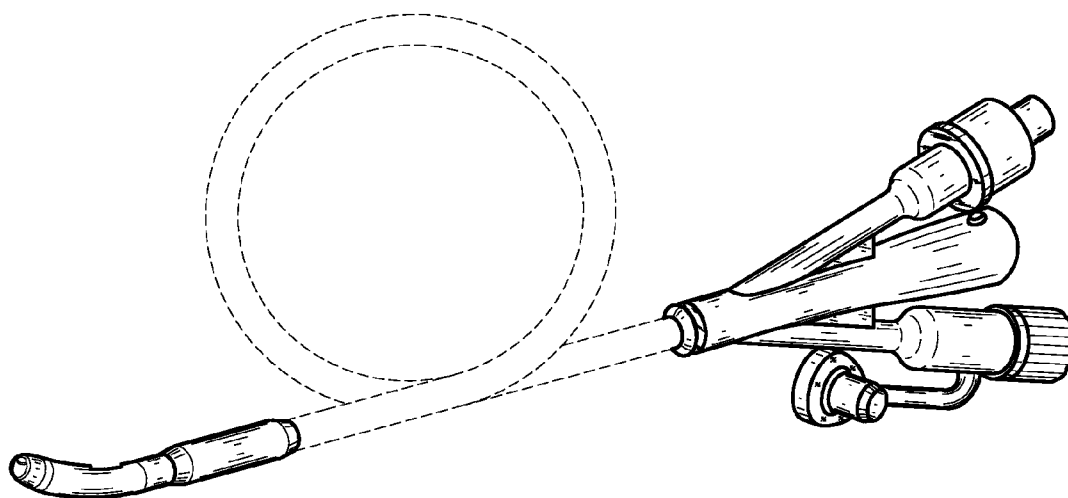


Fig. 1

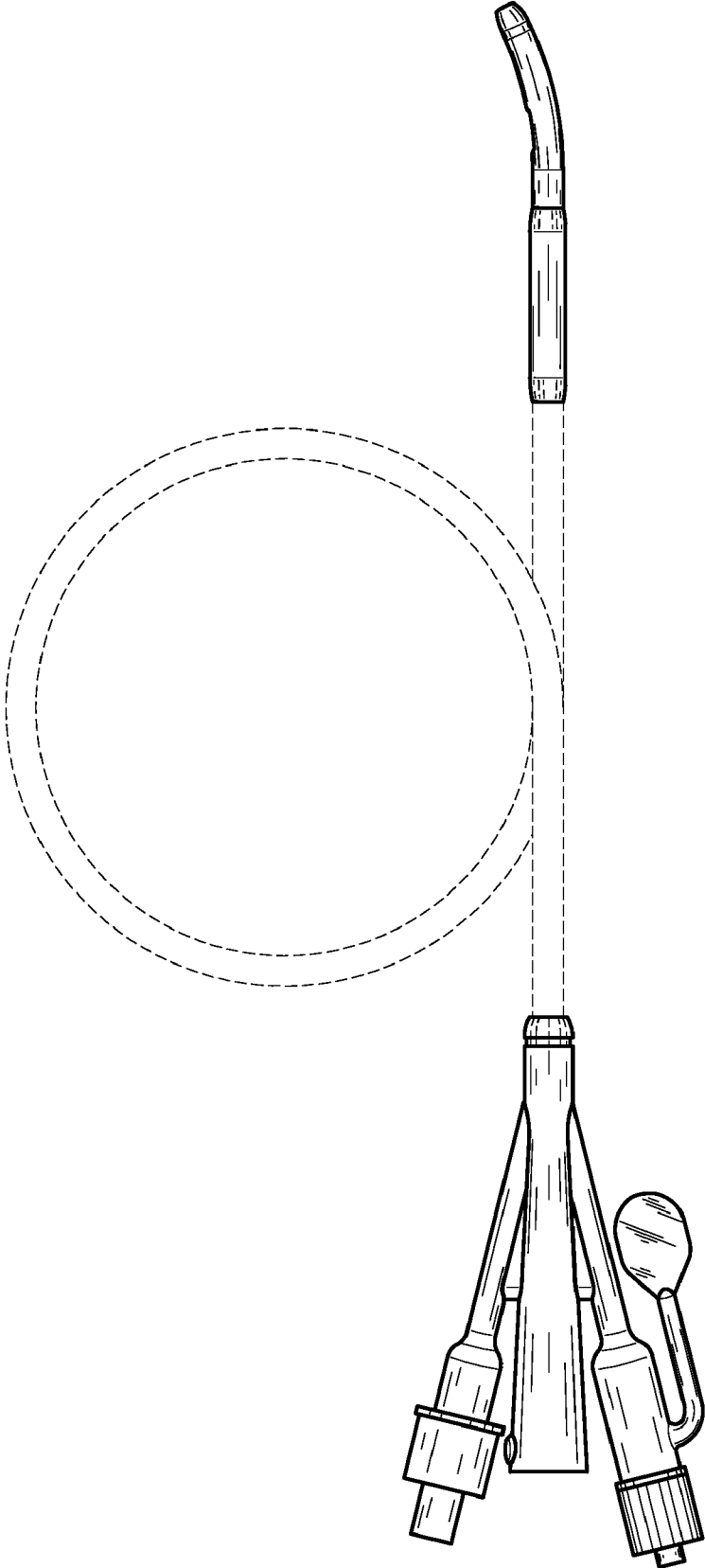


Fig. 2

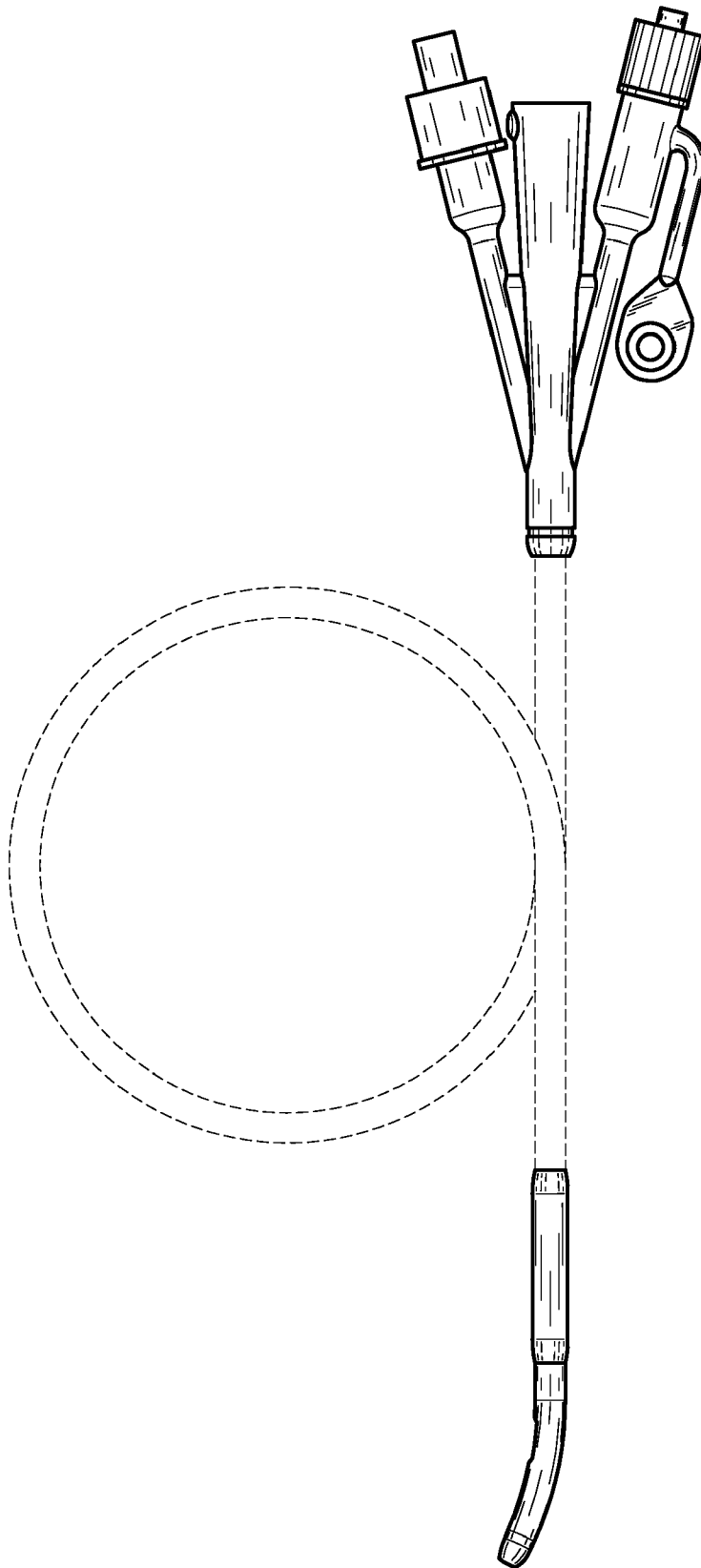


Fig. 3

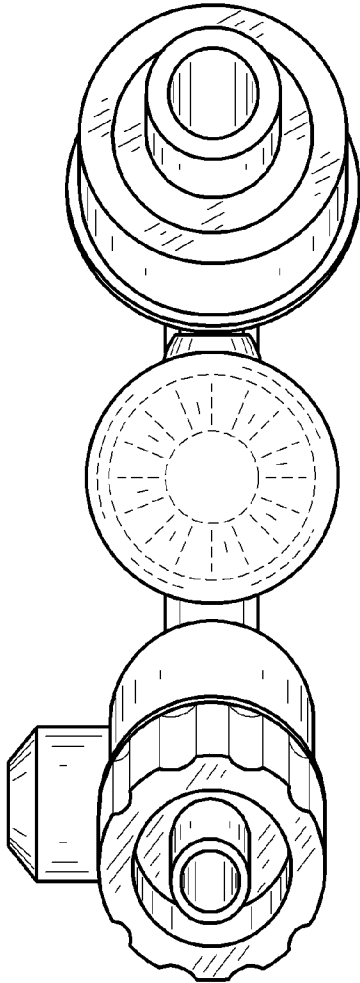


Fig. 4

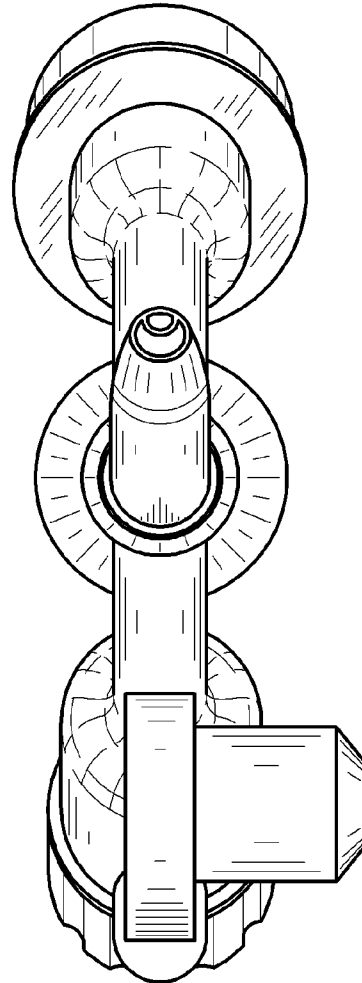


Fig. 5

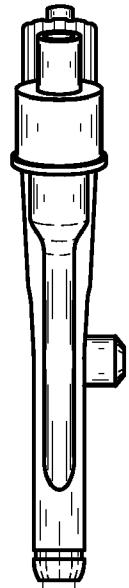


Fig. 6



Fig. 7

