



US00D632581S

(12) **United States Design Patent**
Kuzma et al.

(10) **Patent No.:** **US D632,581 S**

(45) **Date of Patent:** **** Feb. 15, 2011**

(54) **BOTTLE**

(75) Inventors: **Gene J. Kuzma**, Powell, OH (US);
Tristan O. Herstol, Dublin, OH (US)

(73) Assignee: **GK Packaging, Inc.**, Plain City, OH (US)

(**) Term: **14 Years**

(21) Appl. No.: **29/345,345**

(22) Filed: **Oct. 14, 2009**

(51) **LOC (9) Cl.** **09-01**

(52) **U.S. Cl.** **D9/558; D9/573**

(58) **Field of Classification Search** D9/434,
D9/516, 520, 545, 549, 550, 558, 572, 573,
D9/574; 215/379, 381-385; 220/600, 604,
220/608, 609, 610, 660, 669, 670, 674, 675
See application file for complete search history.

(56) **References Cited**

U.S. PATENT DOCUMENTS

D21,382 S	3/1892	Hannold	
544,791 A *	8/1895	Nicholson et al.	220/592.12
D28,182 S	1/1898	Whitall	
D37,819 S	2/1906	Bradley	
882,864 A	3/1908	Burke	
D52,472 S	9/1918	Corey	
D94,189 S	1/1935	Cassedy	
D97,176 S	10/1935	Clevenger	
D97,178 S	10/1935	Clevenger	
D101,919 S	11/1936	Leech	
D104,546 S	5/1937	Topping	
D106,370 S	10/1937	Pancoast	
D106,628 S	10/1937	Leach, Jr.	
D143,421 S	1/1946	Gasner	
2,586,687 A	2/1952	Mellon	
D176,226 S	11/1955	Morris	
D189,460 S	12/1960	Richter	
D192,535 S	4/1962	Laudano	
D193,311 S	7/1962	Buckley	
D195,230 S	5/1963	Dubbs	
D196,990 S	11/1963	Dubbs	

D198,405 S	6/1964	Racknagel	
D198,407 S	6/1964	Busch	
D201,997 S	8/1965	Ludetke	
D204,707 S	5/1966	Abbott	
3,342,379 A	9/1967	Foley	
D209,097 S	10/1967	Stehl	
D211,509 S	6/1968	Vanderhyde	
D213,355 S	2/1969	Kneapler	
D213,421 S	3/1969	Leary	
D214,554 S	7/1969	Ottman	
3,474,927 A *	10/1969	Bowles	215/383
D217,439 S	5/1970	Platte	
D219,366 S	12/1970	Lewis, Jr. et al.	
D222,530 S	11/1971	Luedtke	
D225,834 S	1/1973	Kneapler	
3,732,999 A *	5/1973	Roukles	215/6
D227,344 S	6/1973	Lerner	
D234,682 S	4/1975	Quintal	

(Continued)

Primary Examiner—Stella M Reid
Assistant Examiner—Elizabeth J Oswecki
(74) *Attorney, Agent, or Firm*—Gallagher & Dawsey Co.,
LPA; Michael J. Gallagher; David J. Dawsey

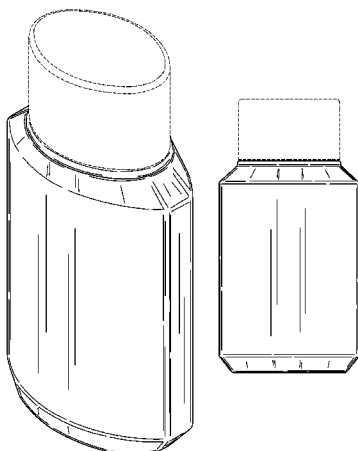
(57) **CLAIM**

We claim the ornamental design for a bottle, as shown and described.

DESCRIPTION

FIG. 1 is a perspective view of a bottle showing our new design;
FIG. 2 is a front elevation view thereof;
FIG. 3 is a rear elevation view thereof;
FIG. 4 is a left side elevation view thereof;
FIG. 5 is a right side elevation view thereof;
FIG. 6 is a top plan view thereof; and,
FIG. 7 is a bottom plan view thereof.
The broken lines are for illustrative purposes only and form no part of the claimed design.

1 Claim, 4 Drawing Sheets



US D632,581 S

Page 2

U.S. PATENT DOCUMENTS								
3,874,562	A	4/1975	Hazard	D393,596	S	4/1998	Kotyuk	
D238,555	S	1/1976	Blank	D395,396	S *	6/1998	Kuzma et al.	D9/542
D239,698	S *	4/1976	Utley	D396,191	S	7/1998	Kuzma et al.	
D246,953	S	1/1978	Britt	5,785,178	A *	7/1998	Kvitrud et al.	206/459.1
D247,221	S	2/1978	Landor et al.	D397,608	S	9/1998	Fiore	
D248,088	S	6/1978	Britt	D398,239	S	9/1998	Bertolini et al.	
D249,464	S *	9/1978	Smali	D398,244	S	9/1998	Bertolini et al.	
D254,651	S	4/1980	Shortino	D398,853	S	9/1998	Phillips	
D254,652	S	4/1980	Shortino	5,816,451	A	10/1998	Renault	
D254,711	S	4/1980	Shortino	D403,592	S	1/1999	Everard et al.	
D254,713	S	4/1980	Shortino	D405,015	S *	2/1999	Kotyuk	D9/573
D254,773	S *	4/1980	Kretz	D408,740	S	4/1999	Jones et al.	
D255,543	S	6/1980	Shortino	D409,092	S	5/1999	Beasley	
D255,652	S	7/1980	Kretz	D411,804	S	7/1999	Zaragoza	
D256,555	S	8/1980	Beeman	D412,851	S	8/1999	Nosella	
D257,504	S	11/1980	Weckman	D413,807	S	9/1999	Mikla	
D258,117	S	2/1981	Bashour	5,954,213	A	9/1999	Gerhart et al.	
D259,542	S	6/1981	Shortino	D415,037	S	10/1999	Pritchard et al.	
D261,107	S	10/1981	Harris	D417,624	S	12/1999	Herrmann et al.	
D263,281	S	3/1982	Smith	D419,889	S	2/2000	Kuzma et al.	
D266,990	S	11/1982	Cook	D422,506	S	4/2000	Cummings	
D268,647	S	4/1983	Kingsford	D423,370	S	4/2000	Lewin	
D268,907	S *	5/1983	Sledge	D424,448	S	5/2000	Weber	
D273,564	S	4/1984	Spielhoff	D425,408	S	5/2000	Bakic	
D281,863	S	12/1985	Beechuk et al.	D425,429	S	5/2000	Weber	
D282,052	S *	1/1986	Beaver et al.	D427,073	S	6/2000	Gaffney	
D282,443	S *	2/1986	Beaver et al.	6,077,579	A *	6/2000	De Laforcade	428/35.7
D288,905	S	3/1987	Platte, Sr.	D428,343	S	7/2000	Waitzenegger	
D306,695	S	3/1990	Smith	D428,578	S	7/2000	Waitzenegger	
D308,337	S	6/1990	Weckman	D429,629	S *	8/2000	Kuzma et al.	D9/682
D309,714	S *	8/1990	Biesecker	D429,649	S	8/2000	Kotyuk	
D310,329	S	9/1990	Schmidt	D432,920	S	10/2000	Johnson et al.	
D312,779	S	12/1990	Tacconelli	D433,637	S	11/2000	Hailey et al.	
D317,259	S	6/1991	Schmidt	D433,947	S	11/2000	Ewing, Jr.	
D321,131	S	10/1991	Wiseman et al.	D437,559	S	2/2001	Fenton et al.	
D322,937	S	1/1992	Dinand	D437,775	S	2/2001	Dalmau	
D324,820	S	3/1992	Hayman et al.	D438,118	S	2/2001	Dalmau	
D324,998	S	3/1992	Klapwald	D439,518	S	3/2001	Gavin	
D336,246	S	6/1993	Narvaez	D439,843	S	4/2001	Dalmau	
D336,733	S *	6/1993	Hadtke	D441,293	S	5/2001	Togasawa	
D346,964	S	5/1994	Green	D444,389	S	7/2001	Bakic	
D347,388	S	5/1994	Crawford	D444,390	S	7/2001	Kokenge et al.	
D347,389	S	5/1994	Crawford	D446,459	S	8/2001	Weber	
D347,794	S	6/1994	Lewis	D447,694	S	9/2001	Leggett	
D348,388	S *	7/1994	Kuzma	D448,678	S	10/2001	Bakic	
D349,857	S	8/1994	Lonczak et al.	D448,999	S	10/2001	Weber	
D350,691	S	9/1994	Simion	D450,597	S	11/2001	Bobchenok et al.	
D352,462	S	11/1994	Rupert	6,321,923	B1	11/2001	Wood	
D353,775	S	12/1994	Thompson	D452,157	S	12/2001	White et al.	
5,392,937	A	2/1995	Prevot et al.	D452,446	S	12/2001	Shear	
D356,038	S	3/1995	Biesecker	D455,648	S	4/2002	Cummings	
D357,418	S	4/1995	Lonczak et al.	D455,655	S	4/2002	Bunce	
D360,831	S	8/1995	Boisset	D457,069	S	5/2002	Palaia	
D368,859	S	4/1996	LoPreto	D458,149	S	6/2002	Cummings	
D369,980	S	5/1996	Dinand	D458,847	S	6/2002	Kuzma et al.	
D372,675	S *	8/1996	Pollard et al.	D459,212	S	6/2002	Gobe	
D372,873	S	8/1996	Lathrop	D459,659	S	7/2002	Chung	
5,542,585	A	8/1996	Peters et al.	D459,996	S	7/2002	Kuzma et al.	
D373,536	S	9/1996	Kokenge et al.	D463,474	S	9/2002	Kawashima	
D375,051	S	10/1996	Lathrop et al.	D468,643	S	1/2003	Kuzma et al.	
D376,310	S	12/1996	Crawford	D468,644	S	1/2003	Kuzma et al.	
D376,762	S *	12/1996	Fenton et al.	D469,022	S	1/2003	Kuzma et al.	
5,598,941	A	2/1997	Semersky et al.	D469,214	S	1/2003	Balko	
D378,665	S	4/1997	Fenton et al.	D470,772	S	2/2003	Egger	
D381,895	S	8/1997	Cheng	D471,111	S	3/2003	Weaver et al.	
D382,209	S	8/1997	Fenton et al.	D471,461	S	3/2003	McGowan	
D382,808	S *	8/1997	Fenton et al.	D472,154	S	3/2003	Peon et al.	
D386,090	S	11/1997	Giovellina	D475,298	S	6/2003	Corrigan et al.	
D392,895	S	3/1998	Kuzma et al.	D480,002	S	9/2003	Canepa	
D392,897	S	3/1998	Biesecker et al.	D481,950	S	11/2003	Bakic	
D393,202	S	4/1998	Bertolini et al.	D486,065	S	2/2004	Hutchinson et al.	
				D489,267	S	5/2004	Rennie et al.	
				D496,283	S	9/2004	Busa, Jr.	

US D632,581 S

D496,867 S	10/2004	Kuzma et al.	D538,678 S	3/2007	Cummings et al.
D497,312 S	10/2004	Anderson et al.	D540,185 S	4/2007	Cummings et al.
D498,670 S	11/2004	Cummings et al.	D541,162 S	4/2007	Pleines et al.
D500,954 S	1/2005	Kuzma et al.	D541,664 S *	5/2007	Galdini D9/574
D501,141 S	1/2005	Bakic	D542,661 S	5/2007	Adler et al.
D502,400 S	3/2005	Cinquino et al.	D547,190 S	7/2007	Kuzma et al.
D505,079 S	5/2005	Mulder et al.	D551,555 S	9/2007	Escobosa et al.
D509,148 S	9/2005	Wilson et al.	D553,001 S	10/2007	Granitz
D510,030 S	9/2005	Storz et al.	D555,498 S *	11/2007	Bansal et al. D9/558
6,964,345 B2 *	11/2005	Wetherell et al. 215/10	D556,056 S	11/2007	Thomas et al.
D513,993 S	1/2006	Boyd	D558,575 S	1/2008	Van Der Krogt et al.
D514,448 S	2/2006	Kuzma et al.	D558,580 S	1/2008	Kuzma et al.
6,997,337 B1 *	2/2006	Wurster 215/382	D559,114 S	1/2008	Breitlander
D521,386 S	5/2006	Priestman	D562,139 S	2/2008	Crabtree et al.
D522,867 S	6/2006	Bakic	D562,140 S	2/2008	Crabtree et al.
D523,756 S *	6/2006	Considine et al. D9/573	D563,793 S	3/2008	Nomoto
D524,657 S	7/2006	Harris et al.	D567,664 S	4/2008	Rica
D525,872 S	8/2006	Haubert et al.	D569,730 S	5/2008	Crabtree et al.
D525,873 S	8/2006	Haubert et al.	D578,395 S	10/2008	Kuzma et al.
D526,200 S	8/2006	Bakic	D578,406 S	10/2008	Kuzma et al.
D526,204 S	8/2006	Stolle	D581,276 S	11/2008	Kuzma et al.
D527,636 S	9/2006	Bakic	D585,750 S	2/2009	Kuzma et al.
D529,388 S	10/2006	Bakic	D606,865 S *	12/2009	Huntington et al. D9/516
D529,393 S *	10/2006	Bakic D9/574	D615,415 S *	5/2010	Holmes et al. D9/541
D529,810 S	10/2006	Davies et al.	D619,471 S *	7/2010	Graunstadt et al. D9/556
D535,887 S	1/2007	Haubert, III et al.	2004/0206718 A1 *	10/2004	Wetherell et al. 215/10
D535,888 S	1/2007	Kuzma et al.	2008/0314859 A1 *	12/2008	Rim et al. 215/316
D535,891 S	1/2007	Varlet			

* cited by examiner

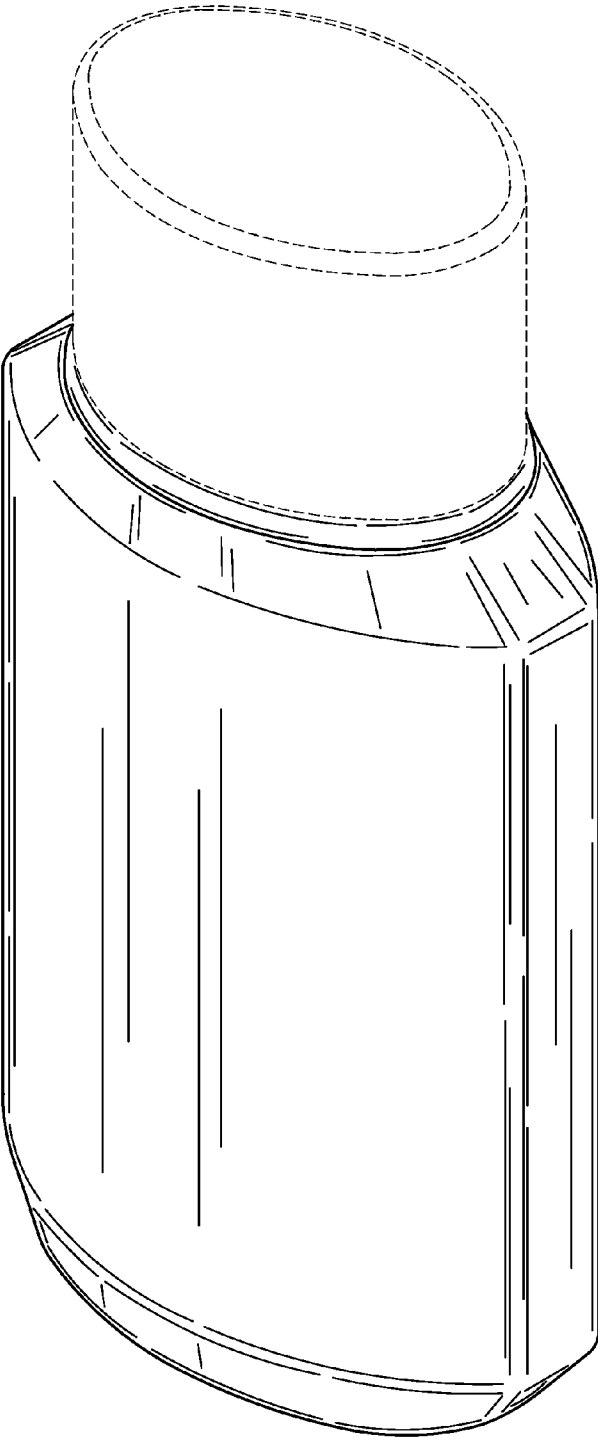


Fig. 1

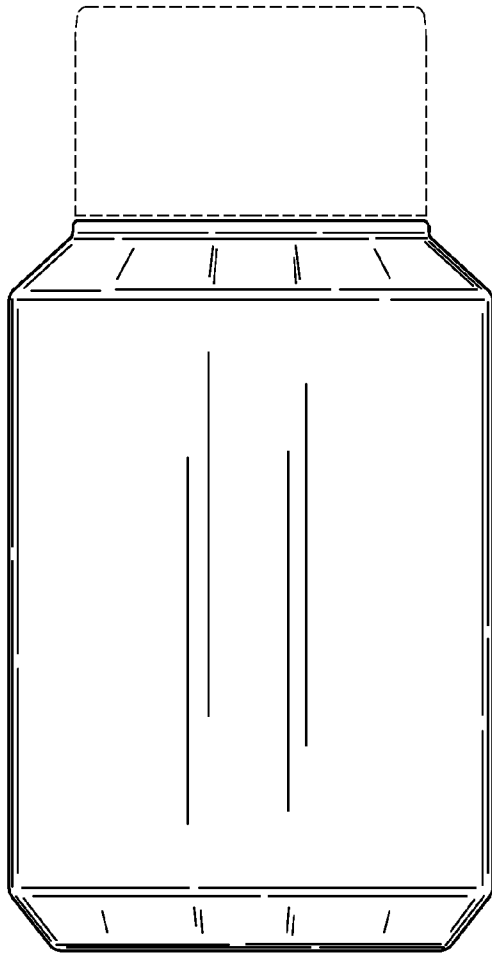


Fig. 2

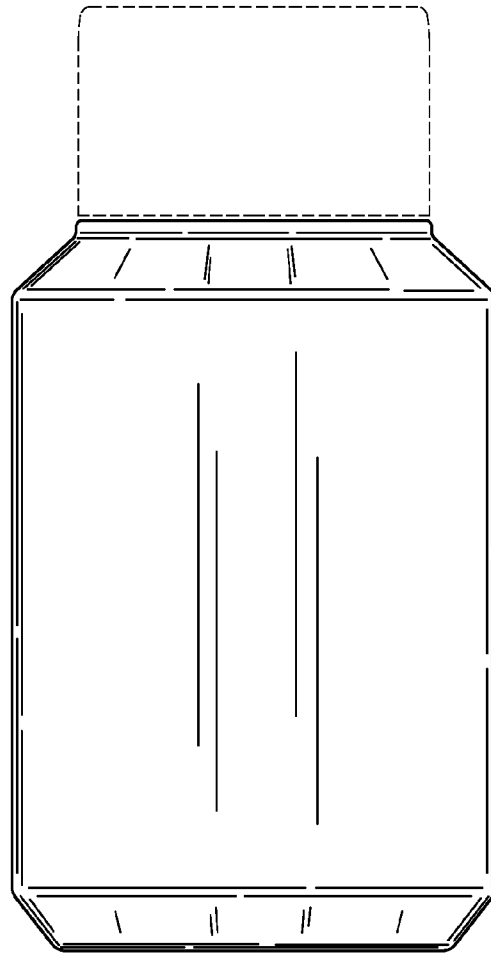


Fig. 3

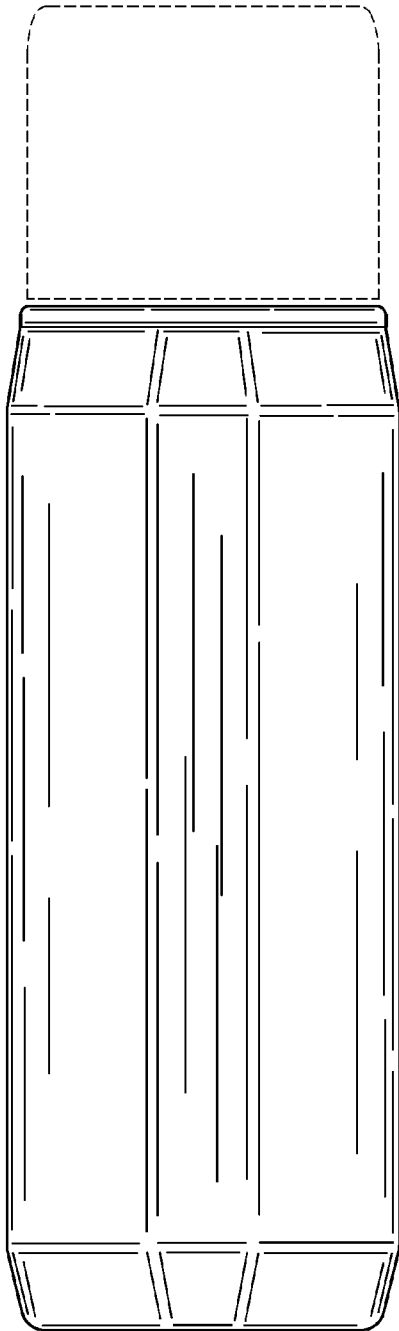


Fig. 4



Fig. 5

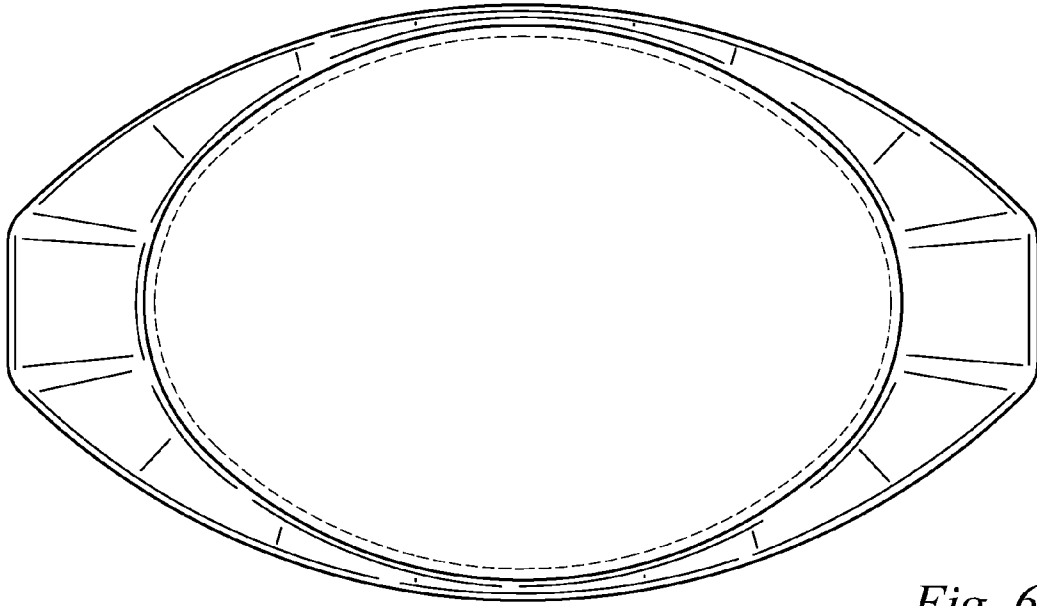


Fig. 6

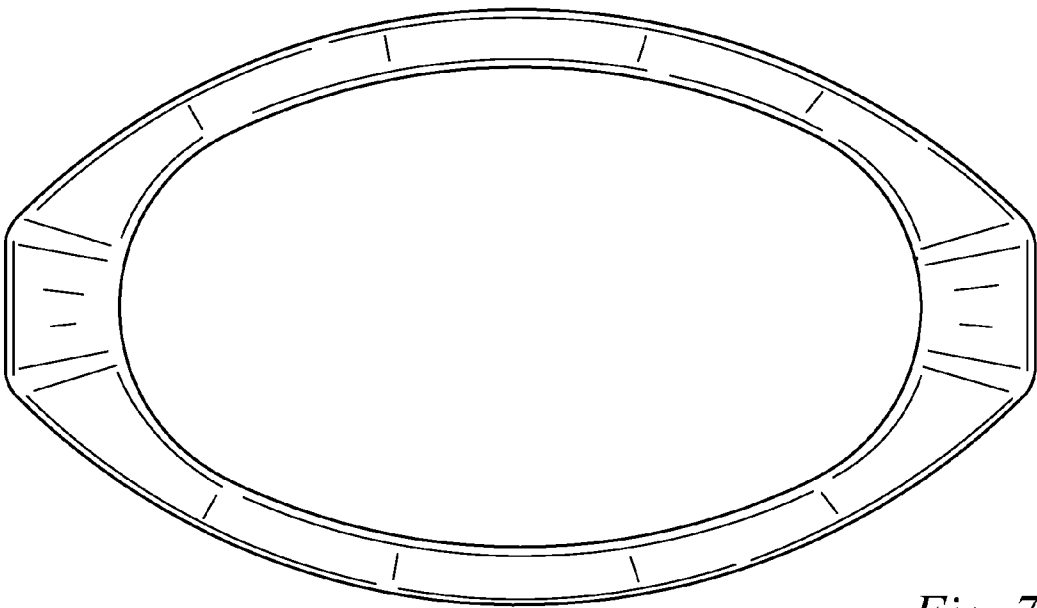


Fig. 7