



US00D635464S

(12) **United States Design Patent**
Kuzma et al.

(10) **Patent No.:** **US D635,464 S**

(45) **Date of Patent:** **** Apr. 5, 2011**

(54) **BOTTLE**

(75) Inventors: **Gene J. Kuzma**, Powell, OH (US);
Tristan O. Herstol, Columbus, OH (US)

(73) Assignee: **G.K. Packaging, Inc**, Plain City, OH (US)

(**) Term: **14 Years**

(21) Appl. No.: **29/342,129**

(22) Filed: **Aug. 19, 2009**

(51) **LOC (9) Cl.** **09-01**

(52) **U.S. Cl.** **D9/563; D9/571; D9/573; D9/574**

(58) **Field of Classification Search** D9/516,
D9/520, 545, 549, 550, 558, 559, 563, 571,
D9/572, 573, 574; 215/379, 381-385; 220/600,
220/604, 608, 609, 610, 660, 669, 670, 674,
220/675

See application file for complete search history.

(56) **References Cited**

U.S. PATENT DOCUMENTS

D21,382 S	3/1892	Hannold
D28,182 S	1/1898	Whitall
D37,819 S	2/1906	Bradley
882,864 A	3/1908	Burke
D52,472 S	9/1918	Corey
D94,189 S	1/1935	Cassedy
D97,176 S	10/1935	Clevenger
D97,178 S	10/1935	Clevenger
D101,919 S	11/1936	Leach
D104,546 S	5/1937	Topping
D106,370 S	10/1937	Pancoast
D106,628 S	10/1937	Leach, Jr.
D143,421 S	1/1946	Gasner
2,586,687 A	2/1952	Mellon
D176,226 S	11/1955	Morris
D189,460 S	12/1960	Richter
D192,535 S	4/1962	Laudano
D193,311 S	7/1962	Buckley

3,072,285 A *	1/1963	Aileo	220/326
D195,230 S	5/1963	Dubbs	
D196,990 S	11/1963	Dubbs	
D198,405 S	6/1964	Racknagel	
D198,407 S	6/1964	Busch	
D201,997 S	8/1965	Ludetke	
D204,707 S	5/1966	Abbott	
3,342,379 A	9/1967	Foley	
D209,097 S	10/1967	Stehl	
D211,509 S	6/1968	Vanderhyde	
D213,355 S	2/1969	Kneapler	
D213,421 S	3/1969	Leary	
D214,554 S	7/1969	Ottman et al.	
D217,439 S	5/1970	Platte	
D219,366 S	12/1970	Lewis, Jr. et al.	
D222,530 S	11/1971	Luedtke	
D225,834 S	1/1973	Kneapler	
3,732,999 A *	5/1973	Rounkles	215/6

(Continued)

Primary Examiner — Stella M Reid

Assistant Examiner — Elizabeth J Oswecki

(74) *Attorney, Agent, or Firm* — Gallagher & Dawsey Co.,
LPA; Michael J. Gallagher; David J. Dawsey

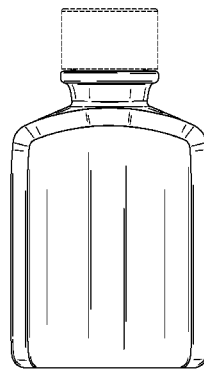
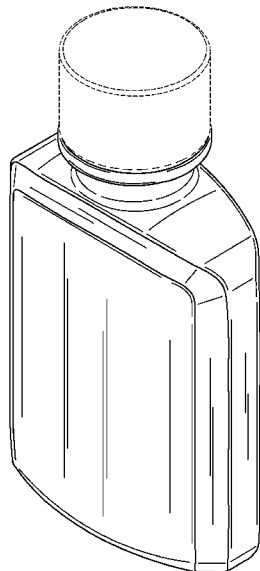
(57) **CLAIM**

We claim the ornamental design for a bottle, as shown and described.

DESCRIPTION

FIG. 1 is a perspective view of a bottle showing our new design;
FIG. 2 is a front elevation view thereof;
FIG. 3 is a rear elevation view thereof;
FIG. 4 is a left side elevation view thereof;
FIG. 5 is a right side elevation view thereof;
FIG. 6 is a top plan thereof; and,
FIG. 7 is a bottom plan view thereof.
The broken line disclosure represents non claimed subject matter and forms no part of the claimed design.

1 Claim, 4 Drawing Sheets



US D635,464 S

U.S. PATENT DOCUMENTS				
D227,344 S	6/1973	Lerner		D396,009 S * 7/1998 Reubens D9/530
D234,682 S *	4/1975	Quintal	D9/574	D396,191 S 7/1998 Kuzma et al.
3,874,562 A	4/1975	Hazard		D397,608 S 9/1998 Fiore
D238,555 S	1/1976	Blank		D398,239 S 9/1998 Bertolini et al.
D243,657 S *	3/1977	Strand	D9/542	D398,244 S 9/1998 Bertolini et al.
D246,953 S	1/1978	Britt		D398,853 S 9/1998 Phillips
D247,221 S	2/1978	Landor et al.		5,816,451 A 10/1998 Renault
D248,088 S	6/1978	Britt		D403,592 S 1/1999 Everard et al.
D254,596 S *	4/1980	Spigelman	D9/522	D405,015 S * 2/1999 Kotyuk D9/573
D254,651 S	4/1980	Shortino		D408,740 S 4/1999 Jones et al.
D254,652 S	4/1980	Shortino		D409,092 S 5/1999 Beasley
D254,711 S	4/1980	Shortino		D411,804 S 7/1999 Zaragoza
D254,713 S	4/1980	Shortino		D412,851 S 8/1999 Nosella
D254,773 S *	4/1980	Kretz	D9/542	D413,807 S 9/1999 Mikla
D255,217 S *	6/1980	Plummer	D9/522	5,954,213 A 9/1999 Gerhart et al.
D255,543 S	6/1980	Shortino		D415,037 S 10/1999 Pritchard et al.
D255,652 S	7/1980	Kretz		D417,624 S 12/1999 Herrmann et al.
D256,555 S	8/1980	Beeman		D419,864 S * 2/2000 Kuzma et al. D9/682
D257,504 S	11/1980	Weckman		D419,889 S 2/2000 Kuzma et al.
D258,117 S	2/1981	Cox		D422,506 S 4/2000 Cummings
D259,542 S	6/1981	Shortino		D423,370 S 4/2000 Lewin
D261,107 S	10/1981	Harris		D424,448 S 5/2000 Weber
D263,281 S	3/1982	Smith		D425,408 S 5/2000 Bakic
D266,990 S	11/1982	Cook		D425,429 S 5/2000 Weber
D268,647 S	4/1983	Kingsford		D427,073 S 6/2000 Gaffney
D273,564 S	4/1984	Spielhoff		6,077,579 A * 6/2000 De Laforcade 428/35.7
D281,863 S	12/1985	Beechuk et al.		D428,343 S 7/2000 Waitzenegger
D282,052 S *	1/1986	Beaver et al.	D9/539	D428,578 S 7/2000 Waitzenegger
D282,443 S *	2/1986	Beaver et al.	D9/563	D429,629 S * 8/2000 Kuzma et al. D9/682
D288,905 S	3/1987	Platte, Sr.		D429,649 S 8/2000 Kotyuk
D296,867 S	7/1988	Kuzma et al.		D431,006 S * 9/2000 Kotyuk D9/569
D306,695 S	3/1990	Smith		D432,920 S 10/2000 Johnson et al.
D308,337 S	6/1990	Weckman		D432,922 S * 10/2000 Gose D9/571
D309,714 S *	8/1990	Biesecker	D9/542	D433,338 S * 11/2000 Blaakman D9/542
D310,329 S	9/1990	Schmidt		D433,637 S 11/2000 Hailey et al.
D312,779 S	12/1990	Tacconelli		D433,947 S 11/2000 Ewing, Jr.
D313,751 S *	1/1991	Taylor	D9/529	D437,559 S 2/2001 Fenton et al.
D317,259 S	6/1991	Schmidt		D437,775 S 2/2001 Dalmau
D321,131 S	10/1991	Wiseman et al.		D438,118 S 2/2001 Dalmau
D322,937 S	1/1992	Dinand		D439,518 S 3/2001 Gavin
D324,820 S	3/1992	Hayman et al.		D439,843 S 4/2001 Dalmau
D324,998 S	3/1992	Klapwald		D441,293 S 5/2001 Togasawa
D336,246 S	6/1993	Narvaez		D444,389 S 7/2001 Bakic
D340,864 S *	11/1993	De Rothschild et al.	D9/522	D444,390 S 7/2001 Kokenge et al.
D346,964 S	5/1994	Green		D446,459 S 8/2001 Weber
D347,388 S	5/1994	Crawford		D447,694 S 9/2001 Leggett
D347,389 S	5/1994	Crawford		D448,678 S 10/2001 Bakic
D347,794 S	6/1994	Lewis		D448,999 S 10/2001 Weber
D349,857 S	8/1994	Lonczak et al.		D450,597 S 11/2001 Bobchenok et al.
D350,691 S	9/1994	Simion		6,321,923 B1 11/2001 Wood
D352,462 S	11/1994	Rupert		D452,157 S 12/2001 White et al.
D353,775 S	12/1994	Thompson		D452,446 S 12/2001 Shear
5,392,937 A	2/1995	Prevot et al.		D455,648 S 4/2002 Cummings
D356,038 S	3/1995	Biesecker		D455,655 S 4/2002 Bunce
D357,418 S	4/1995	Lonczak et al.		D457,069 S 5/2002 Palaia
D360,831 S	8/1995	Boisset		D458,149 S 6/2002 Cummings
D367,010 S *	2/1996	Moore et al.	D9/542	D458,847 S 6/2002 Kuzma et al.
D368,859 S	4/1996	LoPreto		D459,212 S 6/2002 Gobe
D369,980 S	5/1996	Dinand		D459,659 S 7/2002 Chung
D372,200 S *	7/1996	Lathrop et al.	D9/558	D459,996 S 7/2002 Kuzma et al.
D372,675 S *	8/1996	Pollard et al.	D9/542	D463,474 S 9/2002 Peon et al.
D372,873 S *	8/1996	Lathrop et al.	D9/558	D468,643 S 1/2003 Kuzma et al.
5,542,585 A	8/1996	Peters et al.		D468,644 S 1/2003 Kuzma et al.
D373,536 S	9/1996	Kokenge et al.		D469,022 S 1/2003 Kuzma et al.
D374,613 S *	10/1996	Maxwell et al.	D9/694	D469,214 S 1/2003 Kuzma et al.
D375,051 S	10/1996	Lathrop et al.		D470,772 S 2/2003 Egger
D376,310 S	12/1996	Crawford		D471,111 S 3/2003 Weaver et al.
5,598,941 A	2/1997	Semersky et al.		D471,461 S 3/2003 McGowan
D378,665 S	4/1997	Fenton et al.		D472,154 S 3/2003 Peon et al.
D381,895 S	8/1997	Cheng		D475,298 S 6/2003 Corrigan et al.
D382,209 S	8/1997	Fenton et al.		D480,002 S 9/2003 Canepa
D382,808 S *	8/1997	Fenton et al.	D9/522	D480,975 S * 10/2003 de Baschmakoff D9/563
D386,090 S	11/1997	Giovellina		D481,950 S 11/2003 Bakic
D392,895 S	3/1998	Kuzma et al.		D486,065 S 2/2004 Hutchinson et al.
D392,897 S	3/1998	Biesecker et al.		D489,008 S * 4/2004 Giovanni D9/558
D393,202 S	4/1998	Bertolini et al.		D489,267 S 5/2004 Rennie et al.
D394,211 S *	5/1998	Kuzma et al.	D9/542	D496,283 S 9/2004 Busa, Jr.
D395,396 S	6/1998	Kuzma et al.		D497,312 S 10/2004 Anderson et al.
				D498,670 S 11/2004 Cummings et al.

US D635,464 S

D500,954 S	1/2005	Kuzma et al.	D540,185 S	4/2007	Cummings et al.
D501,141 S	1/2005	Bakic	D541,162 S	4/2007	Pleines et al.
D502,400 S	3/2005	Cinquino et al.	D541,664 S *	5/2007	Galdini D9/574
D505,079 S	5/2005	Mulder et al.	D542,661 S	5/2007	Adler et al.
D509,148 S	9/2005	Wilson et al.	D545,201 S *	6/2007	Pitassi D9/520
D510,030 S	9/2005	Storz et al.	D547,190 S	7/2007	Kuzma et al.
6,964,345 B2 *	11/2005	Wetherell et al. 215/10	D551,555 S	9/2007	Escobosa et al.
D513,993 S	1/2006	Boyd	D552,695 S *	10/2007	Mayers D21/629
D514,448 S	2/2006	Kuzma et al.	D553,001 S	10/2007	Granitz
6,997,337 B1 *	2/2006	Wurster 215/382	D555,498 S *	11/2007	Bansal D9/558
D521,386 S	5/2006	Priestman	D556,056 S	11/2007	Thomas et al.
D522,867 S	6/2006	Bakic	D558,575 S	1/2008	Van Der Krogt et al.
D523,756 S *	6/2006	Considine et al. D9/573	D558,580 S	1/2008	Kuzma et al.
D524,657 S	7/2006	Harris et al.	D559,114 S	1/2008	Breitlander
D524,658 S *	7/2006	Varlet D9/544	D562,138 S *	2/2008	Warner D9/522
D525,872 S	8/2006	Haubert et al.	D562,139 S	2/2008	Crabtree et al.
D525,873 S	8/2006	Haubert et al.	D562,140 S	2/2008	Crabtree et al.
D526,200 S	8/2006	Bakic	D563,793 S	3/2008	Nomoto
D526,204 S	8/2006	Stolle	D567,664 S	4/2008	Rica
D527,636 S	9/2006	Bakic	D569,730 S	5/2008	Crabtree et al.
D529,388 S	10/2006	Bakic	D578,395 S	10/2008	Kuzma et al.
D529,810 S	10/2006	Davies et al.	D578,406 S	10/2008	Kuzma et al.
D529,814 S *	10/2006	Winkler et al. D9/563	D581,276 S	11/2008	Kuzma et al.
D535,565 S *	1/2007	Pitassi D9/530	D585,750 S	2/2009	Kuzma et al.
D535,887 S	1/2007	Haubert, III et al.	D615,415 S *	5/2010	Holmes et al. D9/541
D535,888 S	1/2007	Kuzma et al.	D617,201 S *	6/2010	Holmes et al. D9/541
D535,891 S	1/2007	Varlet	2008/0093327 A1 *	4/2008	Stolle 215/235
D538,678 S	3/2007	Cummings et al.	2008/0314859 A1 *	12/2008	Rim et al. 215/316
D539,150 S *	3/2007	Leoncavallo et al. D9/522			

* cited by examiner

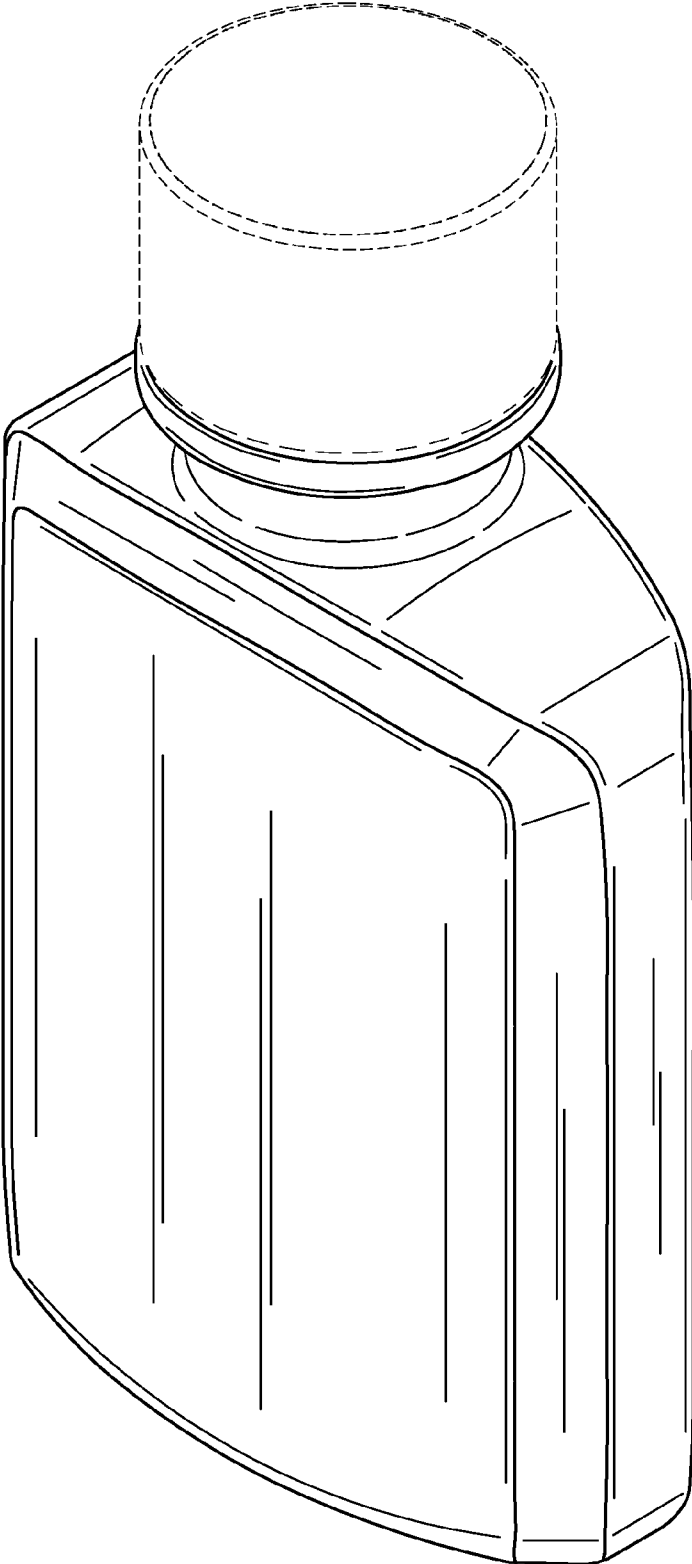


Fig. 1

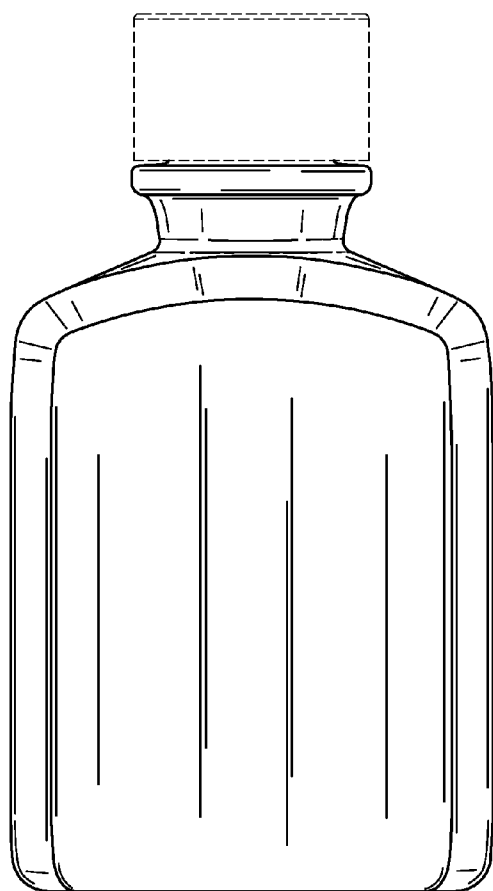


Fig. 2

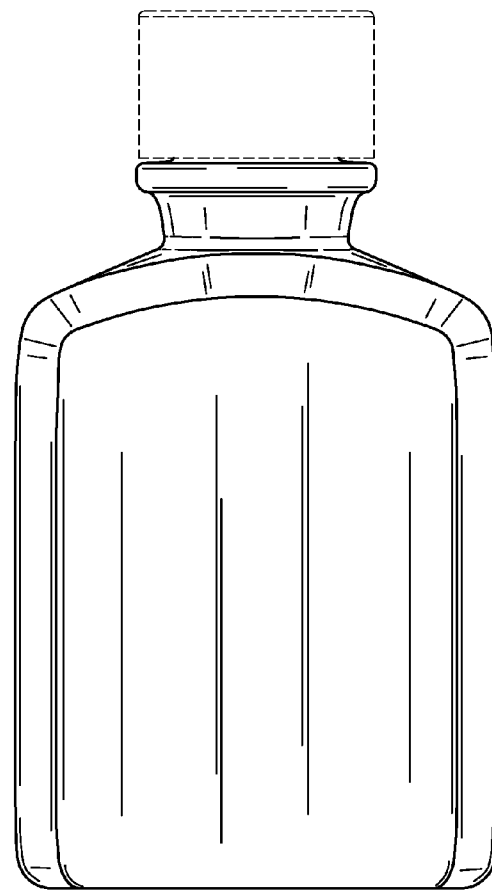


Fig. 3

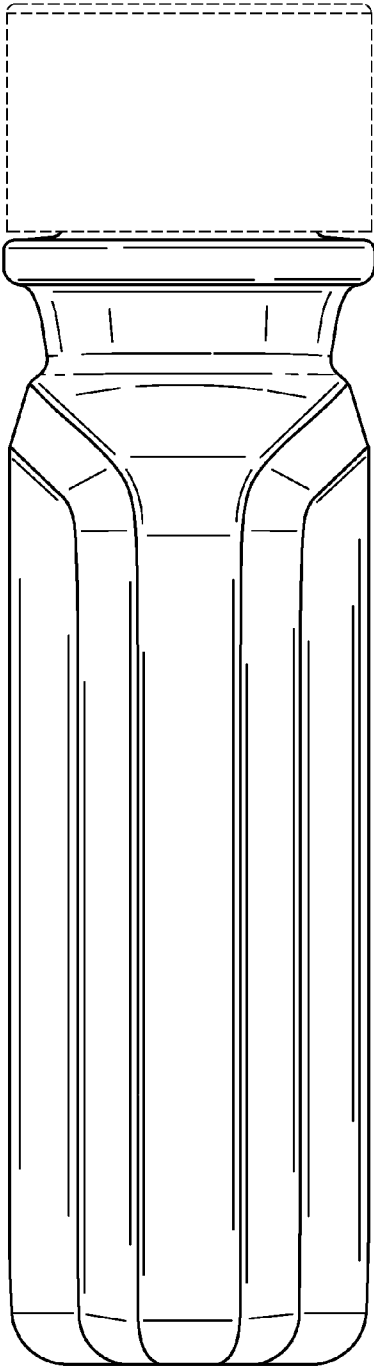


Fig. 4

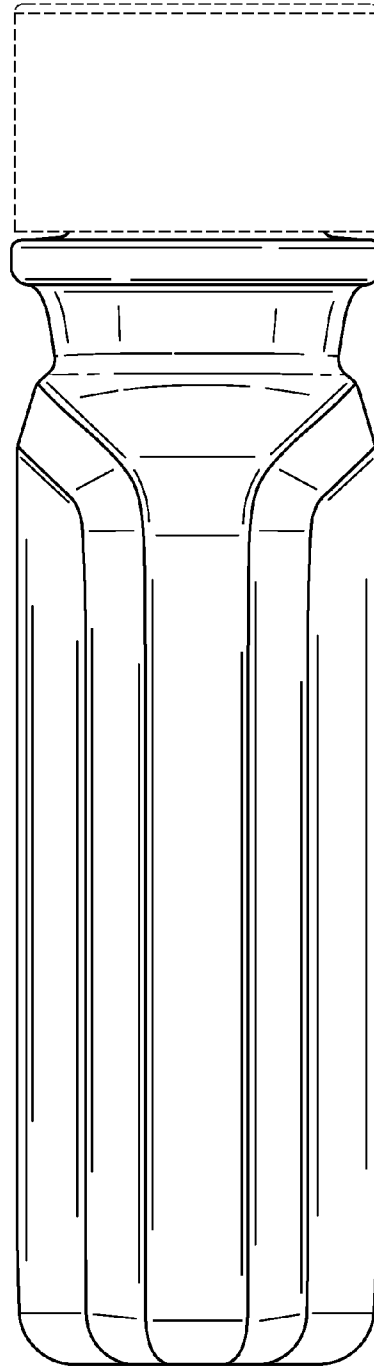


Fig. 5

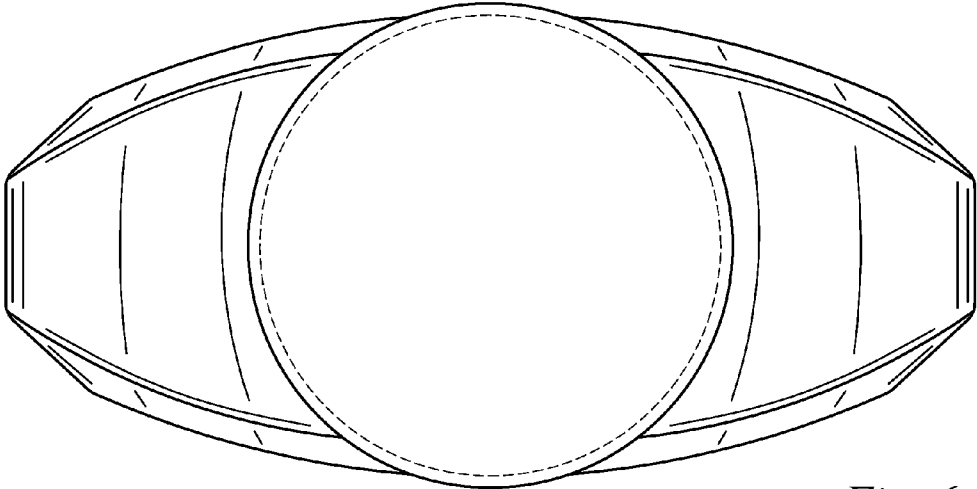


Fig. 6

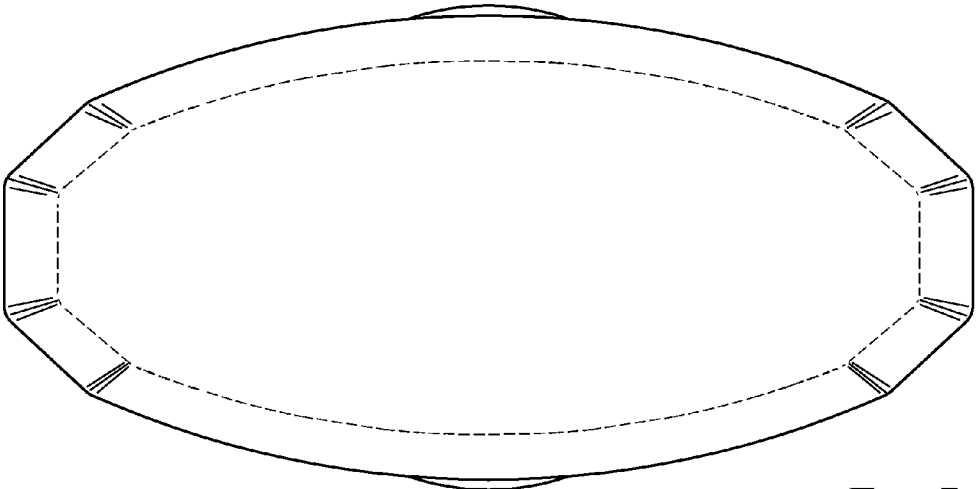


Fig. 7