



US00D641430S

(12) **United States Design Patent**
Zealer

(10) **Patent No.:** **US D641,430 S**

(45) **Date of Patent:** **** Jul. 12, 2011**

(54) **FLYING TOY**

(76) Inventor: **Carl Zealer**, Reynoldsburg, OH (US)

(**) Term: **14 Years**

(21) Appl. No.: **29/364,999**

(22) Filed: **Jul. 1, 2010**

(51) **LOC (9) Cl.** **21-01**

(52) **U.S. Cl.** **D21/449**

(58) **Field of Classification Search** D21/436,
D21/441, 448-452; 446/34, 36, 61

See application file for complete search history.

(56) **References Cited**

U.S. PATENT DOCUMENTS

D259,132	S	*	5/1981	Spizz	D21/449
D277,301	S	*	1/1985	Sampson	D21/449
D302,029	S	*	7/1989	Ninomiya	D21/449
5,853,312	A	*	12/1998	Li	446/61
6,217,404	B1	*	4/2001	Liao	446/61
6,257,946	B1	*	7/2001	Yang	446/34

D495,762	S	*	9/2004	Darack	D21/449
D506,229	S	*	6/2005	Tabor et al.	D21/445
D511,797	S	*	11/2005	Tabor et al.	D21/449

* cited by examiner

Primary Examiner — Sandra Morris

(74) *Attorney, Agent, or Firm* — Gallagher & Dawsey Co.,
LPA; Michael J. Gallagher; David J. Dawsey

(57) **CLAIM**

I claim the ornamental design for flying toy, as shown and described.

DESCRIPTION

FIG. 1 is an isometric view of a flying toy showing my new design;

FIG. 2 is a front elevation view thereof;

FIG. 3 is a rear elevation view thereof;

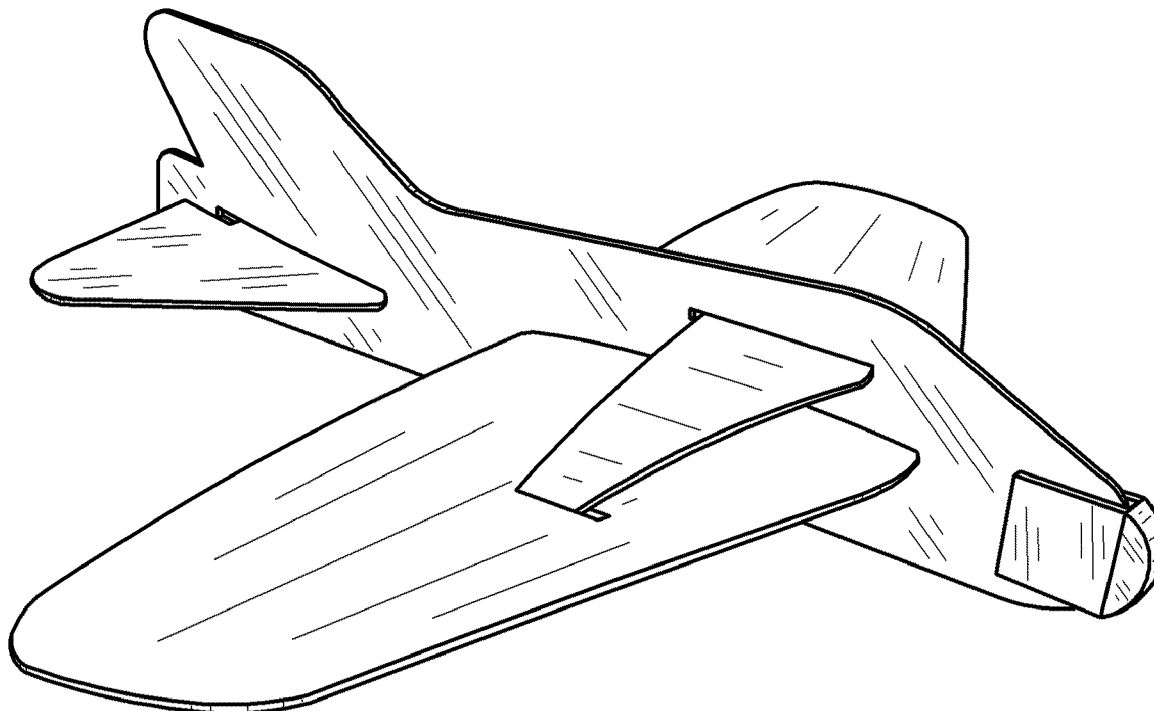
FIG. 4 is a left side elevation view thereof;

FIG. 5 is a right side elevation view thereof;

FIG. 6 is a top plan view thereof; and,

FIG. 7 is a bottom plan view thereof.

1 Claim, 5 Drawing Sheets



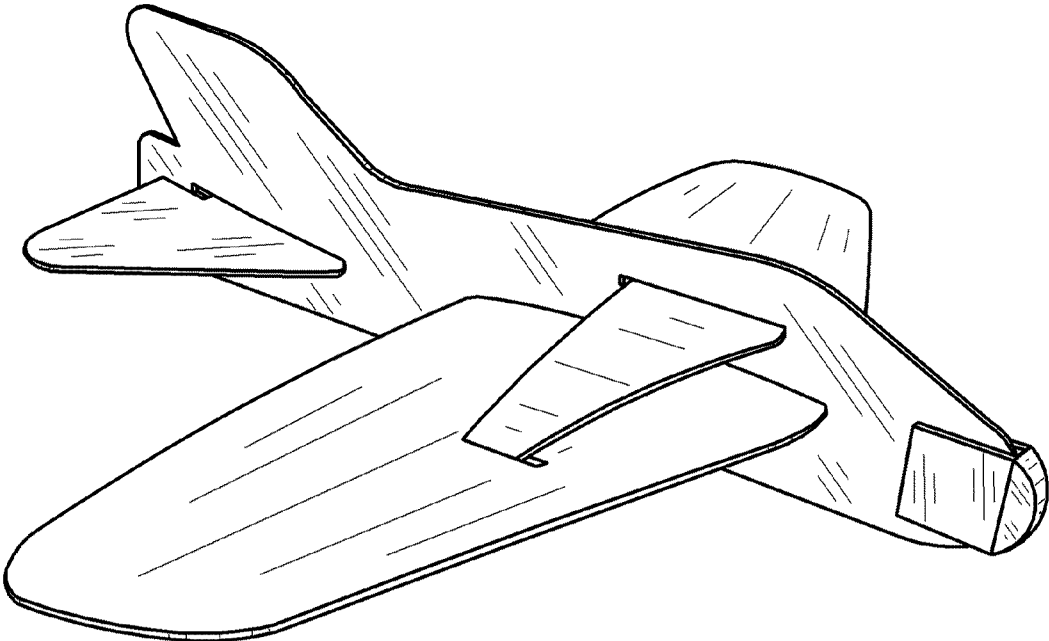


Fig. 1

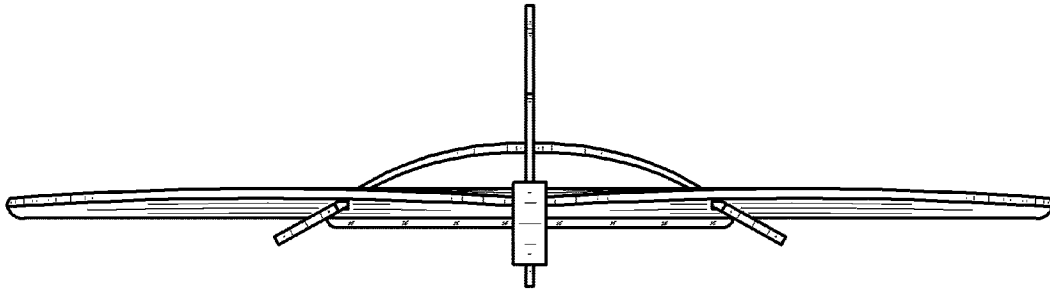


Fig. 2

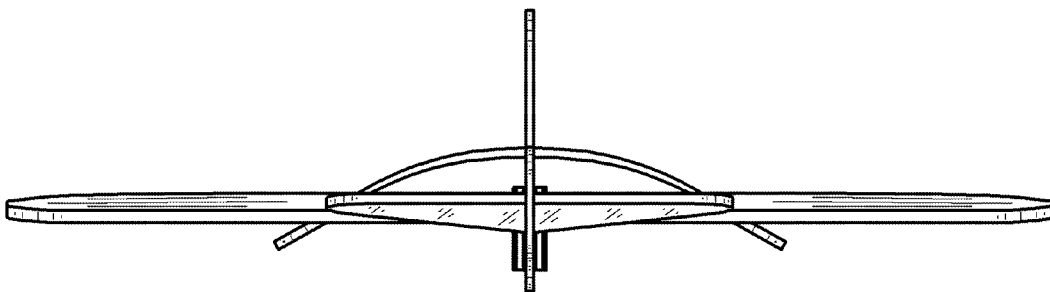


Fig. 3

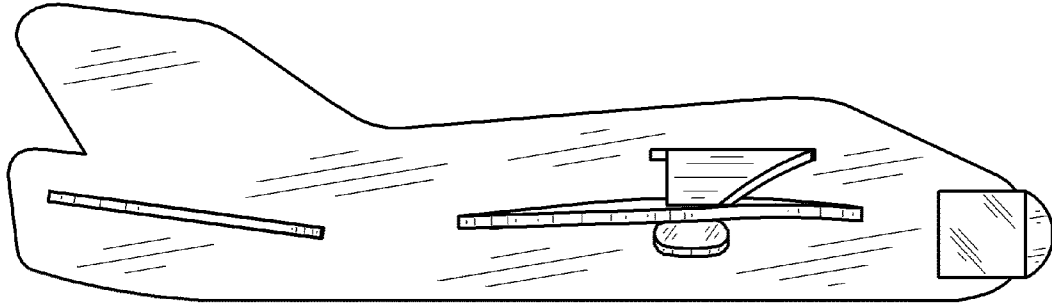


Fig. 4

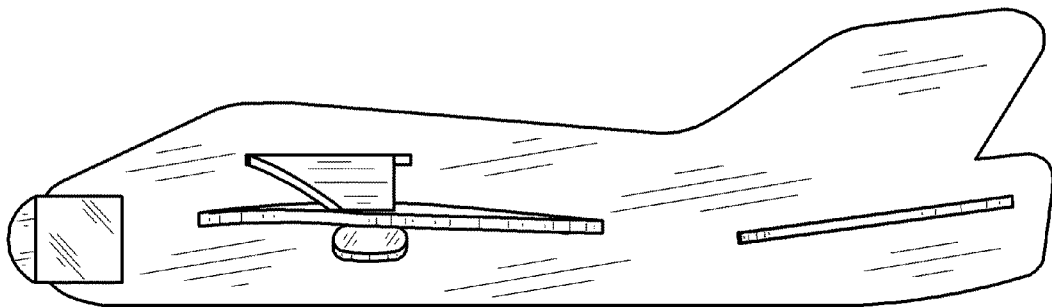


Fig. 5

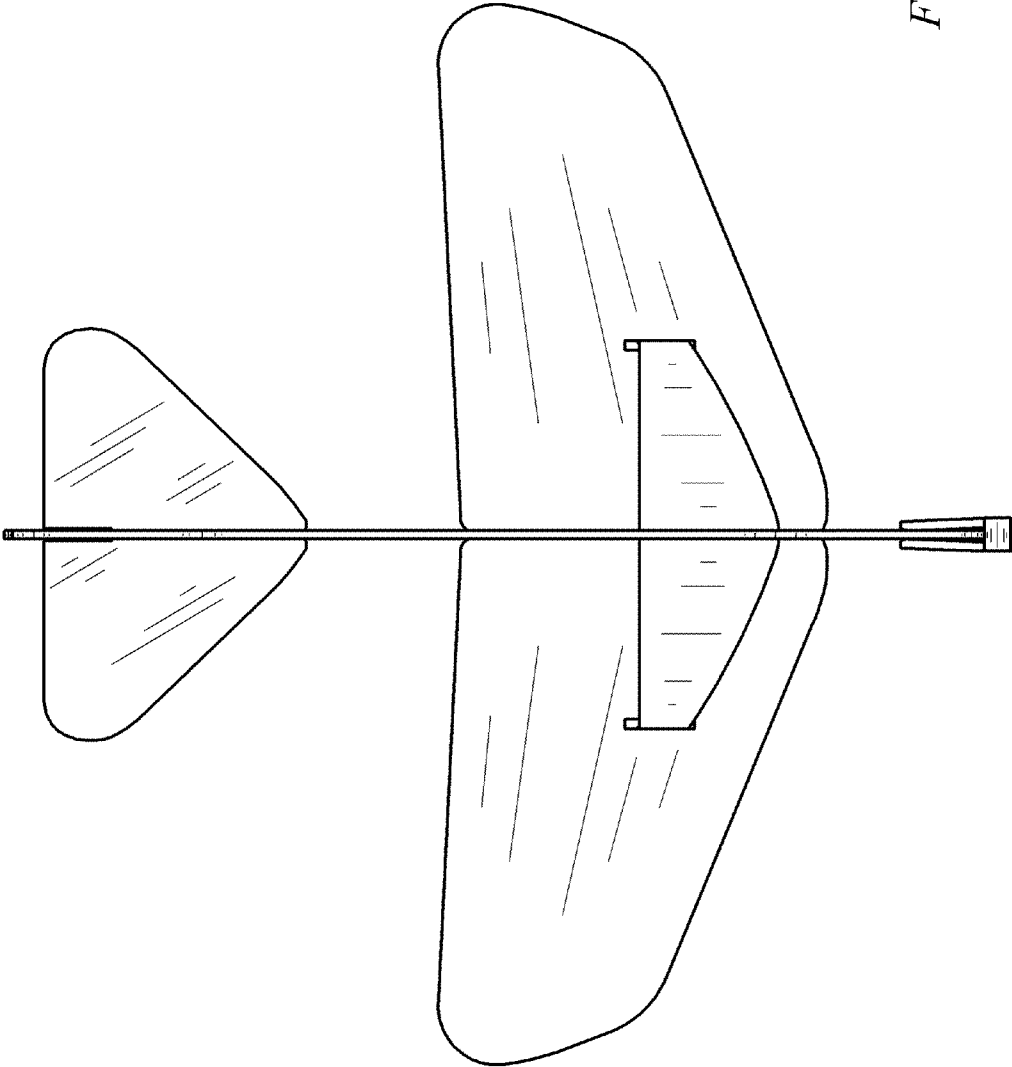


Fig. 6

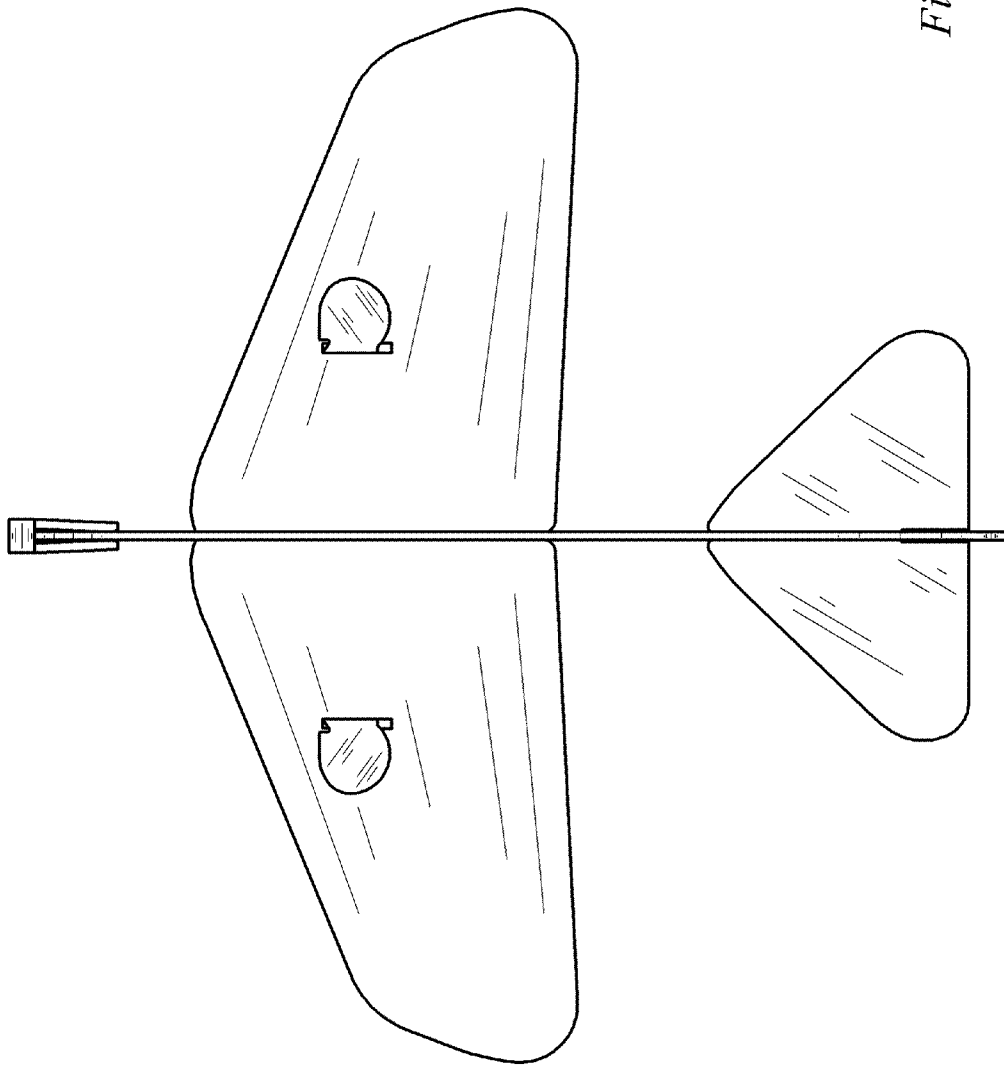


Fig. 7