



US00D657114S

(12) **United States Design Patent**
Anasis et al.

(10) **Patent No.:** **US D657,114 S**

(45) **Date of Patent:** **** Apr. 3, 2012**

(54) **AERIAL WORK CAGE**

(75) Inventors: **George M. Anasis**, New Albany, OH (US); **Todd King**, Dublin, OH (US); **Jason Patch**, Columbus, OH (US)

(73) Assignee: **Sky Climber, LLC**, Delaware, OH (US)

(**) Term: **14 Years**

(21) Appl. No.: **29/397,192**

(22) Filed: **Jul. 13, 2011**

(51) **LOC (9) Cl.** **12-05**

(52) **U.S. Cl.** **D34/37**

(58) **Field of Classification Search** D34/28,
D34/33, 35, 37; 254/325, 334, 326, 327,
254/338; 212/223, 255, 253; 182/2.11, 2.1,
182/141, 448, 127, 119

See application file for complete search history.

(56) **References Cited**

U.S. PATENT DOCUMENTS

| | | | | | | |
|-----------|----|---|---------|------------------|-------|----------|
| D189,182 | S | * | 11/1960 | Holan et al. | | D34/37 |
| 3,516,514 | A | * | 6/1970 | Dold et al. | | 182/46 |
| 4,754,840 | A | * | 7/1988 | MacDonald et al. | | 182/2.3 |
| 5,722,505 | A | * | 3/1998 | Grabner et al. | | 182/148 |
| 5,727,645 | A | * | 3/1998 | Woodling | | 182/2.1 |
| 5,944,138 | A | * | 8/1999 | Vollmer et al. | | 182/2.1 |
| 6,024,191 | A | * | 2/2000 | Backer et al. | | 182/69.6 |
| 6,250,485 | B1 | * | 6/2001 | Olson | | 212/260 |

| | | | | | | |
|--------------|----|---|---------|----------------|-------|---------|
| 6,823,964 | B2 | * | 11/2004 | Goode | | 182/3 |
| 8,016,074 | B2 | * | 9/2011 | Black et al. | | 182/113 |
| 2008/0087497 | A1 | * | 4/2008 | Boswell et al. | | 182/142 |

OTHER PUBLICATIONS

Spider, "Temporary Access Solutions—Drum Hoists/Work Cages," Spider Solutions Catalog—3rd Edition, Jul. 10, 2008, pp. 46-79. US Trademark registration No. 1,385,728, Registered Mar. 11, 1986, Spider Staging, Inc, Seattle, Washington. US Trademark registration No. 1,398,243, Registered Jun. 24, 1986, Spider Staging, Inc, Seattle, Washington.

* cited by examiner

Primary Examiner — Cynthia Ramirez

(74) *Attorney, Agent, or Firm* — David J. Dawsey; Michael J. Gallagher; Gallagher & Dawsey Co., LPA

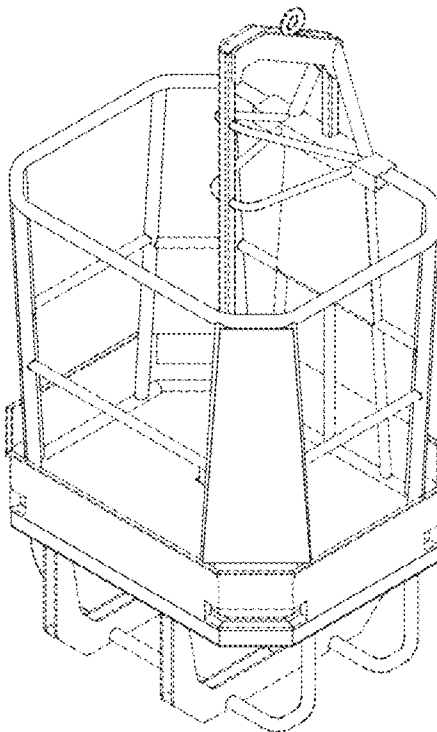
(57) **CLAIM**

We claim the ornamental design for an aerial work cage, as shown and described.

DESCRIPTION

FIG. 1 is a front isometric view of an aerial work cage showing our new design; FIG. 2 is a rear isometric view thereof; FIG. 3 is a right elevation view thereof; FIG. 4 is a left elevation view thereof; FIG. 5 is a front elevation view thereof; FIG. 6 is a rear elevation view thereof; FIG. 7 is a top plan view thereof; and, FIG. 8 is a bottom plan view thereof. The broken lines are for illustrative purposes only and form no part of the claimed design.

1 Claim, 5 Drawing Sheets



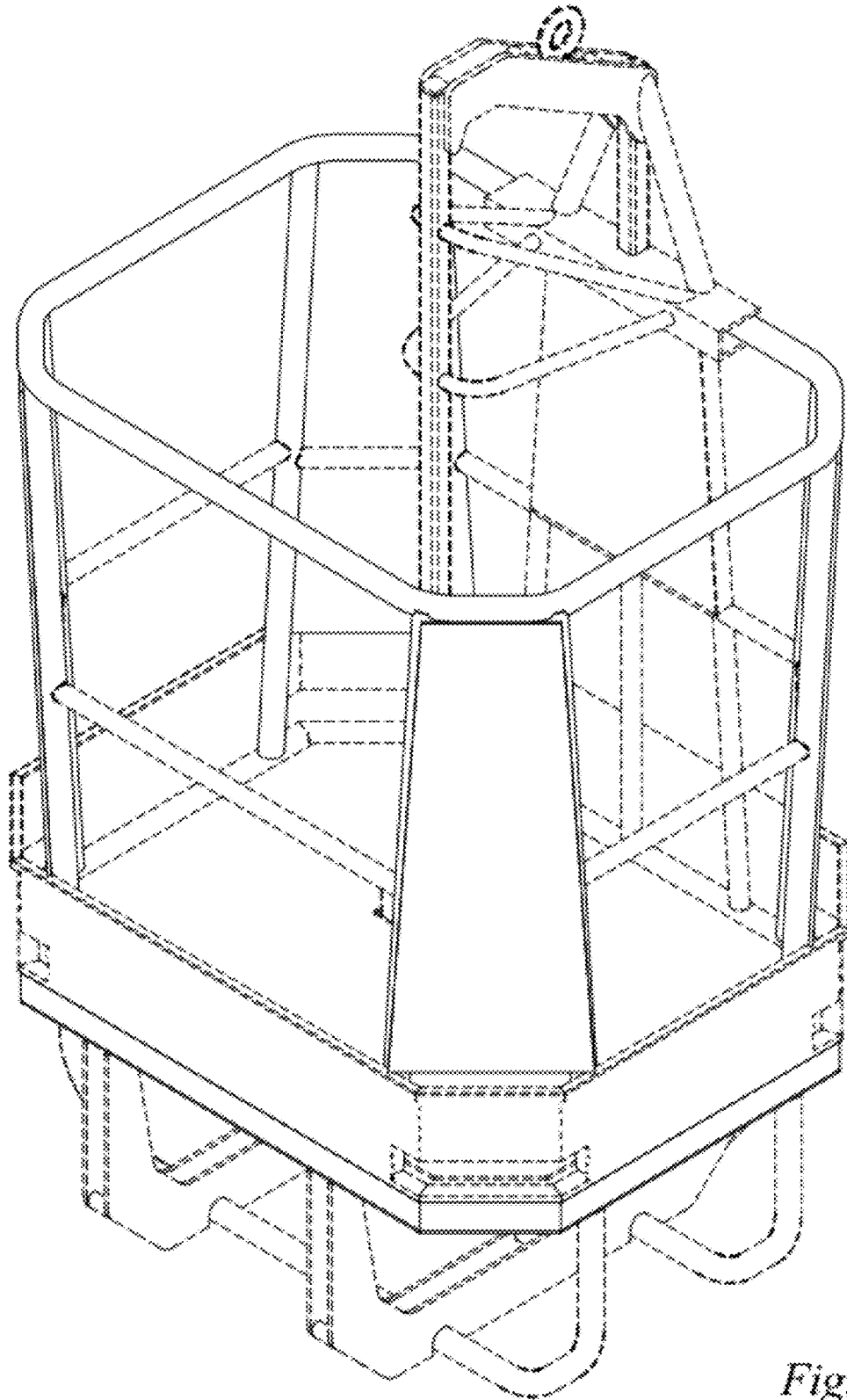


Fig. 1

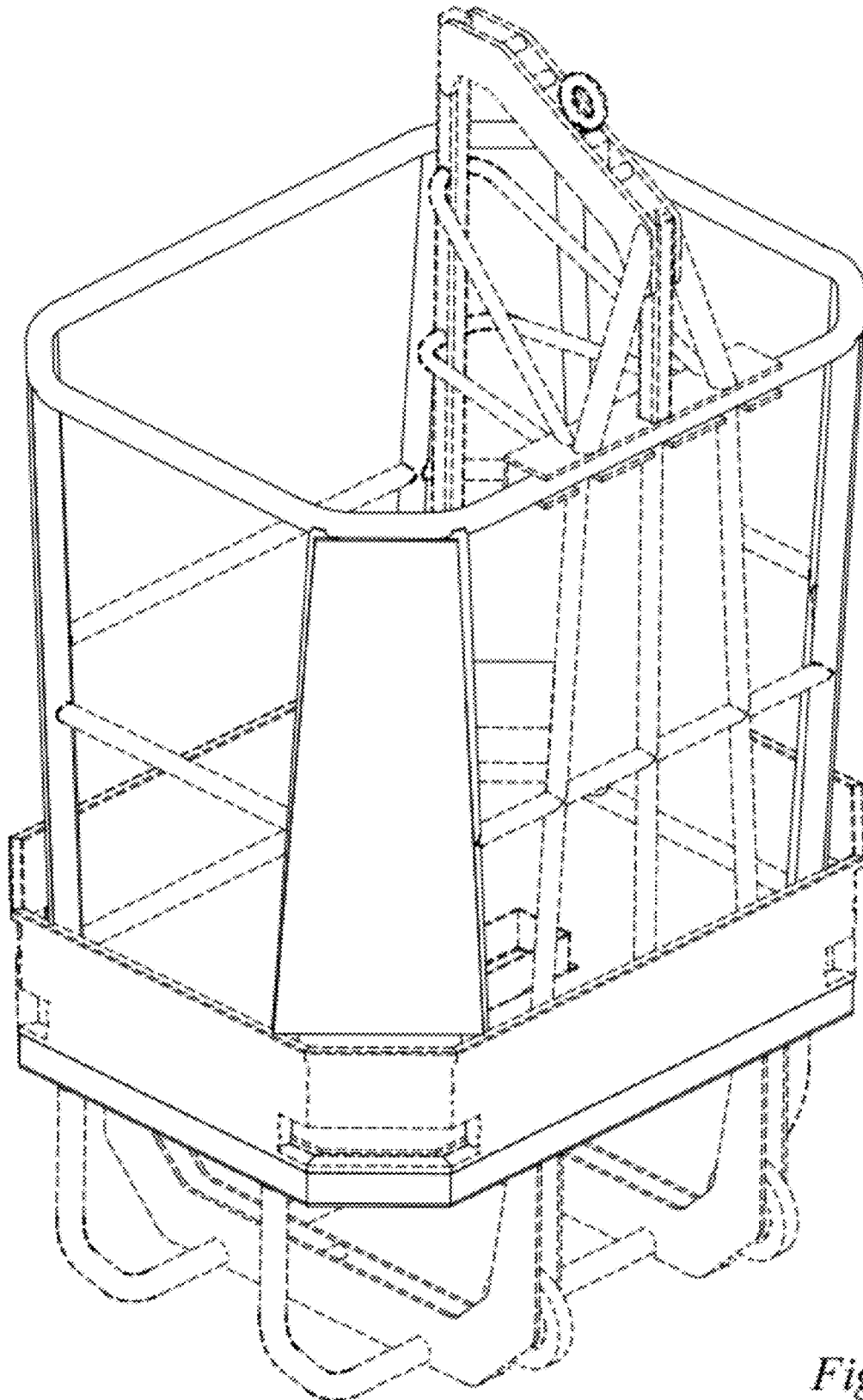


Fig. 2

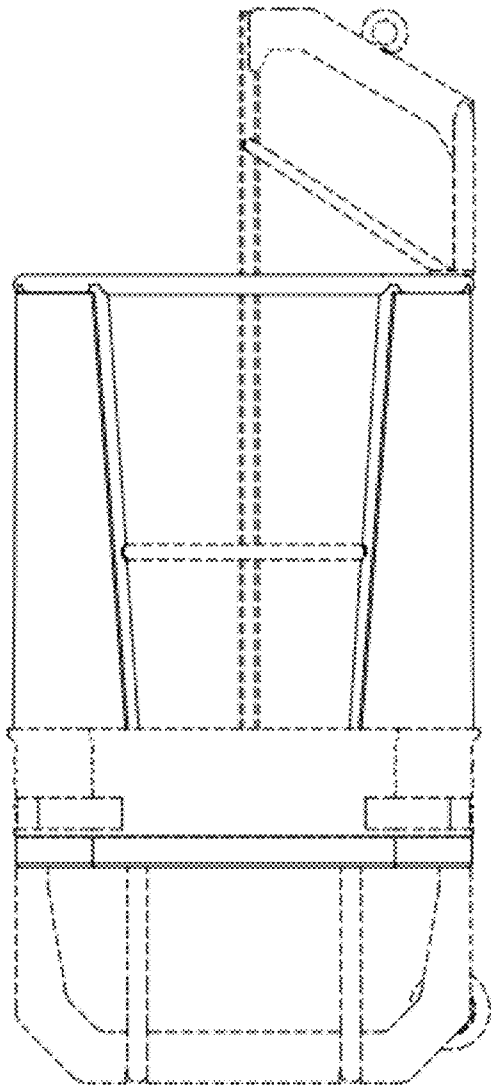


Fig. 3

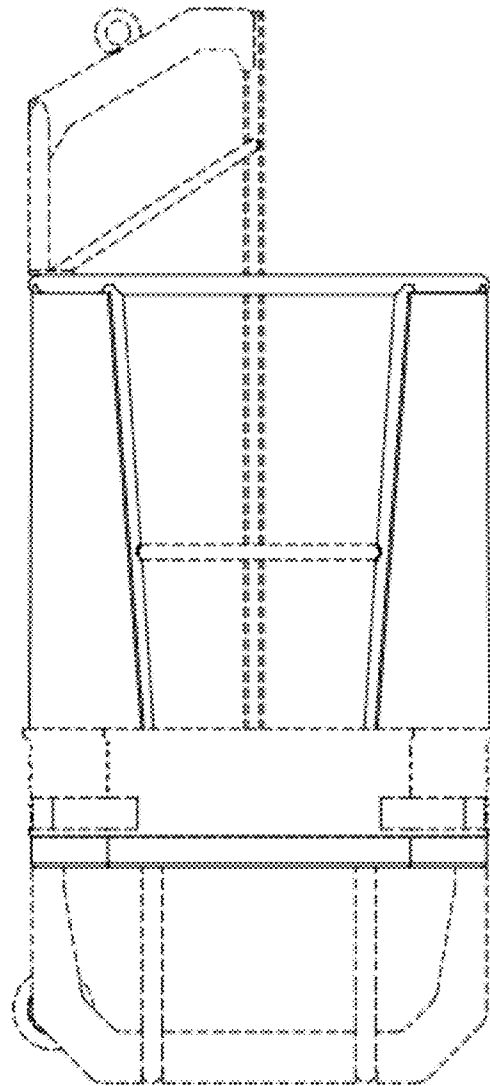


Fig. 4

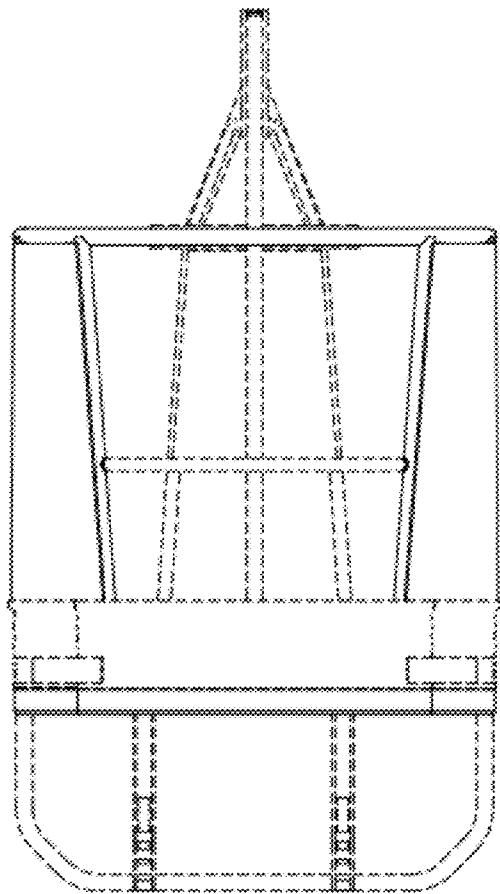


Fig. 5

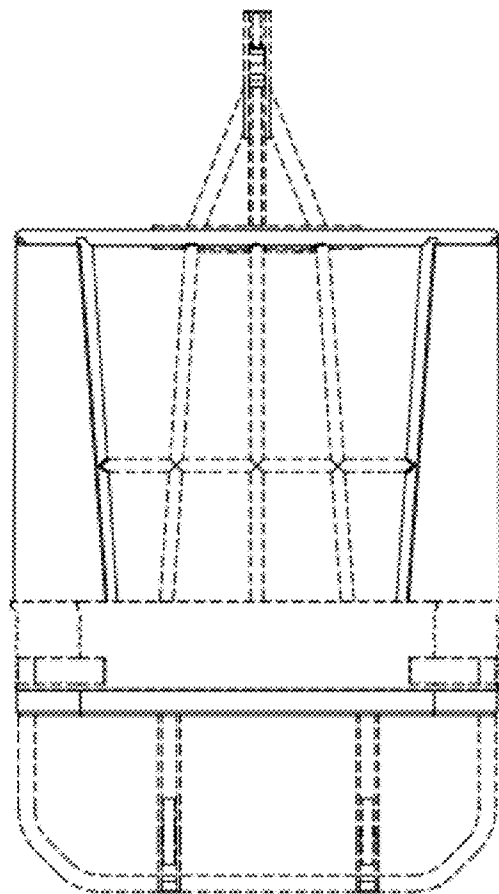


Fig. 6

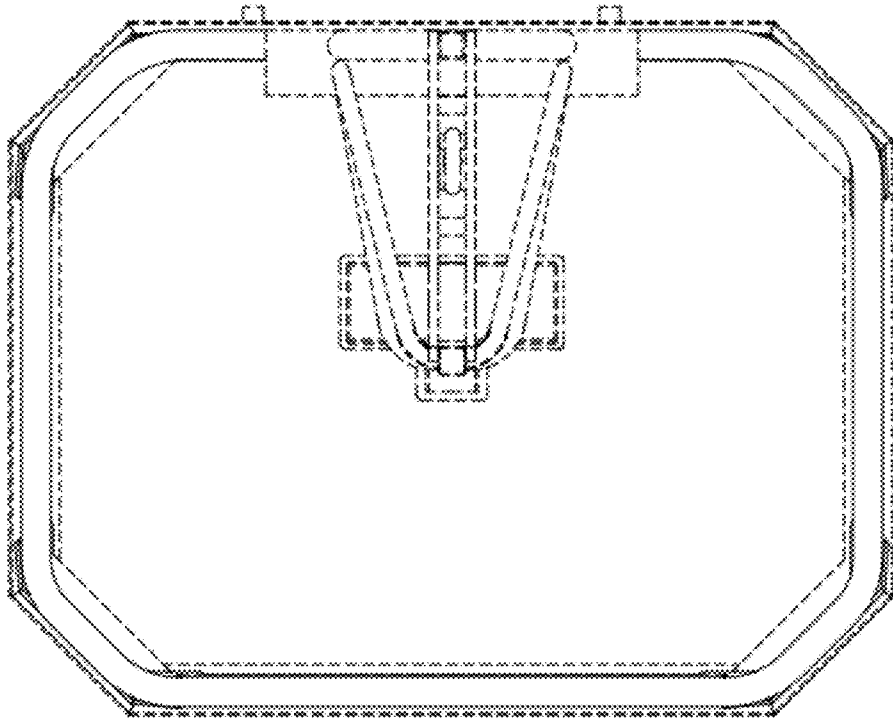


Fig. 7

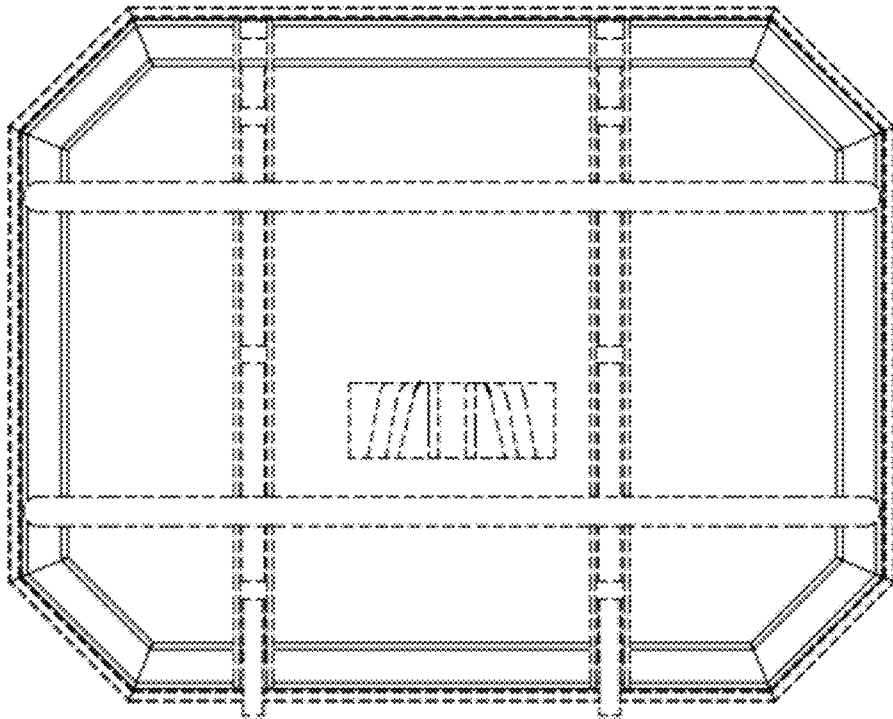


Fig. 8