



US00D472740S

(12) **United States Design Patent**
Neitz

(10) **Patent No.:** **US D472,740 S**

(45) **Date of Patent:** **** Apr. 8, 2003**

(54) **TABLE**

D404,595 S * 1/1999 Antonioni D6/482

(76) **Inventor:** **Erica Neitz**, P.O. Box 793, Gambier,
OH (US) 43022

* cited by examiner

Primary Examiner—Janice E. Seeger

(74) *Attorney, Agent, or Firm*—Gallagher & Dawsey Co.,
LPA; Michael J. Gallagher; David J. Dawsey

(**) **Term:** **14 Years**

(21) **Appl. No.:** **29/159,980**

(57) **CLAIM**

(22) **Filed:** **May 1, 2002**

The ornamental design for a table, as shown.

(51) **LOC (7) Cl.** **06-03**

DESCRIPTION

(52) **U.S. Cl.** **D6/480**

FIG. 1 is a perspective view of a table showing my new design;

(58) **Field of Search** D6/480-489, 495-499;
108/153.1, 155, 156, 157.1, 157.17, 161;
248/188, 188.1, 188.7, 188.8

FIG. 2 is a top plan view thereof;

FIG. 3 is a front elevation view thereof;

FIG. 4 is a left side elevation view thereof;

FIG. 5 is a right side elevation view thereof;

FIG. 6 is a rear elevation view thereof; and,

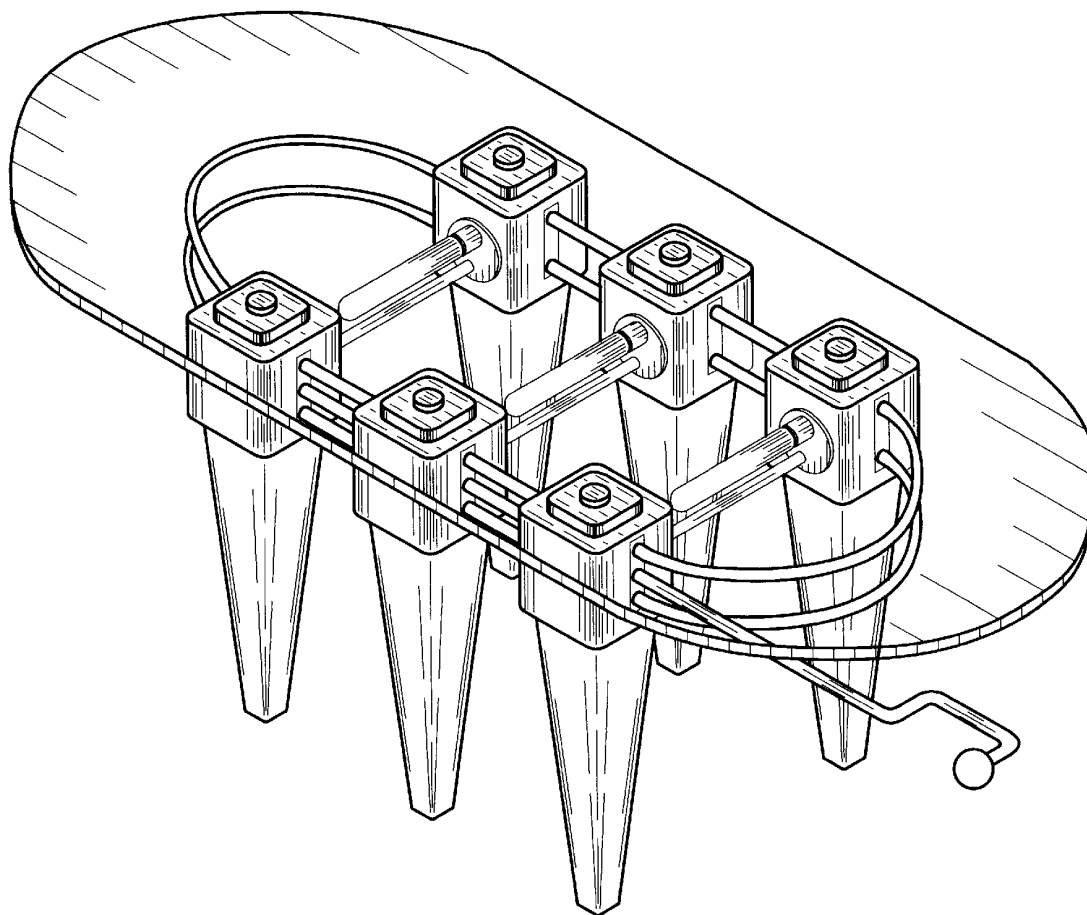
FIG. 7 is a bottom plan view thereof.

(56) **References Cited**

U.S. PATENT DOCUMENTS

- D190,656 S * 6/1961 Glass D6/480
- D277,351 S * 1/1985 Offredi D6/483
- D332,262 S * 1/1993 Borchardt D14/230

1 Claim, 4 Drawing Sheets



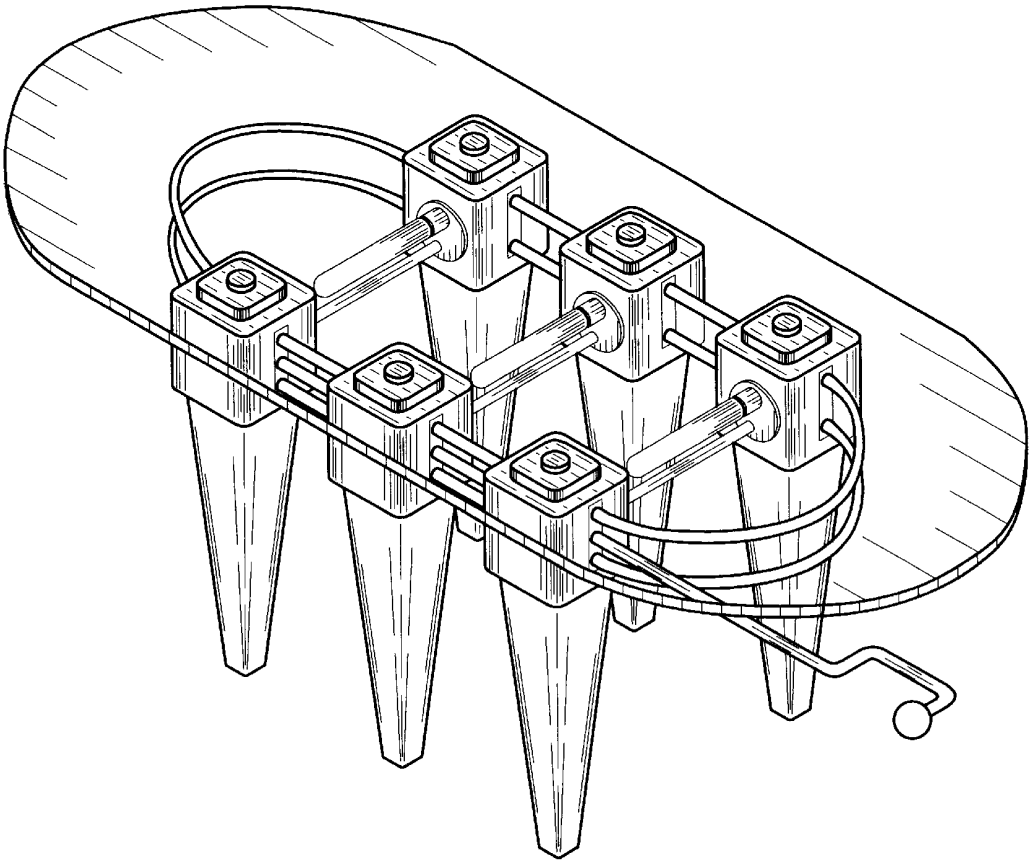


FIG. 1

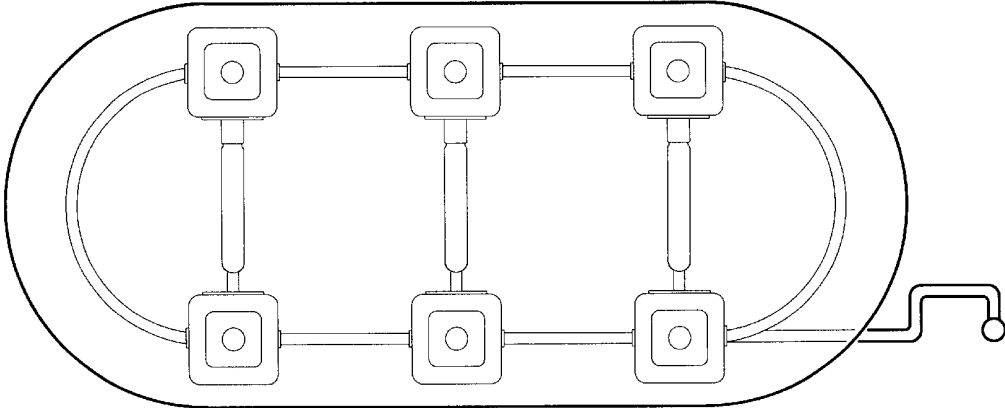


FIG. 2

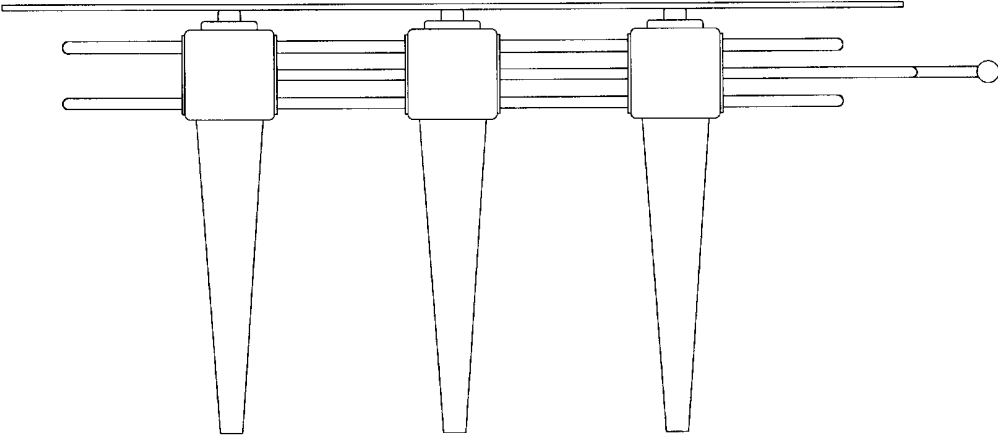


FIG. 3

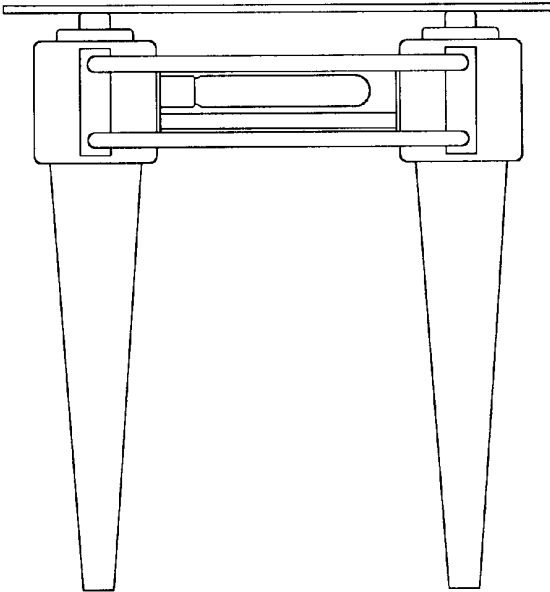


FIG. 4

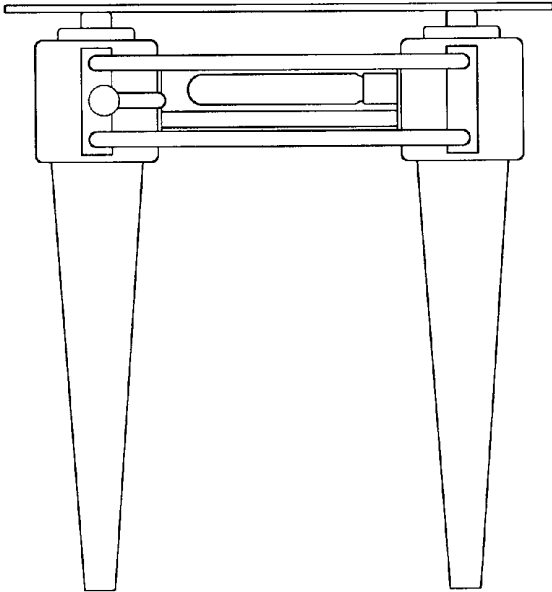


FIG. 5

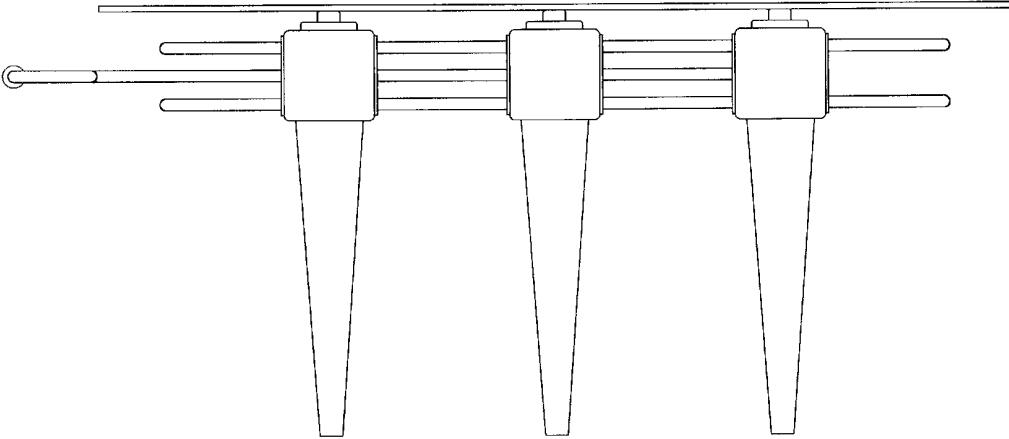


FIG. 6

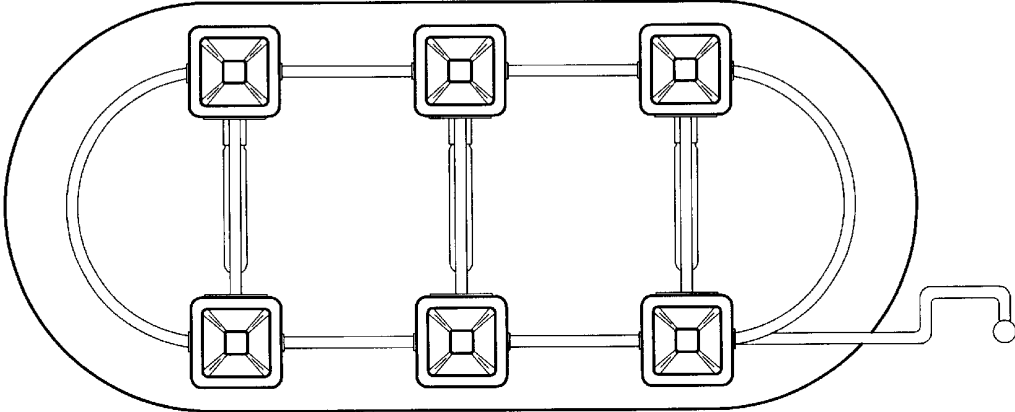


FIG. 7