



US00D607247S

(12) **United States Design Patent**
Lochen

(10) **Patent No.:** **US D607,247 S**
(45) **Date of Patent:** **** *Jan. 5, 2010**

(54) **BASEBALL THEMED DOUBLE DISPENSER**

(75) Inventor: **Romain Lochen**, Champigny-sur-Marne (FR)

(73) Assignee: **Viaplast SARL**, Champigny-sur-Marne (FR)

(*) Notice: This patent is subject to a terminal disclaimer.

(**) Term: **14 Years**

(21) Appl. No.: **29/340,551**

(22) Filed: **Jul. 21, 2009**

(51) **LOC (9) Cl.** **20-02**

(52) **U.S. Cl.** **D6/515**

(58) **Field of Classification Search** D6/515, D6/517, 542, 545; 211/13.1; 221/45-46, 221/49, 66, 282, 284; 206/704, 528; D21/315, D21/318, 313, 712, 713, 714; D12/500, D12/503; D29/106; 222/71, 129, 133; D26/73
See application file for complete search history.

(56) **References Cited**

U.S. PATENT DOCUMENTS

- D203,066 S * 11/1965 Sawyer D7/589
- D217,970 S * 7/1970 Gardella et al. D6/515
- D287,767 S 1/1987 Simmons
- D339,239 S 9/1993 Perkins
- D345,663 S * 4/1994 Hartman et al. D6/515
- D373,037 S * 8/1996 Lotti D6/515
- D410,699 S * 6/1999 Herlitz et al. D21/318
- D410,700 S * 6/1999 Herlitz et al. D21/318
- D414,636 S * 10/1999 Wiese D6/515
- D427,514 S 7/2000 Roth et al.
- D431,183 S 9/2000 Beals
- D452,943 S * 1/2002 Gallegos D29/106
- D464,221 S * 10/2002 Rieck D6/515
- D465,380 S 11/2002 Favela
- D474,593 S 5/2003 Bond et al.
- D475,226 S * 6/2003 Wagner D6/515
- D480,243 S * 10/2003 Edwards et al. D6/515

- D491,403 S * 6/2004 Gervasi D6/515
- D496,137 S * 9/2004 Byrne D30/160
- D501,343 S * 2/2005 Miesieski et al. D6/515
- D508,543 S * 8/2005 Ota D21/713
- D511,654 S 11/2005 Bailey
- D541,088 S * 4/2007 Nesci D6/515
- D551,375 S * 9/2007 Nunes D26/73
- D551,376 S * 9/2007 Nunes D26/73
- D558,285 S * 12/2007 Avis et al. D21/713
- D563,146 S 3/2008 Henry
- D563,479 S * 3/2008 Wei D21/318
- D569,927 S * 5/2008 Kuehne et al. D21/713
- D570,431 S * 6/2008 Krysiak D21/712
- D575,433 S * 8/2008 Nunes D26/73
- D585,223 S * 1/2009 Rust D6/515
- D587,855 S * 3/2009 Nimmons et al. D29/106
- D594,701 S 6/2009 Sax et al.
- D599,157 S 9/2009 Stein

* cited by examiner

Primary Examiner—Brian N Vinson

(74) *Attorney, Agent, or Firm*—Gallagher & Dawsey Co., LPA; Michael J. Gallagher; David J. Dawsey

(57) **CLAIM**

I claim the ornamental design for a baseball themed double dispenser, as shown and described.

DESCRIPTION

FIG. 1 is a perspective view of a baseball themed double dispenser showing my new design;

FIG. 2 is a front elevation view thereof;

FIG. 3 is a rear elevation view thereof;

FIG. 4 is a left side elevation view thereof;

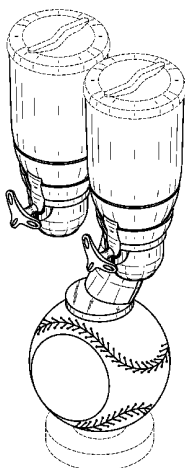
FIG. 5 is a right side elevation view thereof;

FIG. 6 is a top plan view thereof; and,

FIG. 7 is a bottom plan view thereof.

The broken-line disclosure in the views is understood to represent portions of the article in which the claimed design is embodied, but which form no part of the claimed design.

1 Claim, 4 Drawing Sheets



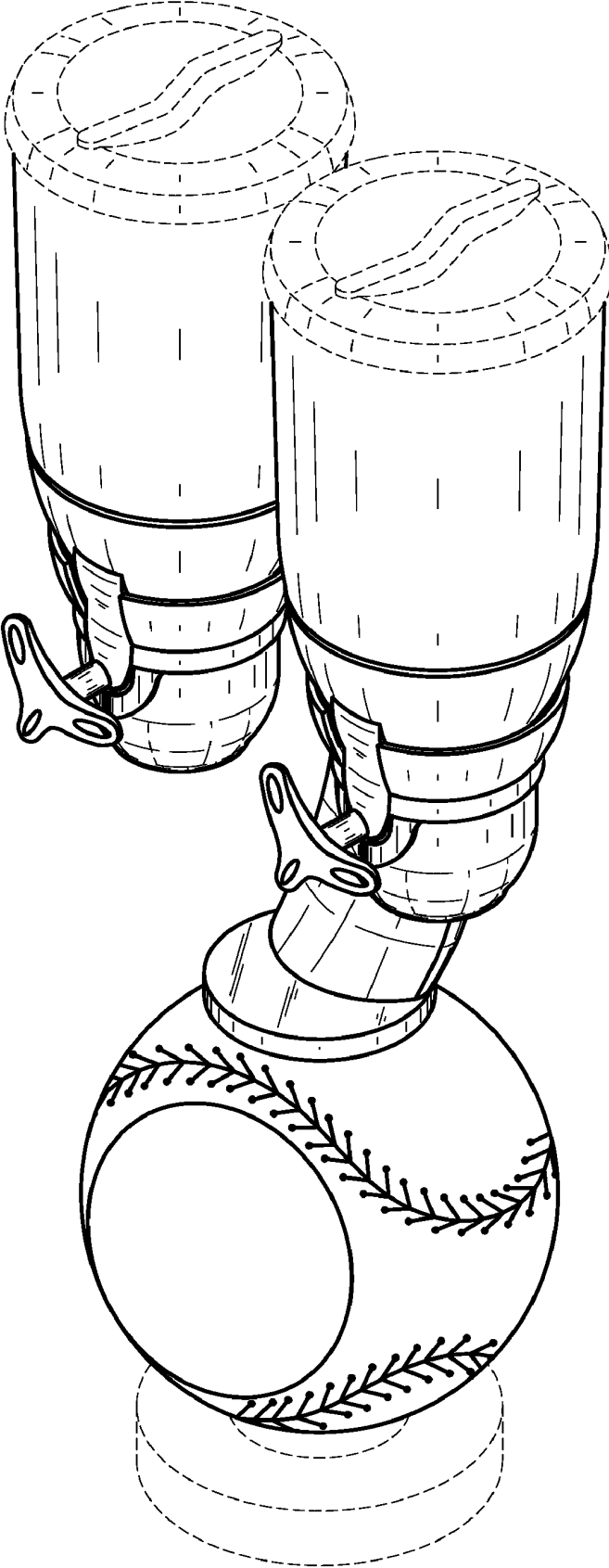


Fig. 1

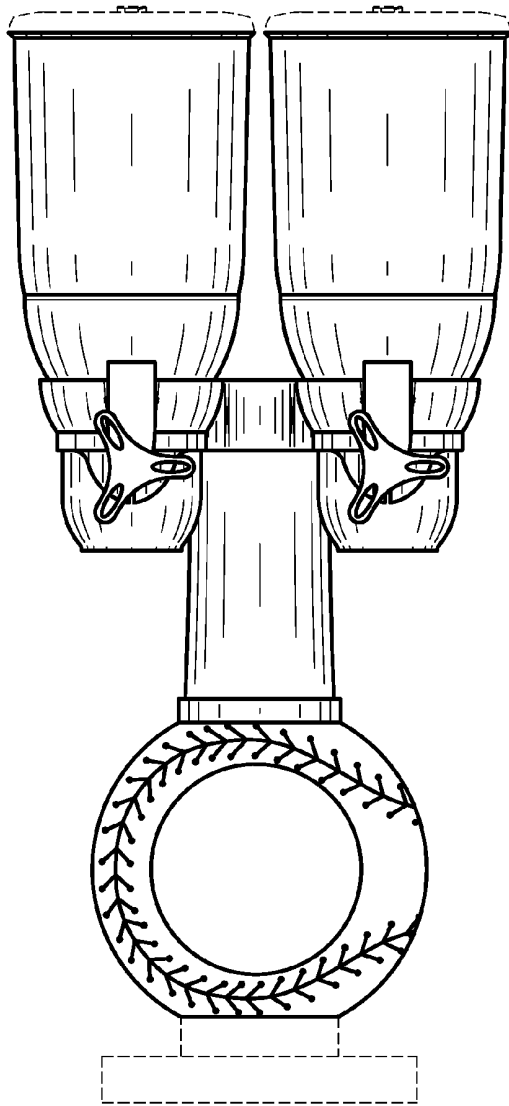


Fig. 2

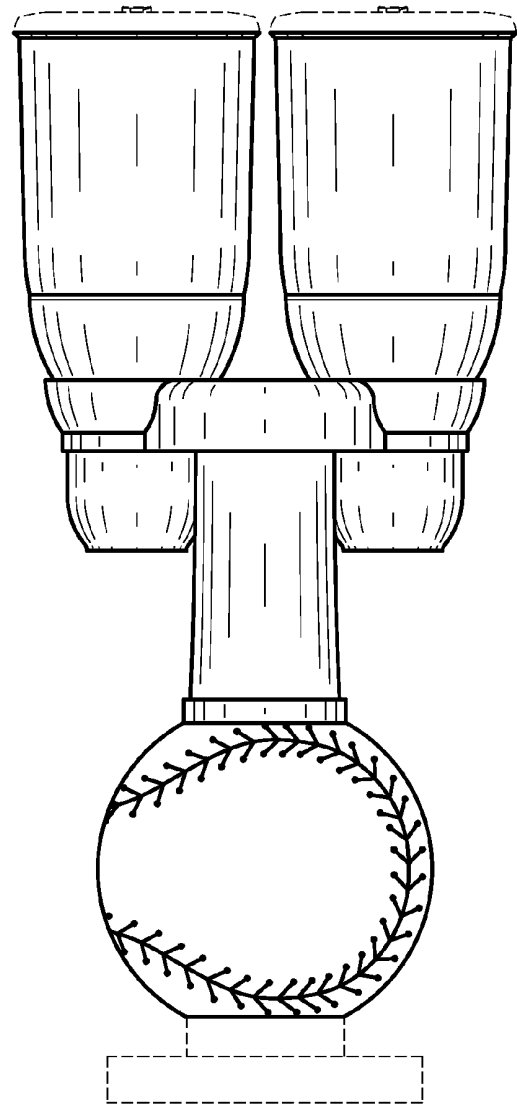


Fig. 3

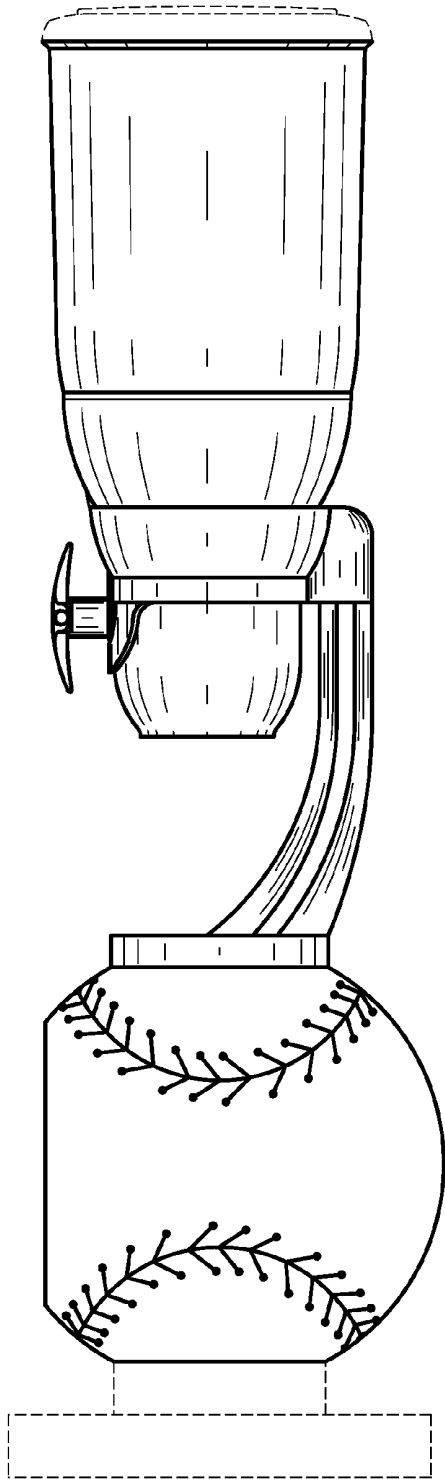


Fig. 4

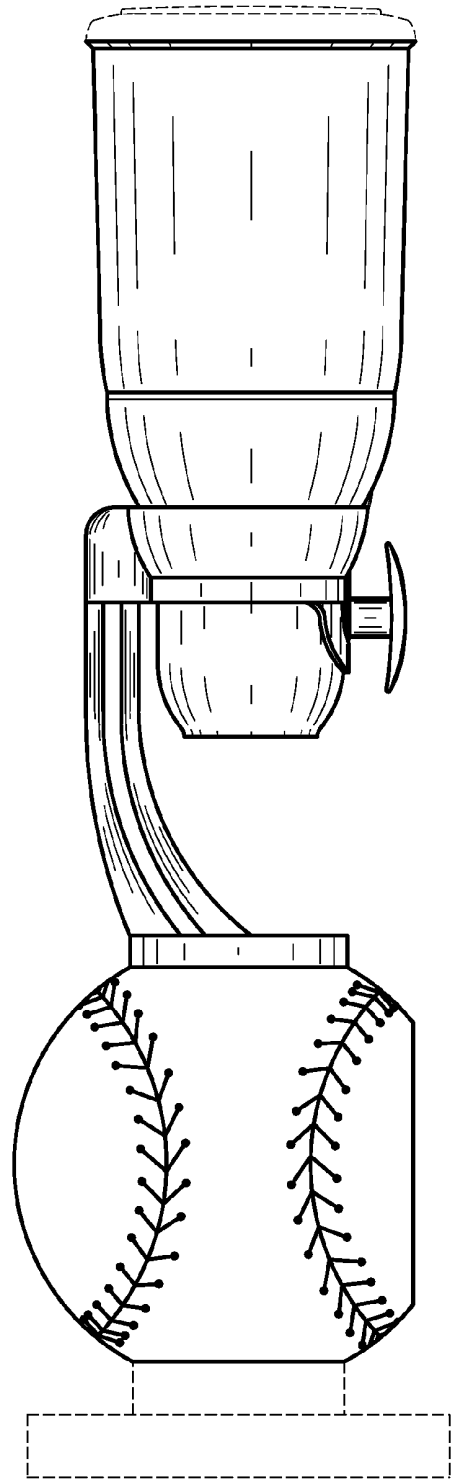


Fig. 5

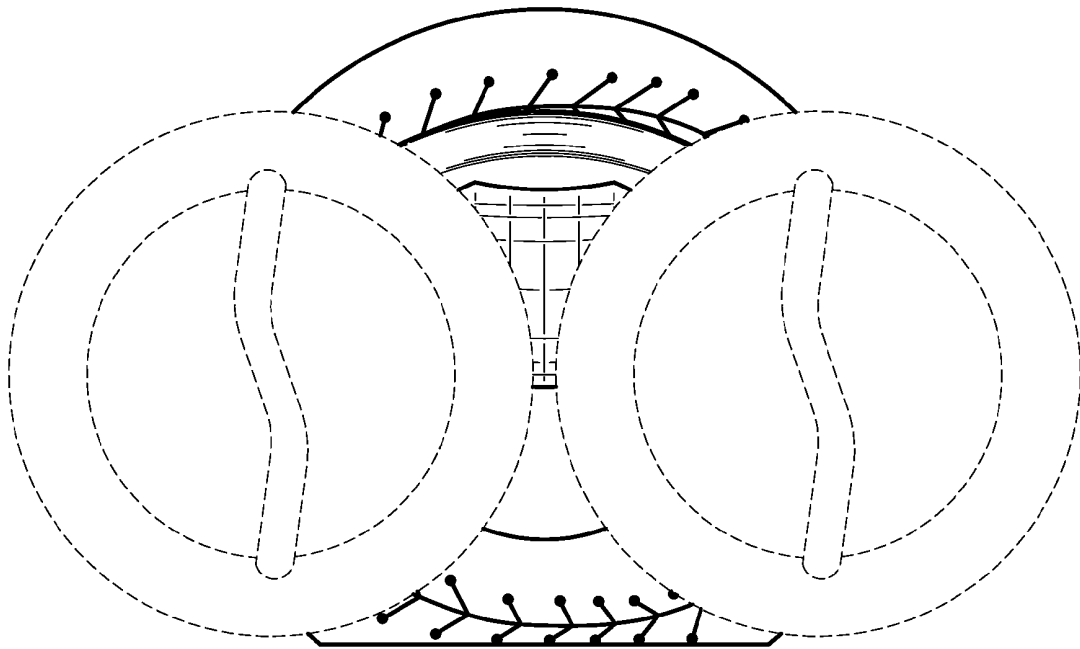


Fig. 6

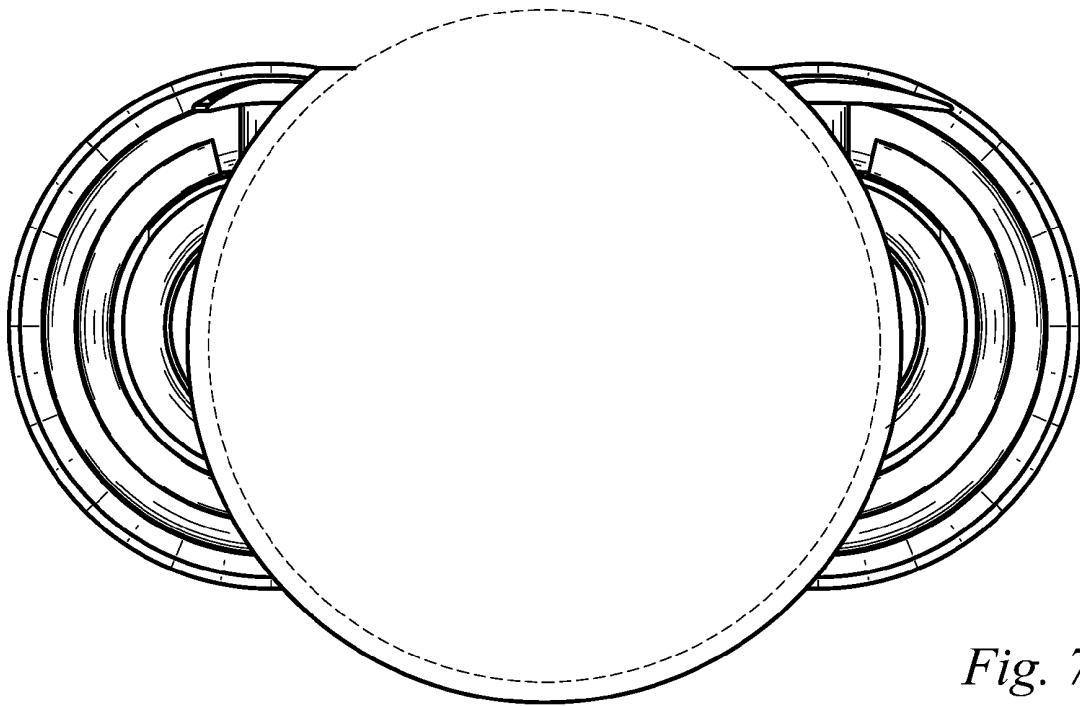


Fig. 7