



US00D608213S

(12) **United States Design Patent**  
**Kuzma et al.**

(10) **Patent No.:** **US D608,213 S**

(45) **Date of Patent:** **\*\* Jan. 19, 2010**

(54) **BOTTLE**

(75) Inventors: **Gene J. Kuzma**, Powell, OH (US);  
**Jonathan Davia**, Dublin, OH (US);  
**Tristan Herstol**, Columbus, OH (US)

(73) Assignee: **GK Packaging, Inc.**, Plain City, OH (US)

(\*\*) Term: **14 Years**

(21) Appl. No.: **29/319,279**

(22) Filed: **Jun. 6, 2008**

(51) **LOC (9) Cl.** ..... **09-01**

(52) **U.S. Cl.** ..... **D9/573; D9/558; D9/574**

(58) **Field of Classification Search** ..... D9/516,  
D9/522, 530, 541-543, 559, 561, 572-575,  
D9/682, 686; 215/381-385; 220/669

See application file for complete search history.

(56) **References Cited**

**U.S. PATENT DOCUMENTS**

- D21,382 S 3/1892 Hannold
- D28,182 S 1/1898 Whittall
- D52,472 S 9/1918 Corey
- D94,189 S 1/1935 Cassidy
- D97,178 S 10/1935 Clevenger
- D106,370 S 10/1937 Pancoast
- D106,628 S 10/1937 Leach, Jr.
- D143,421 S 1/1946 Gasner
- 2,586,687 A 2/1952 Mellon
- D207,511 S \* 4/1967 Riordan ..... D9/558
- 3,342,379 A 9/1967 Foley
- D214,554 S 7/1969 Ottman et al.
- 3,874,562 A 4/1975 Hazard
- D247,221 S 2/1978 Landor et al.
- D248,088 S 6/1978 Britt
- D256,555 S 8/1980 Beeman
- D261,107 S 10/1981 Harris
- D263,281 S 3/1982 Smith
- D266,990 S 11/1982 Cook
- D268,647 S 4/1983 Kingsford
- D273,564 S 4/1984 Spielhoff

- D279,454 S \* 7/1985 Fleming ..... D9/574
- D281,863 S 12/1985 Beechuk et al.
- D286,616 S \* 11/1986 Becker ..... D9/574
- D294,804 S \* 3/1988 Lunderman et al. .... D9/574
- D302,385 S \* 7/1989 Weiler ..... D9/573
- D306,695 S 3/1990 Smith
- D310,329 S 9/1990 Schmidt
- D317,259 S 6/1991 Schmidt

(Continued)

**FOREIGN PATENT DOCUMENTS**

EM 00533633-0012 5/2006

*Primary Examiner*—Stella M Reid  
*Assistant Examiner*—Keli L Hill  
(74) *Attorney, Agent, or Firm*—Gallagher & Dawsey Co.,  
LPA; Michael J. Gallagher; David J. Dawsey

(57) **CLAIM**

The ornamental design for a bottle, as shown and described.

**DESCRIPTION**

FIG. 1 is a front elevational view of the claimed design, the rear elevational view being identical.

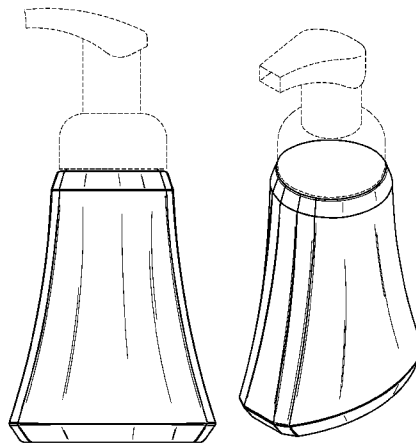
FIG. 2 is a perspective view of the front and left side thereof, the rear and right side perspective being identical.

FIG. 3 is an elevation of the right side thereof, the left elevation being identical; and,

FIG. 4 is a top plan view thereof.

The broken-line disclosure in the views is for illustrative purposes only and forms no part of the claimed design.

**1 Claim, 3 Drawing Sheets**



# US D608,213 S

Page 2

## U.S. PATENT DOCUMENTS

D322,937 S	1/1992	Dinand	D448,678 S	10/2001	Bakic
D324,820 S	3/1992	Hayman et al.	D450,597 S	11/2001	Bobchenok et al.
D336,246 S	6/1993	Narvaez	6,321,923 B1	11/2001	Wood
D336,845 S *	6/1993	Carroll et al. .... D9/691	D457,069 S	5/2002	Palaia
D347,388 S	5/1994	Crawford	D471,111 S	3/2003	Kuzma et al.
D347,389 S	5/1994	Crawford	D481,950 S	11/2003	Bakic
D347,794 S	6/1994	Lewis	D486,065 S	2/2004	Hutchinson et al.
5,392,937 A	2/1995	Prevot et al.	D489,267 S	5/2004	Rennie et al.
D356,038 S	3/1995	Biesecker	D496,867 S	10/2004	Kuzma et al.
D368,859 S	4/1996	LoPreto	D500,954 S	1/2005	Kuzma et al.
5,542,585 A	8/1996	Peters et al.	D501,141 S	1/2005	Bakic
D392,897 S	3/1998	Biesecker et al.	D502,400 S	3/2005	Cinquino et al.
D395,396 S	6/1998	Kuzma et al.	D505,079 S	5/2005	Mulder et al.
D396,191 S	7/1998	Kuzma et al.	D509,148 S	9/2005	Wilson et al.
D397,608 S	9/1998	Fiore	D514,448 S	2/2006	Kuzma et al.
D403,592 S	1/1999	Everard et al.	D521,386 S	5/2006	Priestman
D408,740 S	4/1999	Jones et al.	D522,867 S	6/2006	Bakic
D409,092 S	5/1999	Beasley	D525,872 S	8/2006	Haubert et al.
D412,851 S	8/1999	Nosella	D525,873 S	8/2006	Haubert et al.
D413,807 S	9/1999	Mikla	D527,636 S	9/2006	Bakic
5,954,213 A	9/1999	Gerhart et al.	D529,388 S	10/2006	Bakic
D415,037 S	10/1999	Pritchard et al.	D529,810 S	10/2006	Davies et al.
D417,624 S	12/1999	Herrmann et al.	D535,887 S	1/2007	Haubert, III et al.
D423,370 S	4/2000	Lewin	D535,888 S	1/2007	Kuzma et al.
D424,448 S	5/2000	Weber	D535,891 S	1/2007	Varlet
D425,408 S	5/2000	Bakic	D538,174 S *	3/2007	Isono et al. .... D9/565
D427,073 S	6/2000	Gaffney et al.	D541,162 S	4/2007	Pleines et al.
D428,343 S	7/2000	Waitzenegger	D551,555 S	9/2007	Escobosa et al.
D428,578 S	7/2000	Waitzenegger	D553,001 S	10/2007	Granitz
D433,637 S	11/2000	Hailey et al.	D559,114 S	1/2008	Breitlander
D437,775 S	2/2001	Dalmau	D563,793 S	3/2008	Nomoto
D439,843 S	4/2001	Dalmau	D567,664 S	4/2008	Rica
D444,390 S	7/2001	Kokenge et al.	D579,783 S *	11/2008	Katcher ..... D9/546

\* cited by examiner

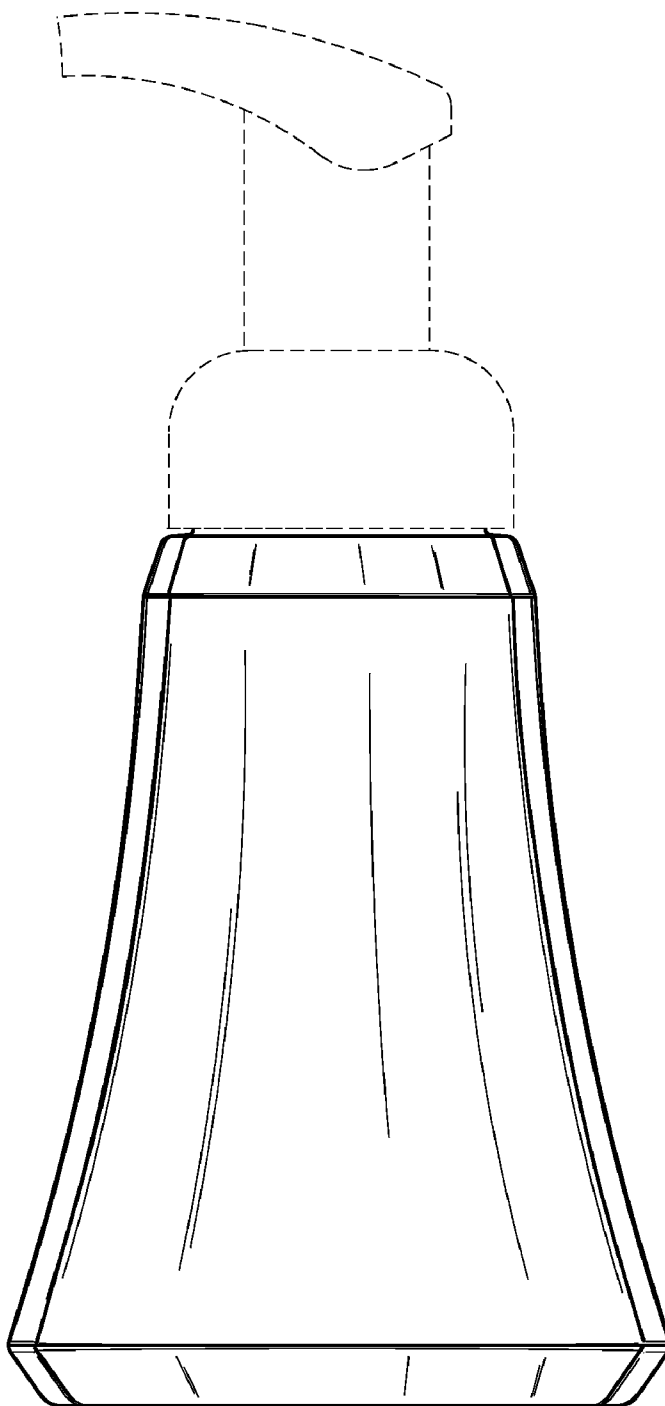


Fig. 1

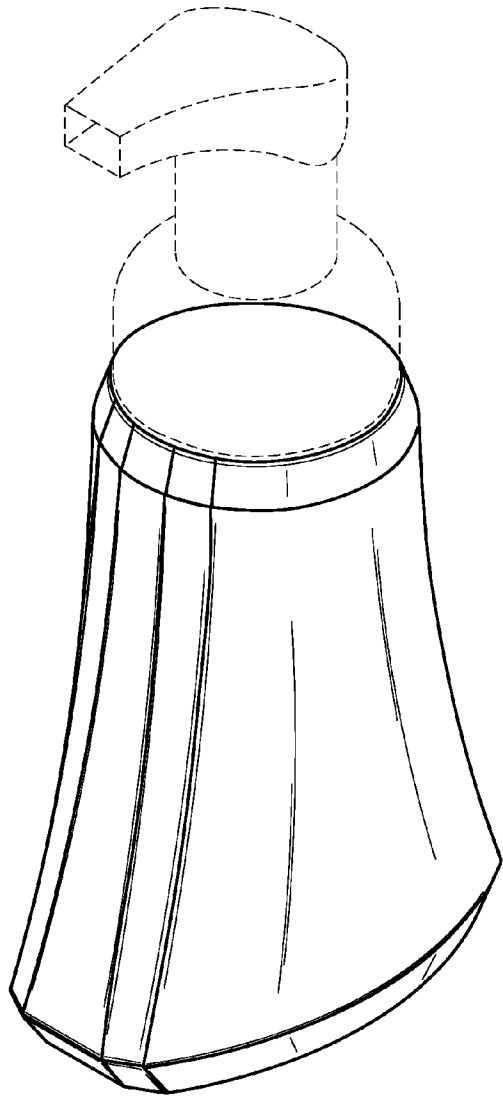


Fig. 2

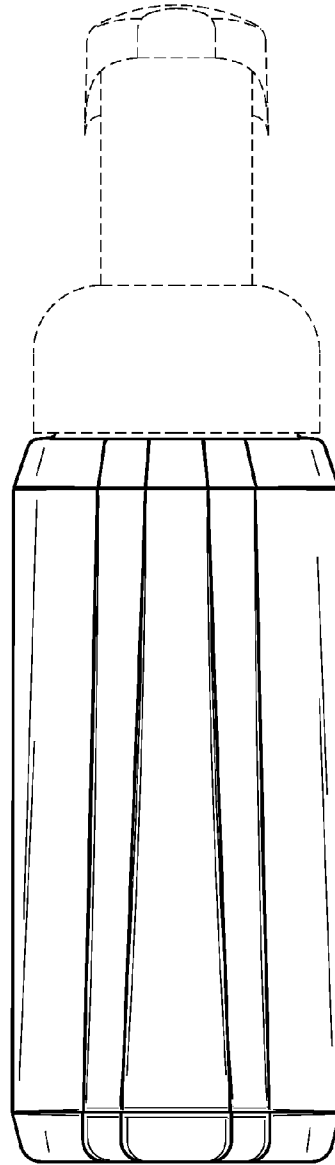


Fig. 3

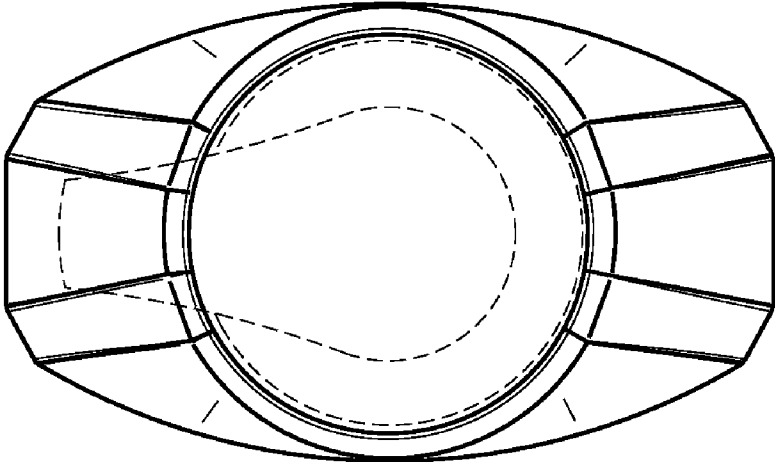


Fig. 4