

(12) **United States Design Patent**
Howard

(10) **Patent No.:** US D787,615 S
(45) **Date of Patent:** ** May 23, 2017

- (54) **GOLF PRACTICE AID**
- (71) Applicant: **Reed Howard**, Santa Monica, CA (US)
- (72) Inventor: **Reed Howard**, Santa Monica, CA (US)
- (**) Term: **15 Years**
- (21) Appl. No.: **29/554,803**
- (22) Filed: **Feb. 16, 2016**
- (51) **LOC (10) Cl.** **21-02**
- (52) **U.S. Cl.**
USPC **D21/791**
- (58) **Field of Classification Search**
USPC D21/789, 791; D2/865, 866, 882, 883,
D2/891, 893
CPC A63B 69/3608; A63B 2071/0694; G02C
3/02
See application file for complete search history.

4,739,991 A	4/1988	Flinn, Jr.	
4,762,325 A *	8/1988	McCleery	A63B 69/3608 2/209.13
4,789,159 A	12/1988	Kane	
4,790,539 A	12/1988	Clark	
4,896,375 A	1/1990	Colucci	
4,936,584 A	6/1990	Ewald et al.	
5,171,152 A *	12/1992	McCleery	A63B 69/3608 2/209.13
5,253,870 A *	10/1993	Bedney	A63B 69/3608 273/DIG. 17
D352,757 S *	11/1994	Gerhardt	D21/792
D359,334 S *	6/1995	Taylor	D21/791
5,467,992 A	11/1995	Harkness	
5,538,250 A *	7/1996	Putz	A63B 69/3608 473/210

(Continued)

FOREIGN PATENT DOCUMENTS

- WO WO2014165716 A2 10/2014
- Primary Examiner* — Mitchell Siegel
(74) *Attorney, Agent, or Firm* — Gallagher & Dawsey
Co., LPA; David J. Dawsey; Michael J. Gallagher

(56) **References Cited**

U.S. PATENT DOCUMENTS

1,169,188 A *	1/1916	Peck	G01C 3/12 2/422
2,330,442 A	9/1943	Nero	
2,717,385 A	9/1955	Linster	
3,109,654 A	11/1963	Comitz	
3,178,187 A	4/1965	Cardwell	
3,437,339 A *	4/1969	Starck	A63B 69/3608 2/195.1
3,670,417 A	6/1972	Rogers	
3,729,199 A	4/1973	Granberg	
3,826,502 A	7/1974	Sorge	
3,951,414 A	4/1976	Nunez	
4,063,740 A	12/1977	Mader	
4,079,940 A	3/1978	Arakaki	
D254,212 S	2/1980	Jones	
4,298,201 A *	11/1981	Palinkas	A63B 69/3608 473/210
4,307,885 A	12/1981	Pidcock	
4,696,111 A	9/1987	Gardner	

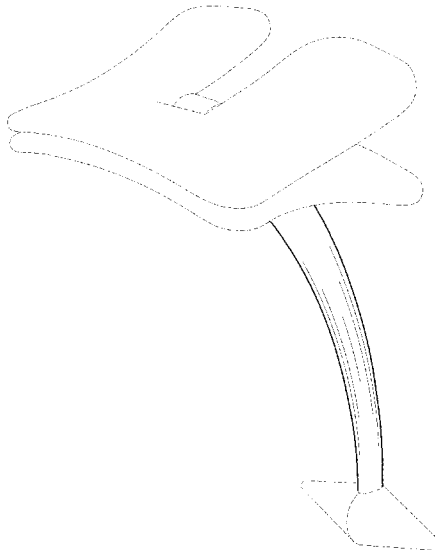
(57) **CLAIM**

I claim the ornamental design for a golf practice aid, as shown and described.

DESCRIPTION

FIG. 1 is an isometric view of a golf practice aid showing the new design;
FIG. 2 is a front elevation view thereof; and
FIG. 3 is a rear elevation view thereof.
FIG. 4 is a left side elevation view thereof;
FIG. 5 is a right side elevation view thereof;
FIG. 6 is a top plan view thereof; and,
FIG. 7 is a bottom plan view thereof.
The broken lines are for illustrative purposes only and form no part of the claimed design.

1 Claim, 4 Drawing Sheets



(56)

References Cited

U.S. PATENT DOCUMENTS

5,722,898	A	3/1998	Witten	
D415,234	S *	10/1999	Feinbloom	D21/791
D443,328	S *	6/2001	Martin	D21/791
6,390,823	B1	5/2002	Wesenhagen	
6,672,972	B1	1/2004	Stone	
7,803,059	B2	9/2010	Zhang	
7,918,744	B1	4/2011	Rim	
7,997,992	B2 *	8/2011	Rim	A42B 1/24 473/210
D649,213	S *	11/2011	Rim	D21/791
8,376,751	B2	2/2013	Ranciato	
8,690,699	B1 *	4/2014	Enstad	A63B 69/3608 473/207
D769,389	S *	10/2016	Altemus, Jr.	D21/791
D772,997	S *	11/2016	Stassi, Jr.	D21/791
2008/0146363	A1	6/2008	Solari	

* cited by examiner

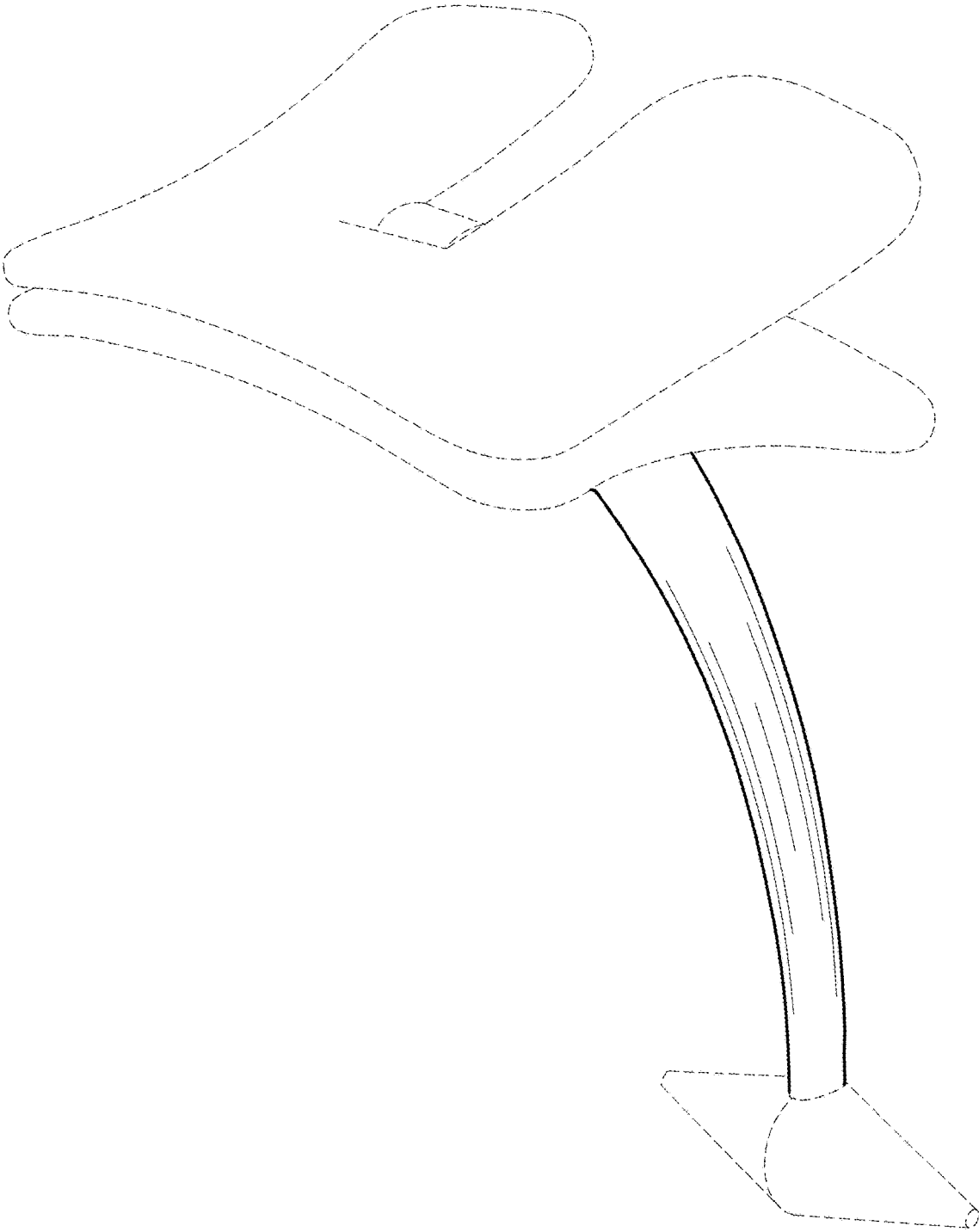


Fig. 1

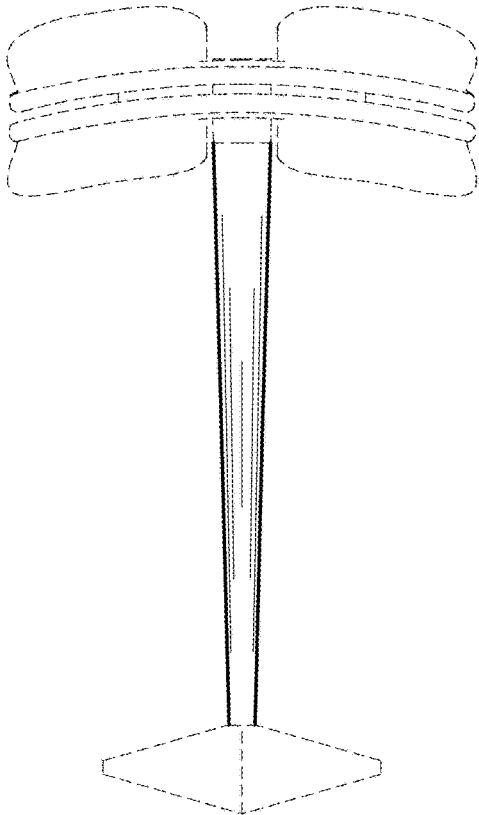


Fig. 2

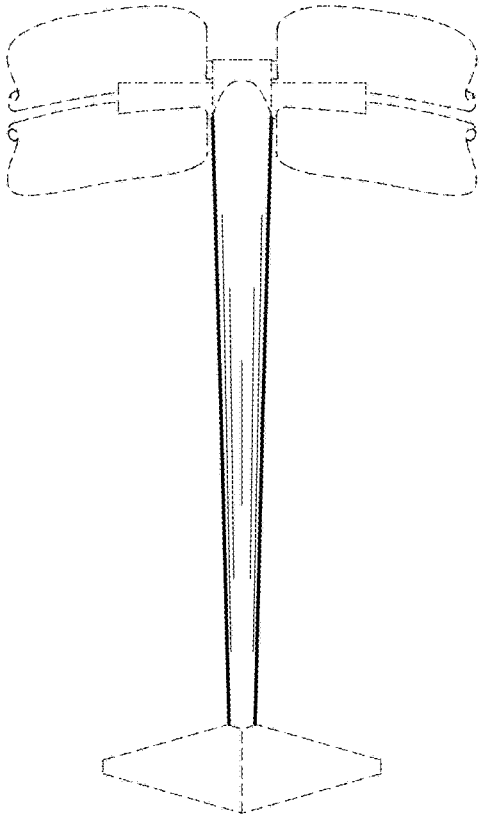


Fig. 3

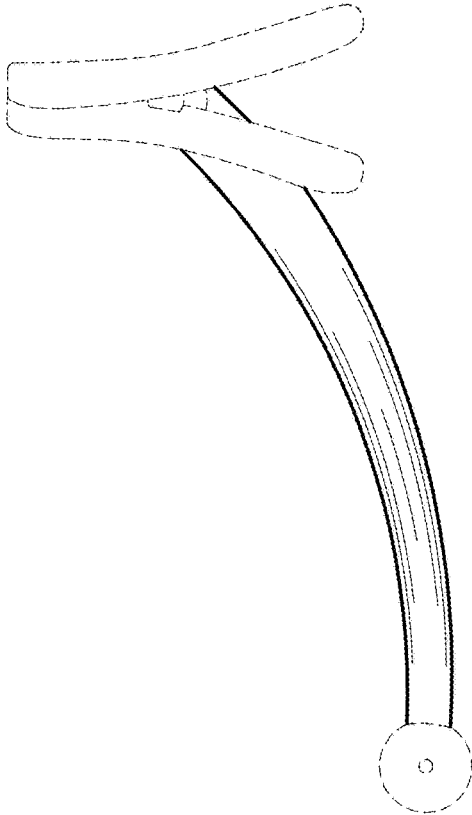


Fig. 4

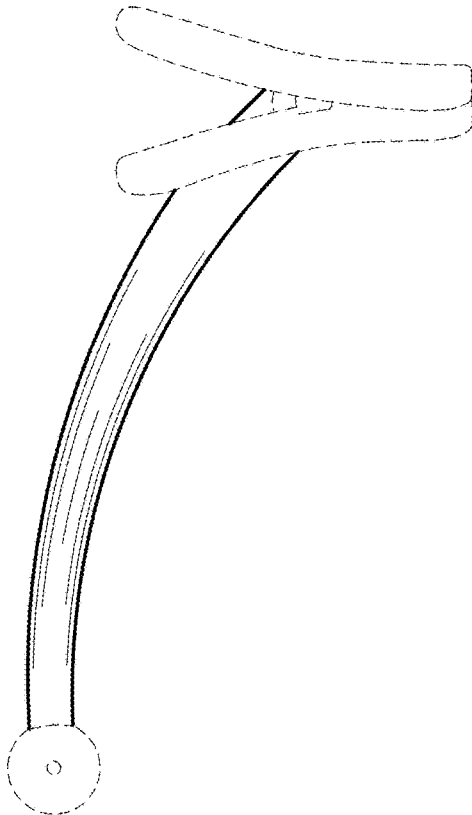


Fig. 5

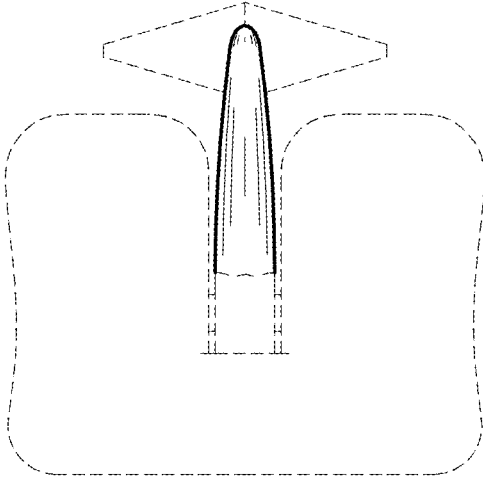


Fig. 6

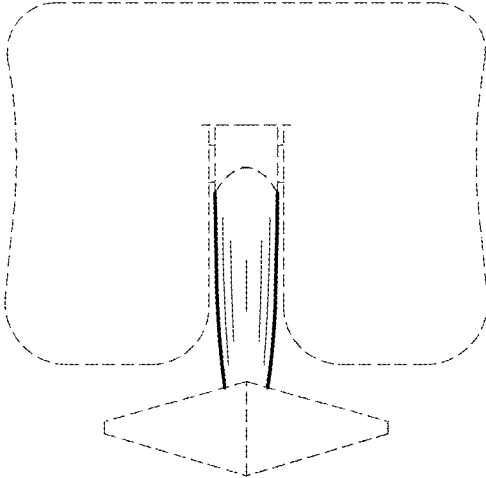


Fig. 7