



US00D806473S

(12) **United States Design Patent**
McGuffin-Noll et al.

(10) **Patent No.:** **US D806,473 S**

(45) **Date of Patent:** **** Jan. 2, 2018**

(54) **PORTION OF A BASE FOR A FOOD SLICER**

(71) Applicant: **GLOBE FOOD EQUIPMENT COMPANY**, Dayton, OH (US)

(72) Inventors: **Douglas McGuffin-Noll**, Westerville, OH (US); **Peter Dierauer**, Jamestown, OH (US)

(73) Assignee: **GLOBE FOOD EQUIPMENT COMPANY**, Dayton, OH (US)

(**) Term: **15 Years**

(21) Appl. No.: **29/548,583**

(22) Filed: **Dec. 15, 2015**

(51) **LOC (11) Cl.** **31-00**

(52) **U.S. Cl.**
USPC **D7/412**; D7/381; D7/383

(58) **Field of Classification Search**
USPC D7/376-386, 412
CPC A47J 47/005; B26D 1/14; B26D 1/143; B26D 1/15; B26D 1/153; B26D 1/157; B26D 1/18; B26D 1/28; B26D 5/00; B26D 5/06; B26D 5/08; B26D 5/10; B26D 5/12; B26D 5/22; B26D 5/26; B26D 5/38; B26D 5/42; B26D 7/00; B26D 7/01; B26D 7/08; B26D 7/12; B26D 7/18; B26D 7/1818; B26D 7/22; B26D 7/225; B26D 7/24; B26D 7/26; B26D 7/2614; B26D 7/2621; B26D 7/2628; B26D 7/2635; B26D 7/30; B26D 7/32; B26D 7/325; B27G 13/00; B27G 13/005; B27G 13/10

See application file for complete search history.

(56) **References Cited**

U.S. PATENT DOCUMENTS

- 504,940 A * 9/1893 Reed A47J 47/005 269/15
- D107,855 S * 1/1938 Dapp D7/383

- D145,406 S * 8/1946 Meyer D7/383
- D155,292 S * 9/1949 Klingens et al. D7/383
- 2,563,120 A * 8/1951 Klingens B26D 1/153 83/174
- D165,082 S * 11/1951 Little D7/383
- 2,598,740 A * 6/1952 Zimmermann B26D 1/153 451/422
- 3,051,207 A * 8/1962 Hartley B26D 1/143 83/401
- 3,613,754 A * 10/1971 Hartley B26D 1/153 83/718
- 4,817,480 A * 4/1989 Young B26D 7/12 451/419
- D372,165 S 7/1996 Shirk et al.
- D390,414 S 2/1998 Shirk et al.
- D404,661 S 1/1999 Yamamoto et al.
- D422,449 S 4/2000 Johnson et al.
- D463,713 S 10/2002 Zhu
- D618,518 S 6/2010 De Buyer et al.
- D623,469 S * 9/2010 Alessi D7/381

(Continued)

Primary Examiner — Ricky Pham

(74) *Attorney, Agent, or Firm* — Gallagher & Dawsey Co., LPA; David J. Dawsey; Michael J. Gallagher

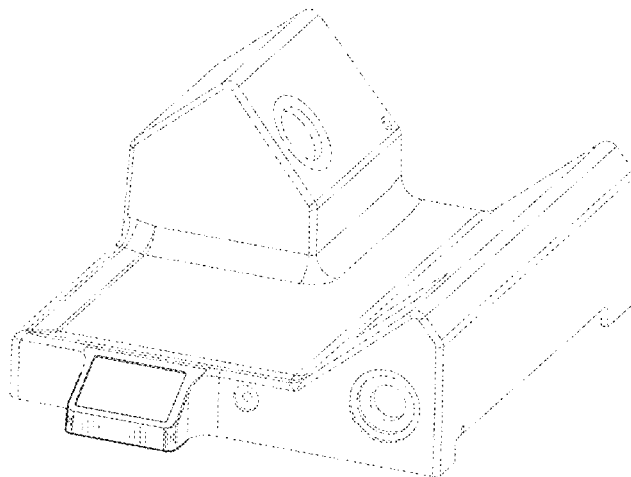
(57) **CLAIM**

The ornamental design for a portion of a base for a food slicer, as shown and described.

DESCRIPTION

FIG. 1 is a front perspective view of the design; FIG. 2 is left side elevation view thereof; FIG. 3 a right side elevation view thereof; FIG. 4 is a front elevation view thereof; FIG. 5 is a rear side elevation view thereof; FIG. 6 is a top plan view thereof; and, FIG. 7 is a bottom plan view thereof. The broken lines show unclaimed subject matter only and form no part of the claimed design.

1 Claim, 7 Drawing Sheets



(56)

References Cited

U.S. PATENT DOCUMENTS

D651,868 S 1/2012 Thornton
D652,693 S 1/2012 De Buyer et al.

* cited by examiner

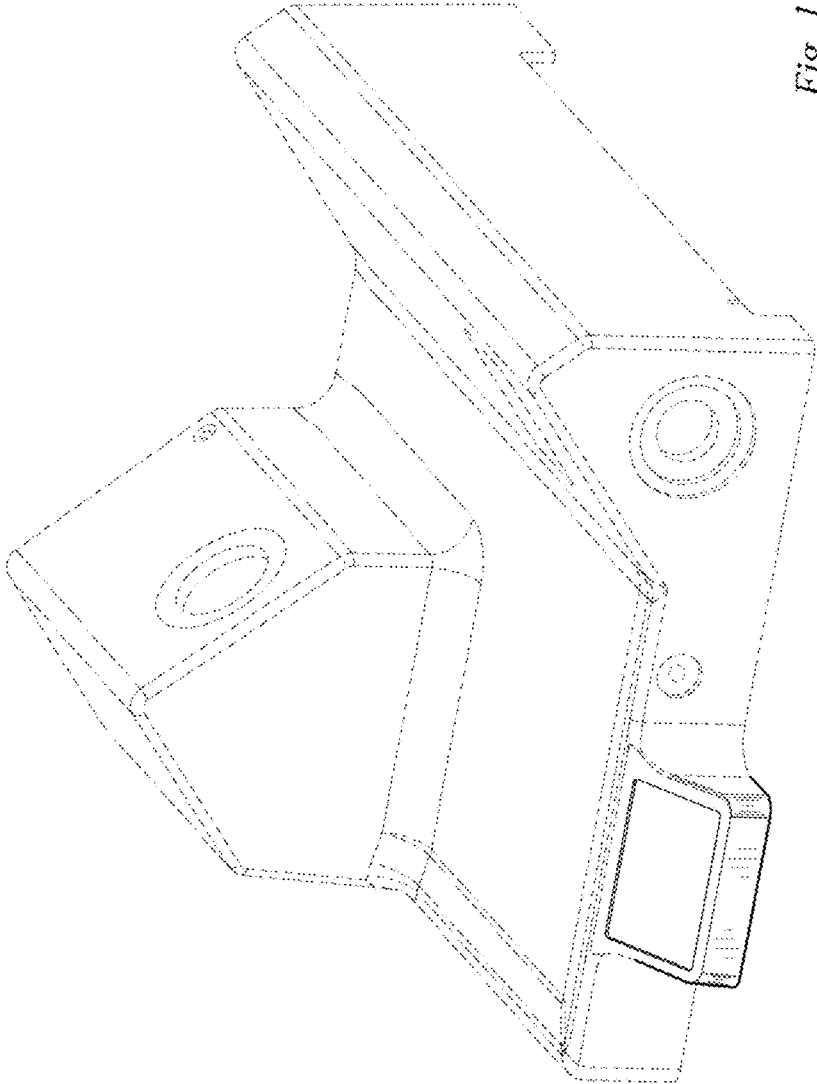


Fig. 1

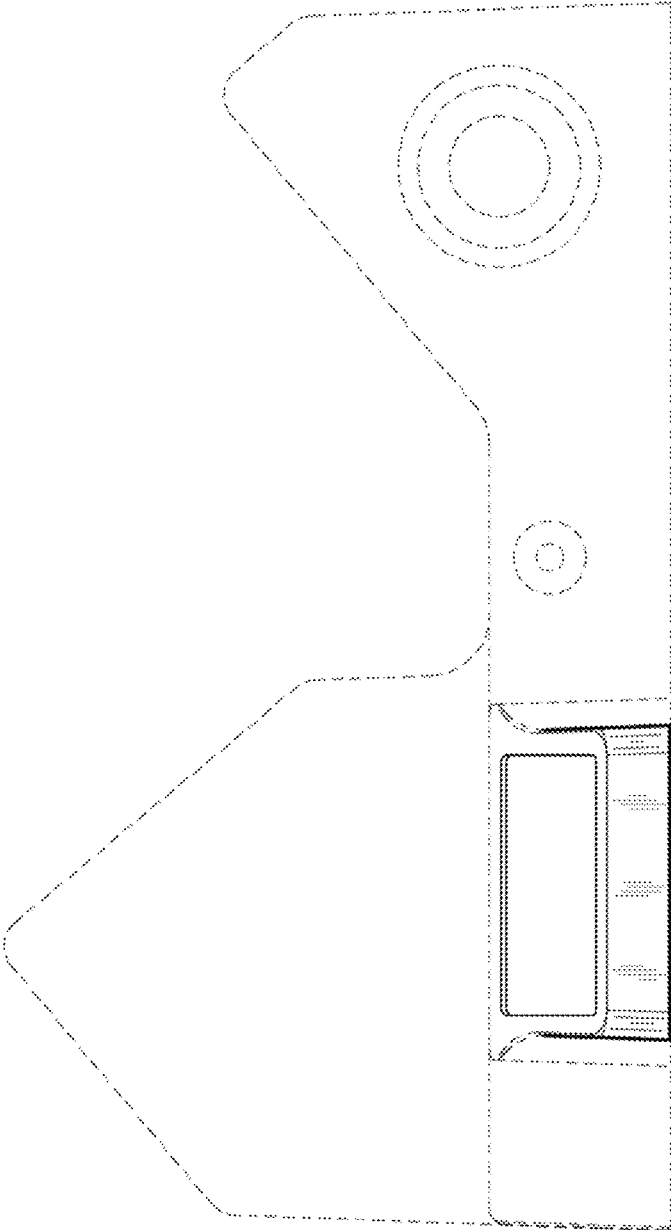


Fig. 2

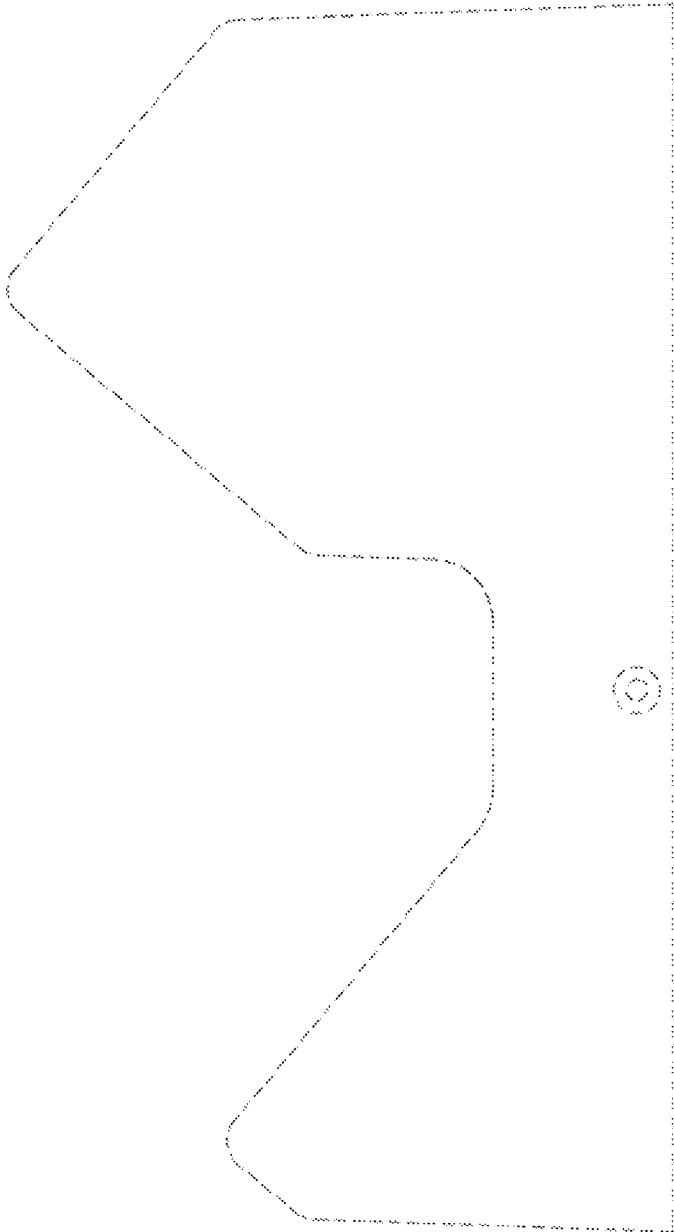


Fig. 3

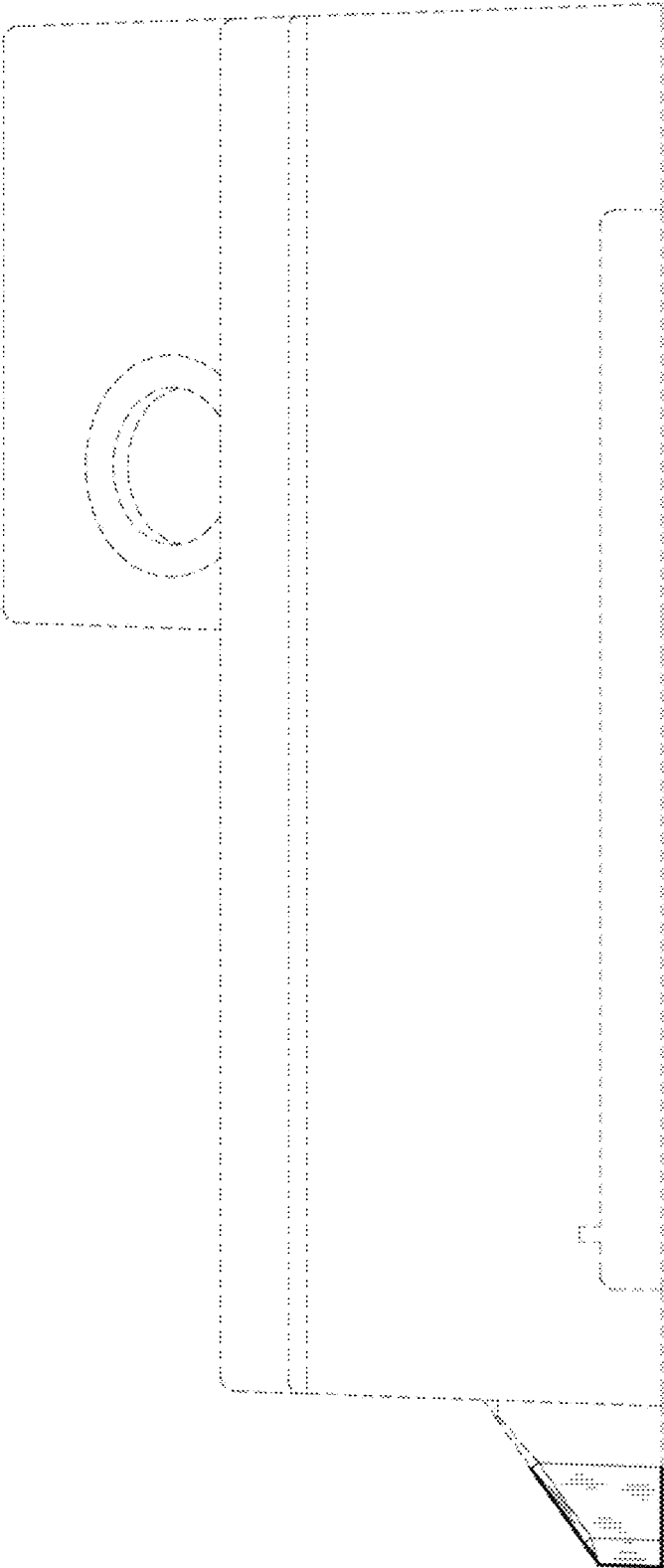


Fig. 4

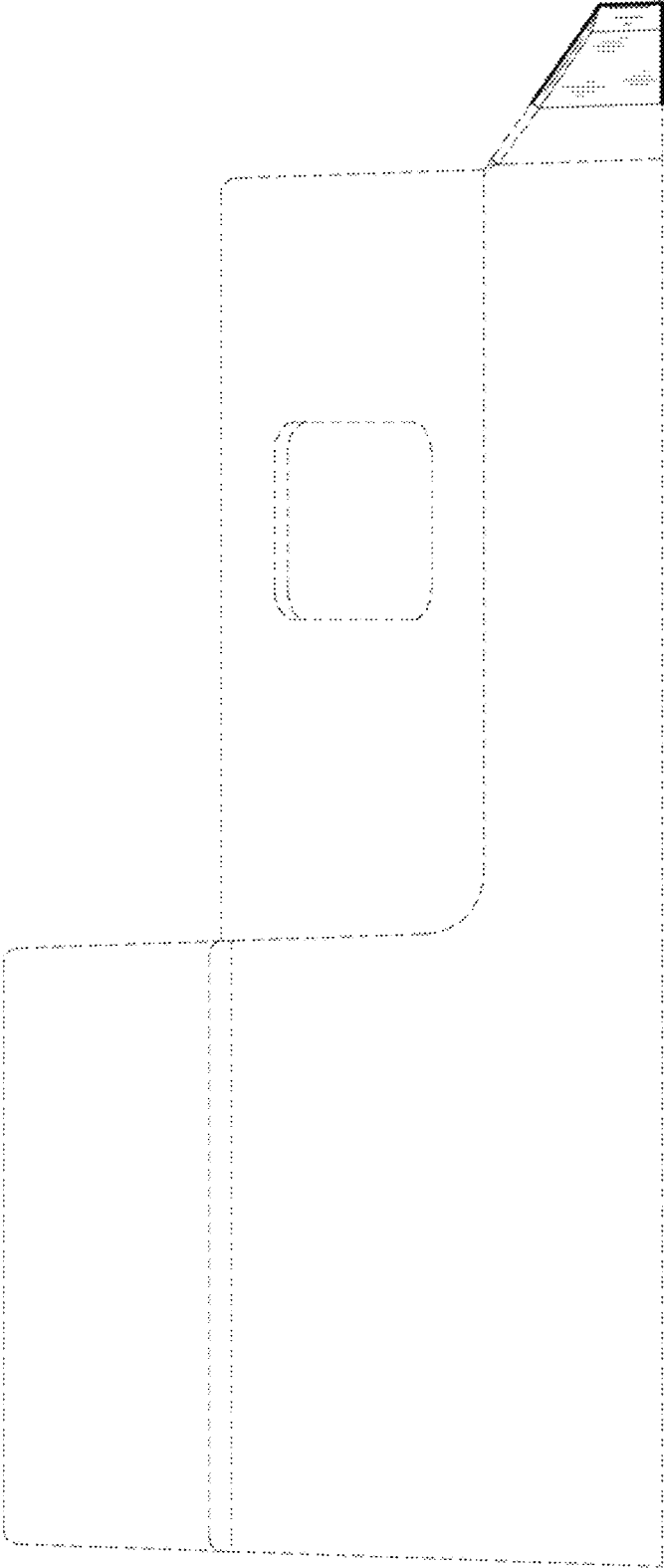


Fig. 5

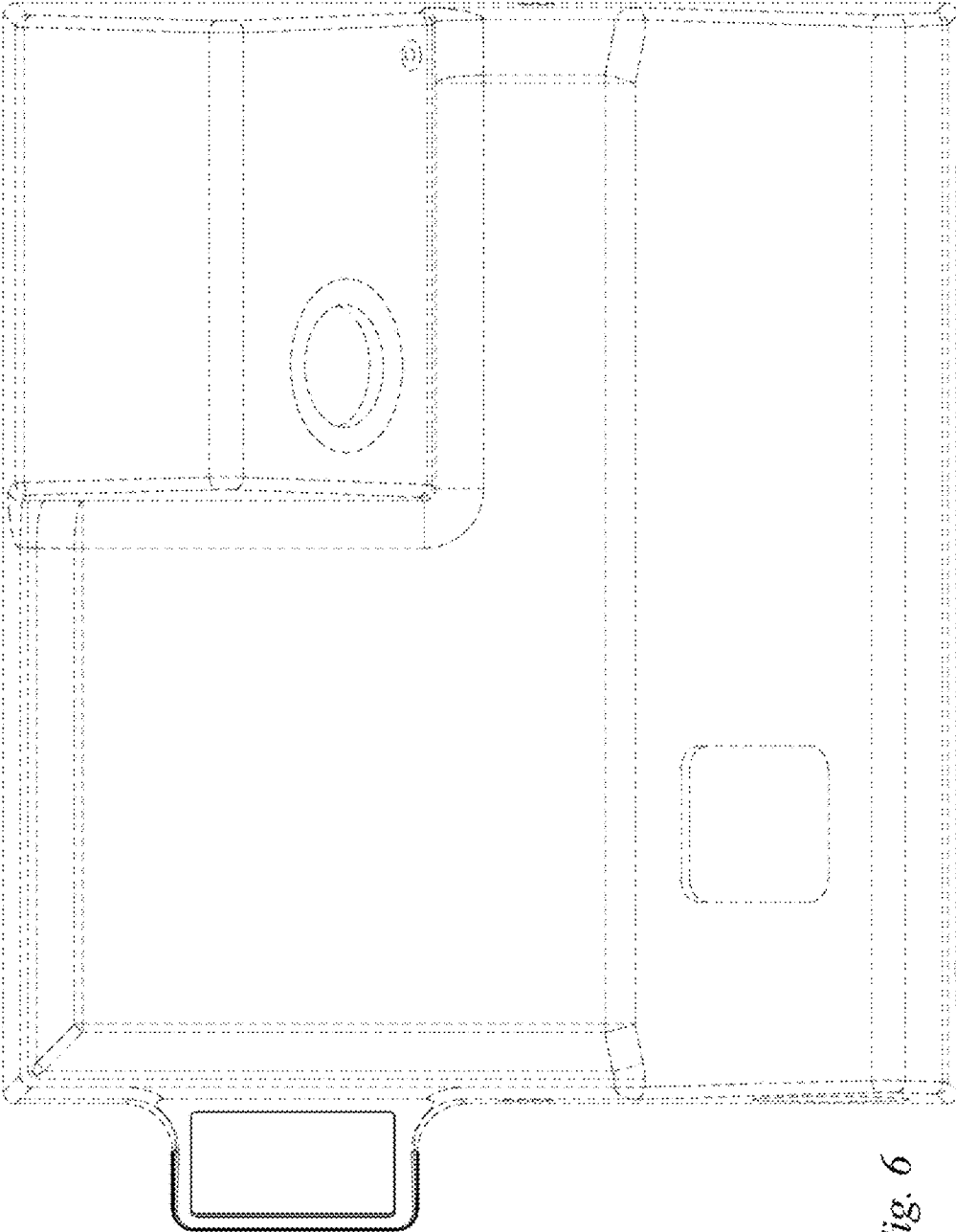


Fig. 6

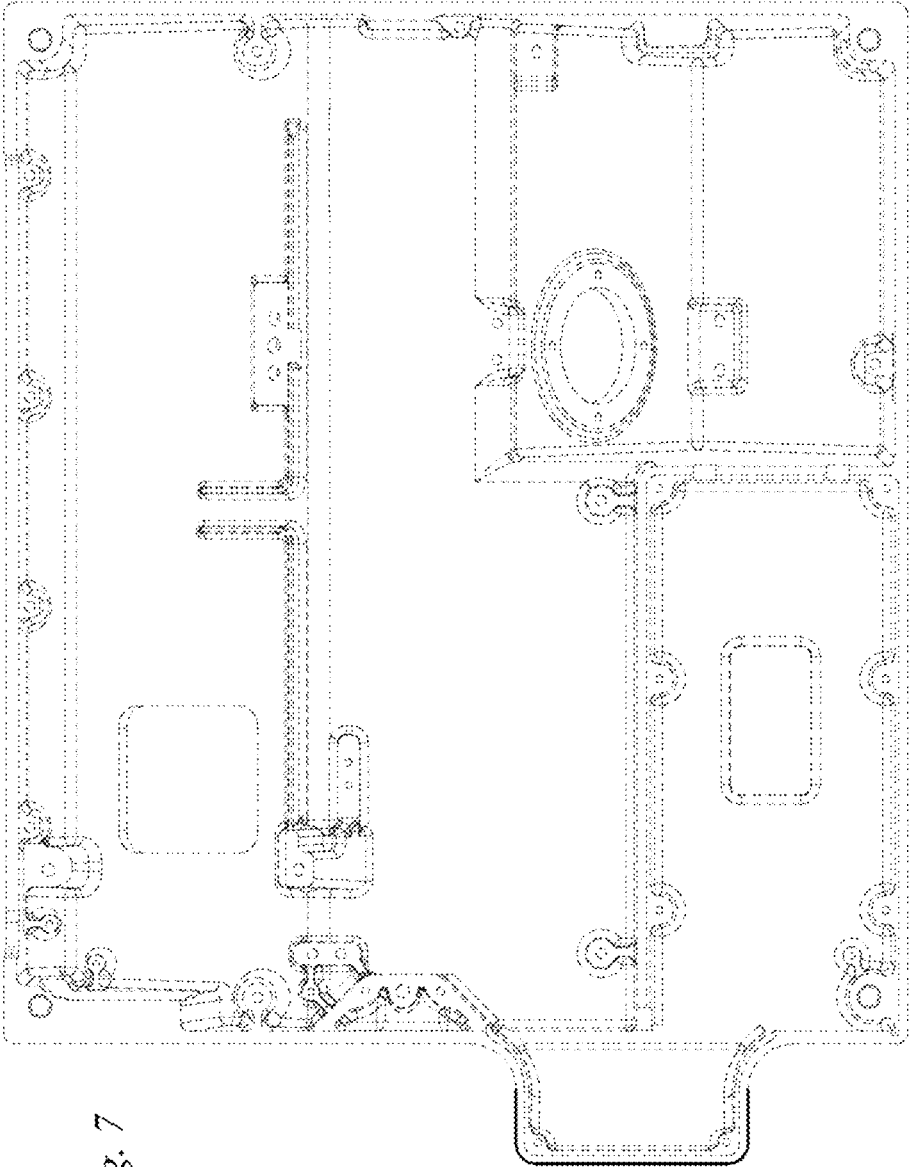


Fig. 7