



US00D807117S

(12) **United States Design Patent**  
**McGuffin-Noll et al.**

(10) **Patent No.:** **US D807,117 S**  
(45) **Date of Patent:** **\*\* Jan. 9, 2018**

- (54) **BASE FOR A FOOD SLICER**
  - (71) Applicant: **GLOBE FOOD EQUIPMENT COMPANY**, Dayton, OH (US)
  - (72) Inventors: **Douglas McGuffin-Noll**, Westerville, OH (US); **Peter Dierauer**, Jamestown, OH (US)
  - (73) Assignee: **GLOBE FOOD EQUIPMENT COMPANY**, Dayton, OH (US)
  - (\*\*) Term: **15 Years**
  - (21) Appl. No.: **29/548,580**
  - (22) Filed: **Dec. 15, 2015**
  - (51) **LOC (11) Cl.** ..... **31-00**
  - (52) **U.S. Cl.**  
USPC ..... **D7/412**; D7/381; D7/383
  - (58) **Field of Classification Search**  
USPC ..... D7/376-386, 412  
CPC ..... A47J 47/005; B26D 1/14; B26D 1/143; B26D 1/15; B26D 1/153; B26D 1/157; B26D 1/18; B26D 1/28; B26D 5/00; B26D 5/06; B26D 5/08; B26D 5/10; B26D 5/12; B26D 5/22; B26D 5/26; B26D 5/38; B26D 5/42; B26D 7/00; B26D 7/01; B26D 7/08; B26D 7/12; B26D 7/18; B26D 7/1818; B26D 7/22; B26D 7/225; B26D 7/24; B26D 7/26; B26D 7/2614; B26D 7/2621; B26D 7/2628; B26D 7/2635; B26D 7/30; B26D 7/32; B26D 7/325; B27G 13/00; B27G 13/005; B27G 13/10
- See application file for complete search history.

D145,406 S *	8/1946	Meyer	.....	D7/383
D155,292 S *	9/1949	Klingens	.....	D7/383
2,563,120 A *	8/1951	Klingens	.....	B26D 1/153
				83/174
D165,082 S *	11/1951	Little	.....	D7/383
2,598,740 A *	6/1952	Zimmermann	.....	B26D 1/153
				451/422
3,051,207 A *	8/1962	Hartley	.....	B26D 1/143
				83/401
3,613,754 A *	10/1971	Hartley	.....	B26D 1/153
				83/718
4,817,480 A *	4/1989	Young	.....	B26D 7/12
				451/419
D372,165 S	7/1996	Shirk et al.		
D390,414 S	2/1998	Shirk et al.		
D404,661 S	1/1999	Yamamoto et al.		
D422,449 S	4/2000	Johnson et al.		
D463,713 S	10/2002	Zhu		
D618,518 S	6/2010	De Buyer et al.		
D623,469 S *	9/2010	Alessi	.....	D7/381

(Continued)

*Primary Examiner* — Ricky Pham  
(74) *Attorney, Agent, or Firm* — Gallagher & Dawsey Co., LPA; David J. Dawsey; Michael J. Gallagher

(57) **CLAIM**

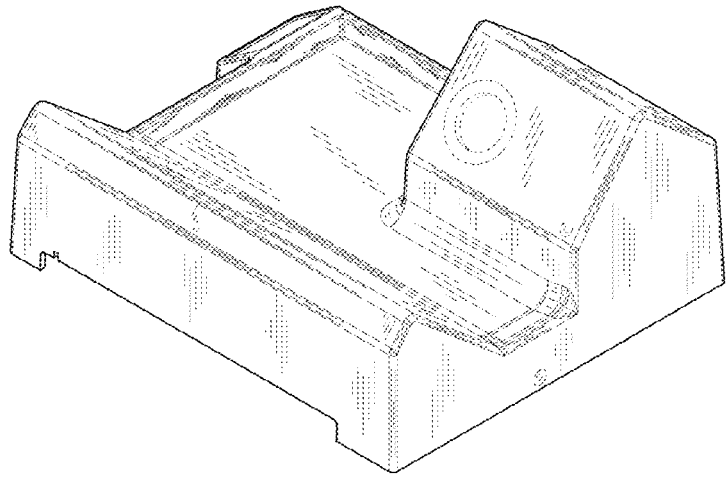
The ornamental design for a base for a food slicer, as shown and described.

**DESCRIPTION**

FIG. 1 is a front perspective view of the design; FIG. 2 is a side perspective view of the design; FIG. 3 is left side elevation view thereof; FIG. 4 a right side elevation view thereof; FIG. 5 is a front elevation view thereof; FIG. 6 is a rear side elevation view thereof; FIG. 7 is a top plan view thereof; and, FIG. 8 is a bottom plan view thereof. The broken lines show unclaimed subject matter only and form no part of the claimed design.

**1 Claim, 8 Drawing Sheets**

- (56) **References Cited**  
U.S. PATENT DOCUMENTS  
504,940 A \* 9/1893 Reed ..... A47J 47/005  
269/15  
D107,855 S \* 1/1938 Dapp ..... D7/383



(56)

**References Cited**

U.S. PATENT DOCUMENTS

D651,868 S 1/2012 Thornton  
D652,693 S 1/2012 De Buyer et al.

\* cited by examiner

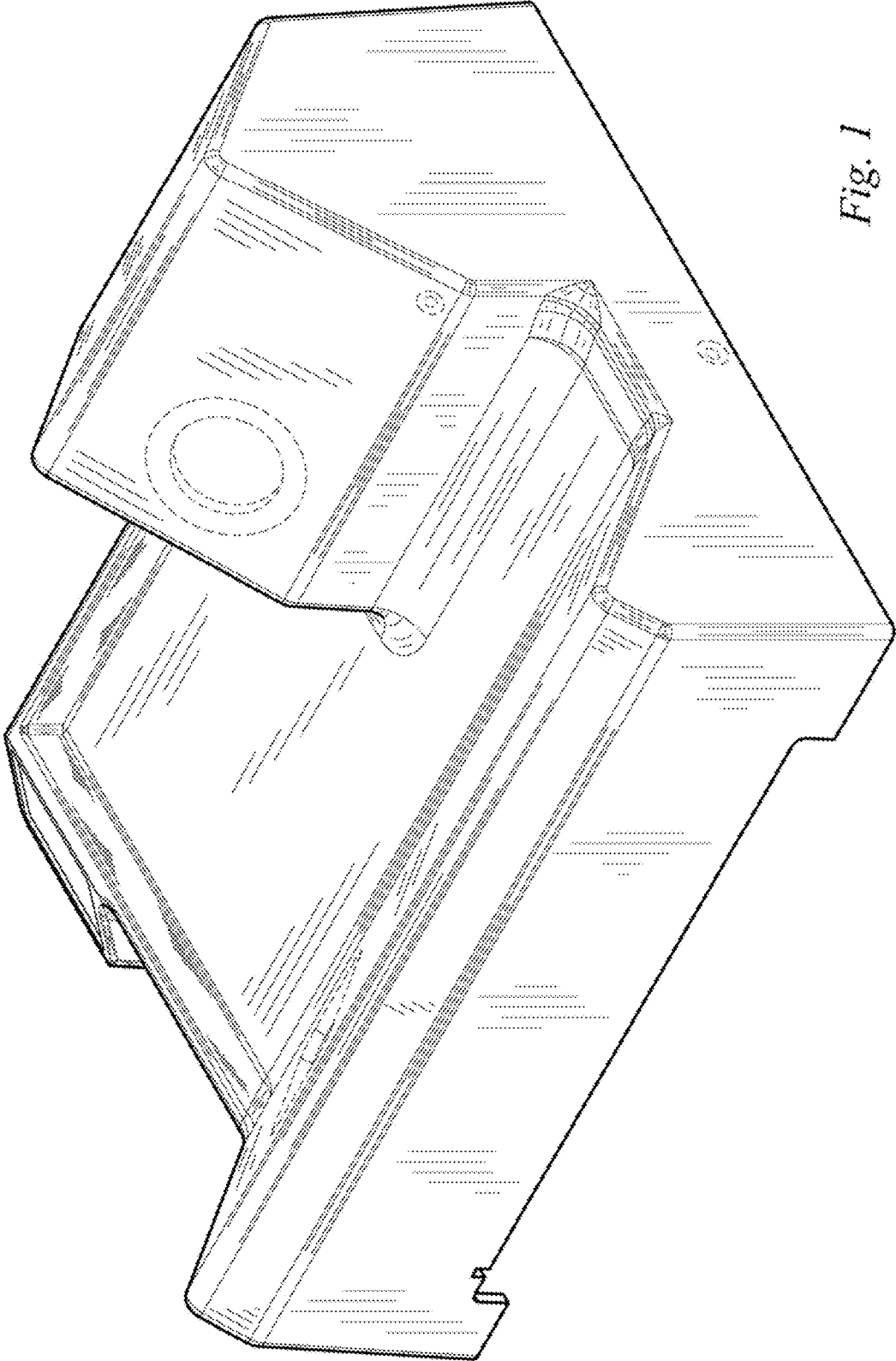


Fig. 1

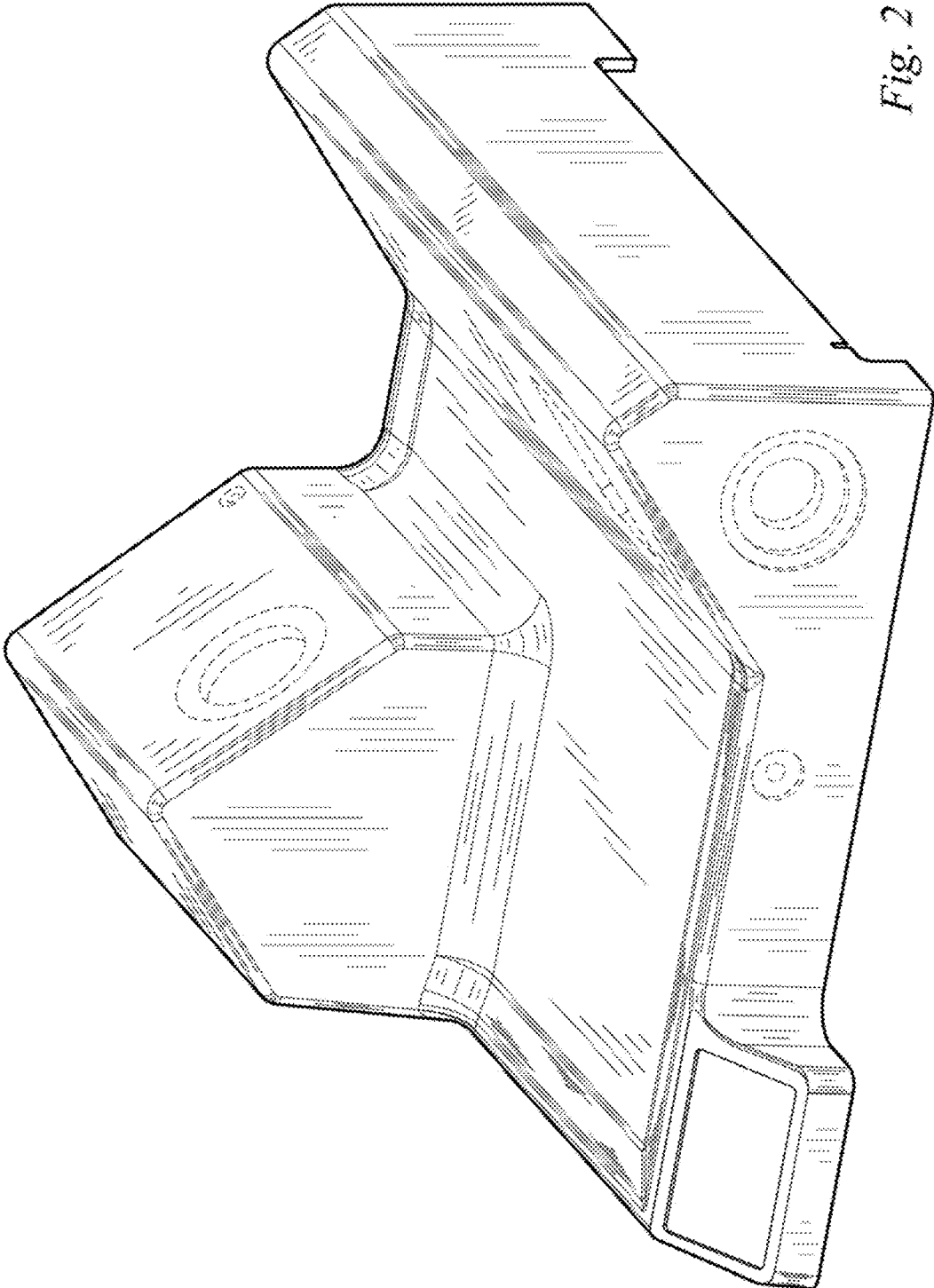


Fig. 2

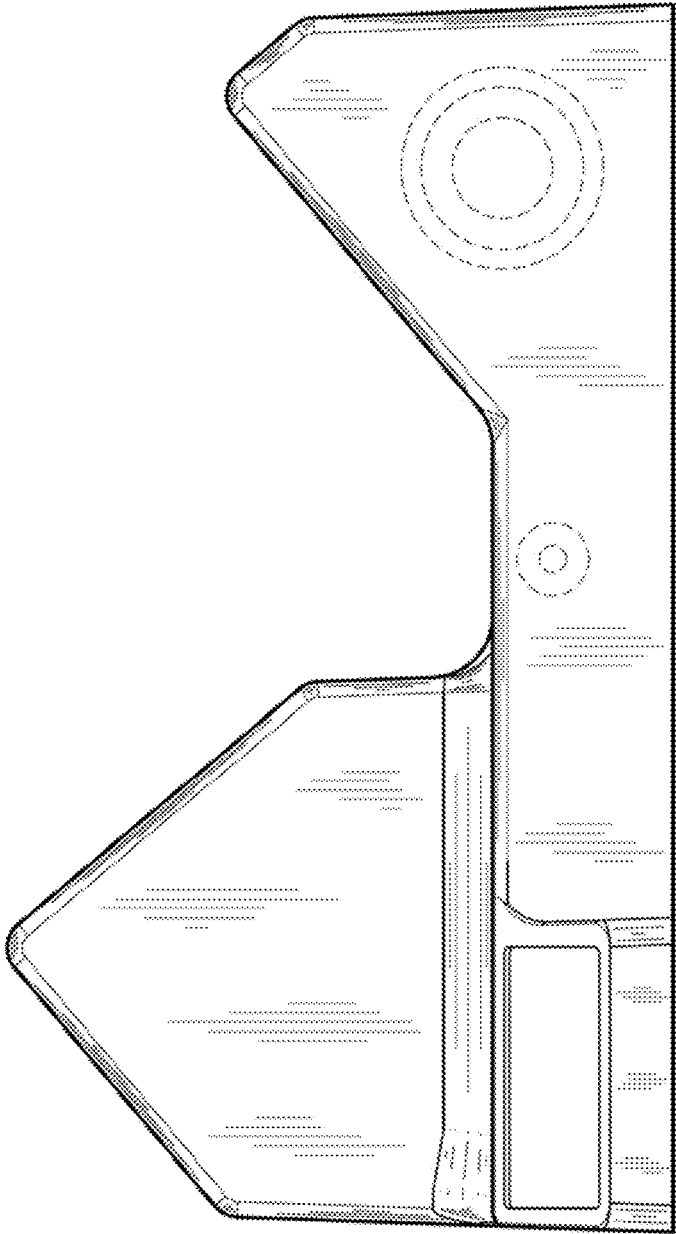
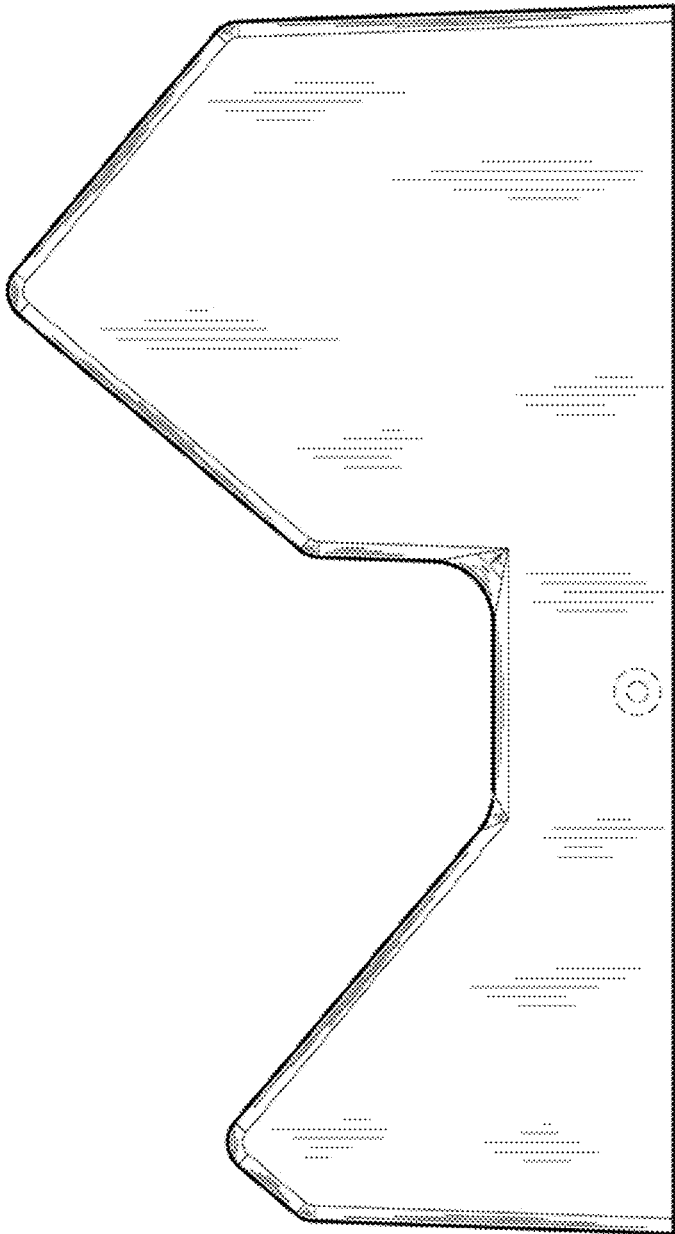


Fig. 3



*Fig. 4*

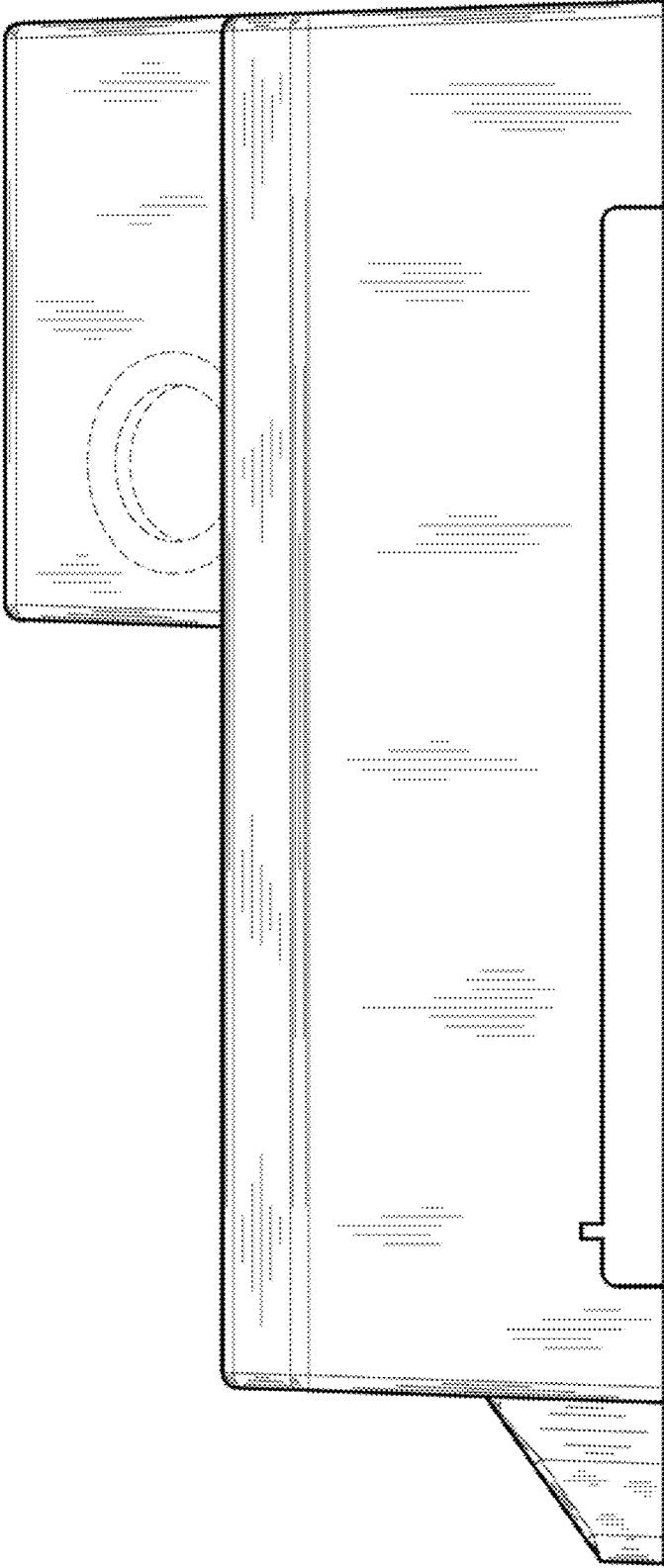


Fig. 5

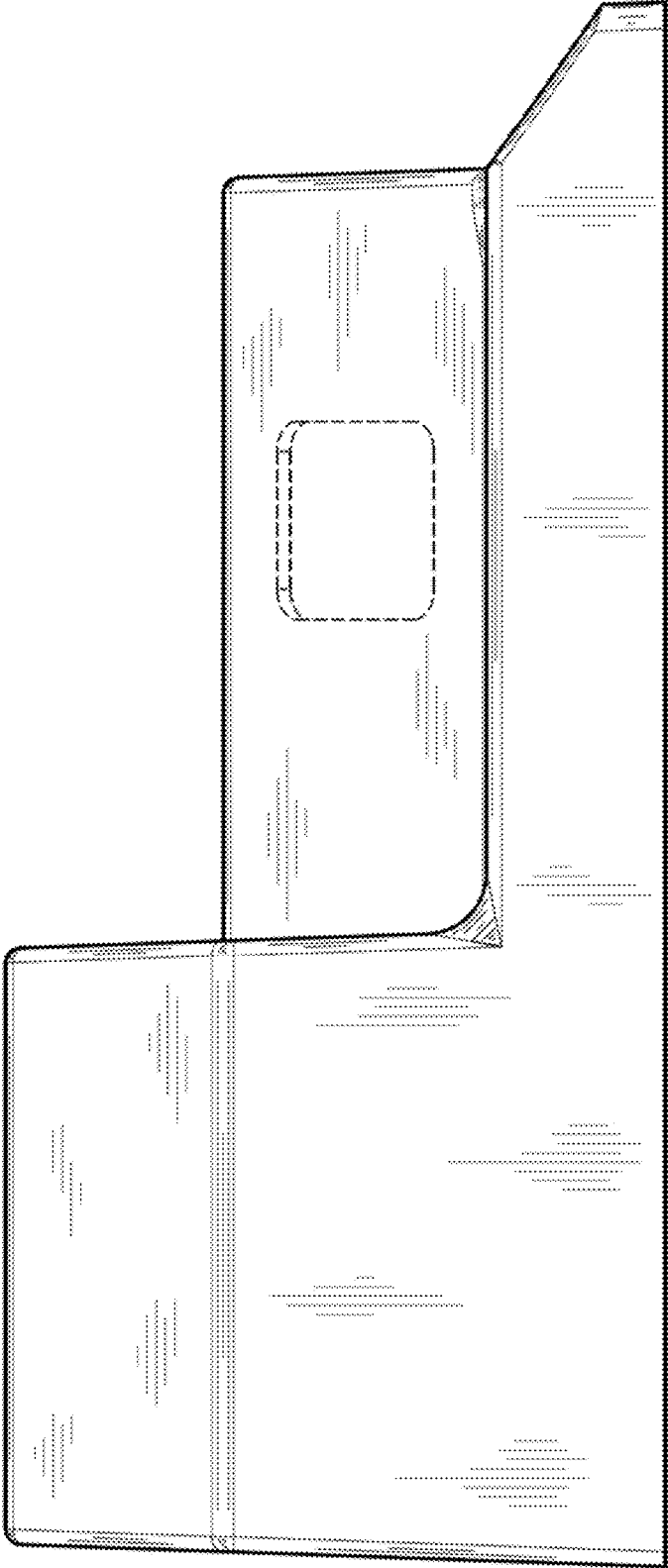


Fig. 6



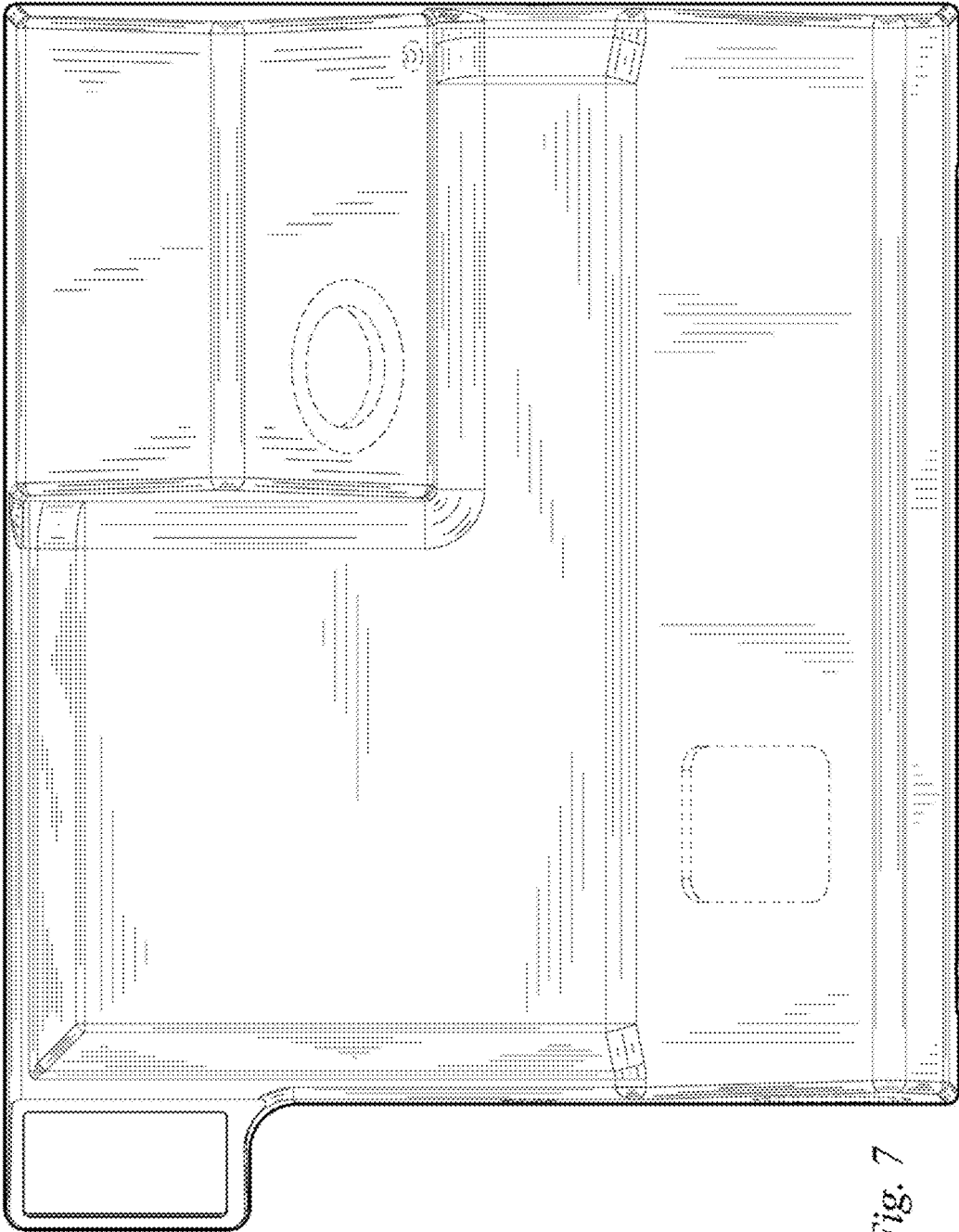


Fig. 7

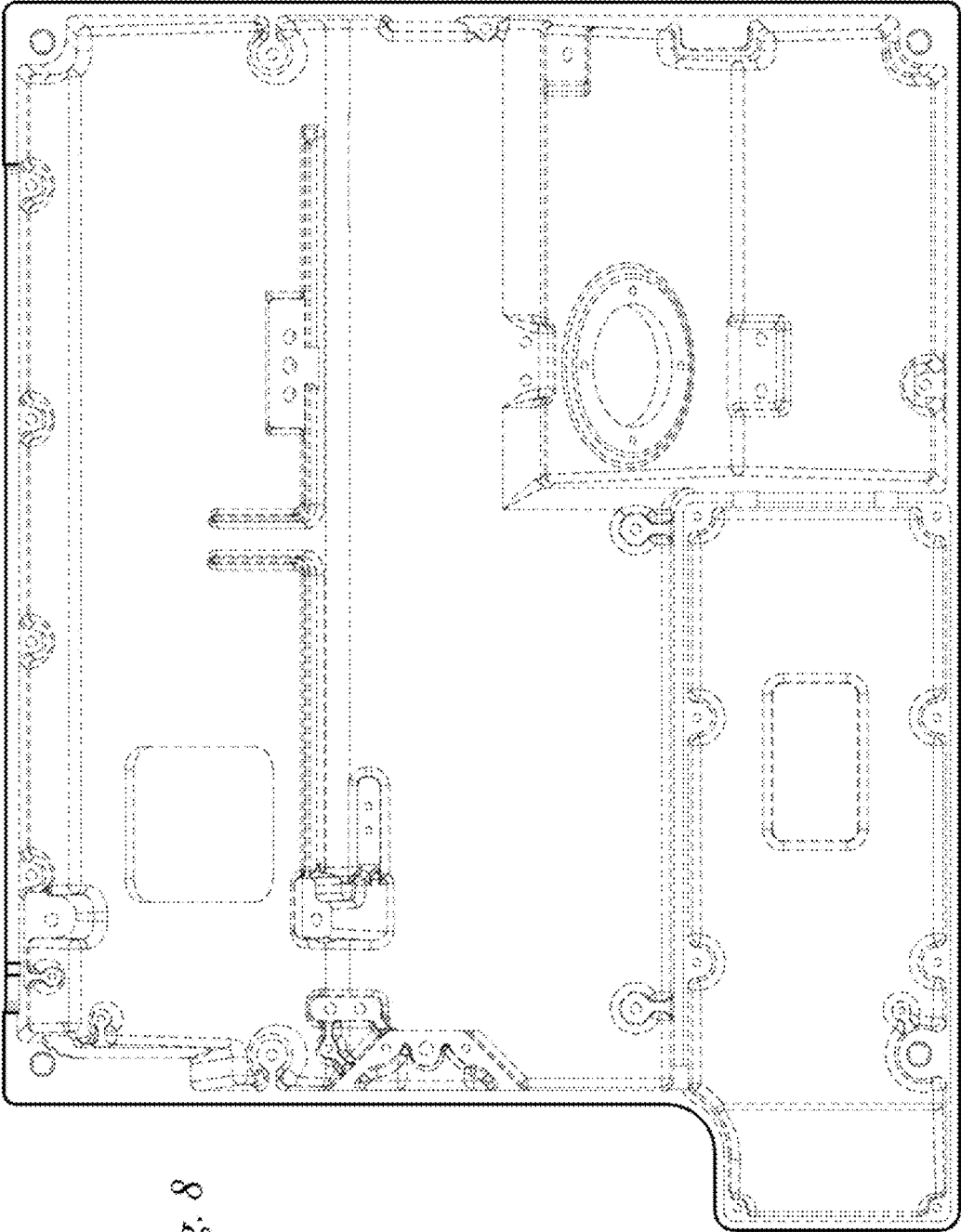


Fig. 8