



US00D517207S

(12) **United States Design Patent** (10) **Patent No.:** **US D517,207 S**  
**Poynter** (45) **Date of Patent:** **\*\* Mar. 14, 2006**

(54) **VIAL**  
(75) **Inventor:** **Richard Q. Poynter**, Crystal Lake, IL (US)  
(73) **Assignee:** **R.P. Scherer Technologies, Inc.**, Las Vegas, NV (US)  
(\*\*) **Term:** **14 Years**

5,678,736	A	10/1997	Hansen	
D392,184	S	* 3/1998	Weiler	..... D9/696
5,845,264	A	12/1998	Nellhaus	
6,241,124	B1	6/2001	Hoyt	
6,357,626	B1	3/2002	Zhang	
D469,867	S	* 2/2003	Masuda et al.	..... D24/115
D470,240	S	* 2/2003	Niedbala et al.	..... D24/223
6,585,134	B1	* 7/2003	Farris	..... 222/541.6
D492,407	S	* 6/2004	Masuda et al.	..... D24/115
6,860,405	B1	3/2005	Poynter	

(21) **Appl. No.:** **29/189,356**  
(22) **Filed:** **Sep. 3, 2003**

\* cited by examiner

(51) **LOC (8) Cl.** ..... **24-02**  
(52) **U.S. Cl.** ..... **D24/115; D24/117**  
(58) **Field of Classification Search** ..... D24/115, D24/117, 141, 216, 223-226; 222/23, 209, 222/215, 541.6; D9/695-699; 206/528, 530, 206/532; 422/68.1, 58, 102, 81; 435/970; D10/46, 81

*Primary Examiner*—Louis S. Zarfes  
*Assistant Examiner*—Melanie Levy  
(74) *Attorney, Agent, or Firm*—Donald O. Nickey; Michael J. Gallagher

See application file for complete search history.

(57) **CLAIM**

The ornamental design for a vial, as shown.

(56) **References Cited**

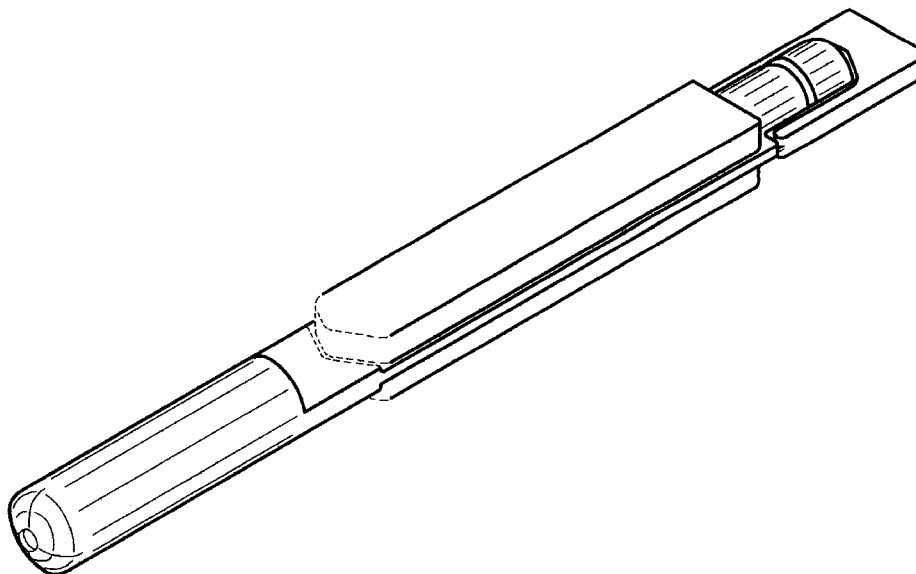
**DESCRIPTION**

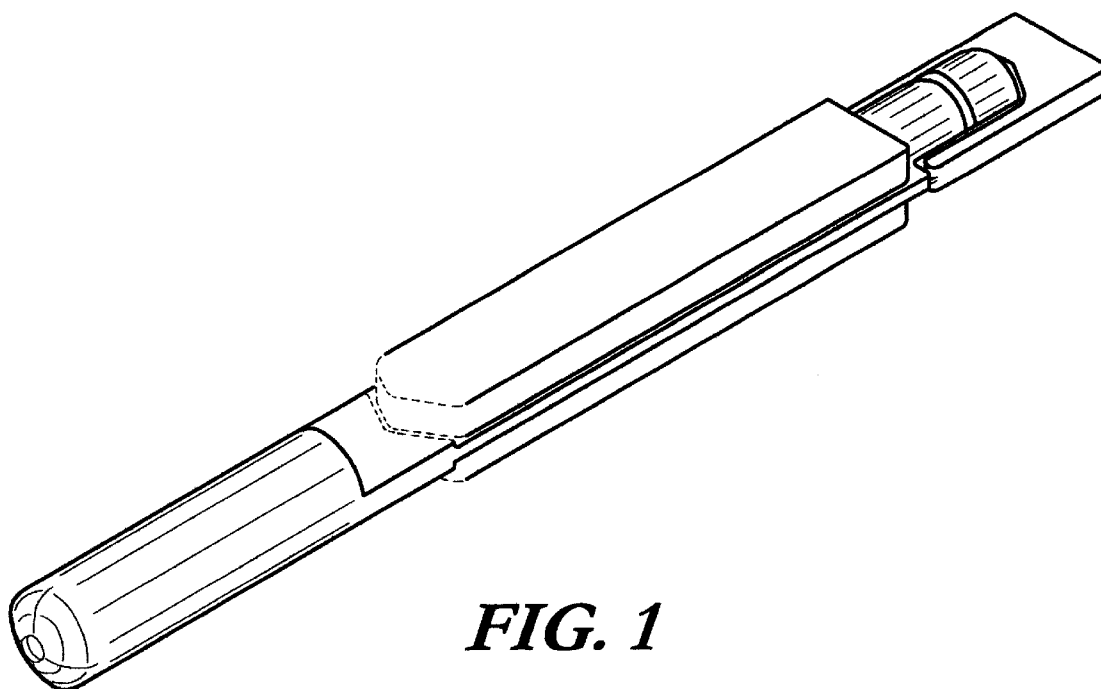
**U.S. PATENT DOCUMENTS**

3,993,223	A	* 11/1976	Welker et al.	..... 206/528
4,811,866	A	* 3/1989	Golias	..... 222/215
4,995,519	A	2/1991	Rose	
D362,390	S	* 9/1995	Weiler	..... D24/115
D369,212	S	* 4/1996	Snell	..... D24/117
D369,868	S	* 5/1996	Nazareth et al.	..... D24/225
D375,352	S	* 11/1996	Bologna	..... D24/115
D379,662	S	* 6/1997	Pearson et al.	..... D24/223
D379,663	S	* 6/1997	Pearson et al.	..... D24/223

FIG. 1 is a perspective view of a vial showing my new design;  
FIG. 2 is a front end elevation view thereof;  
FIG. 3 is a rear end elevation view thereof;  
FIG. 4 is a top plan view thereof;  
FIG. 5 is a left side elevation view thereof;  
FIG. 6 is a bottom plan view thereof; and,  
FIG. 7 is a right side elevation view thereof.  
The broken lines are for illustrative purposes only and form no part of the claimed design.

**1 Claim, 2 Drawing Sheets**



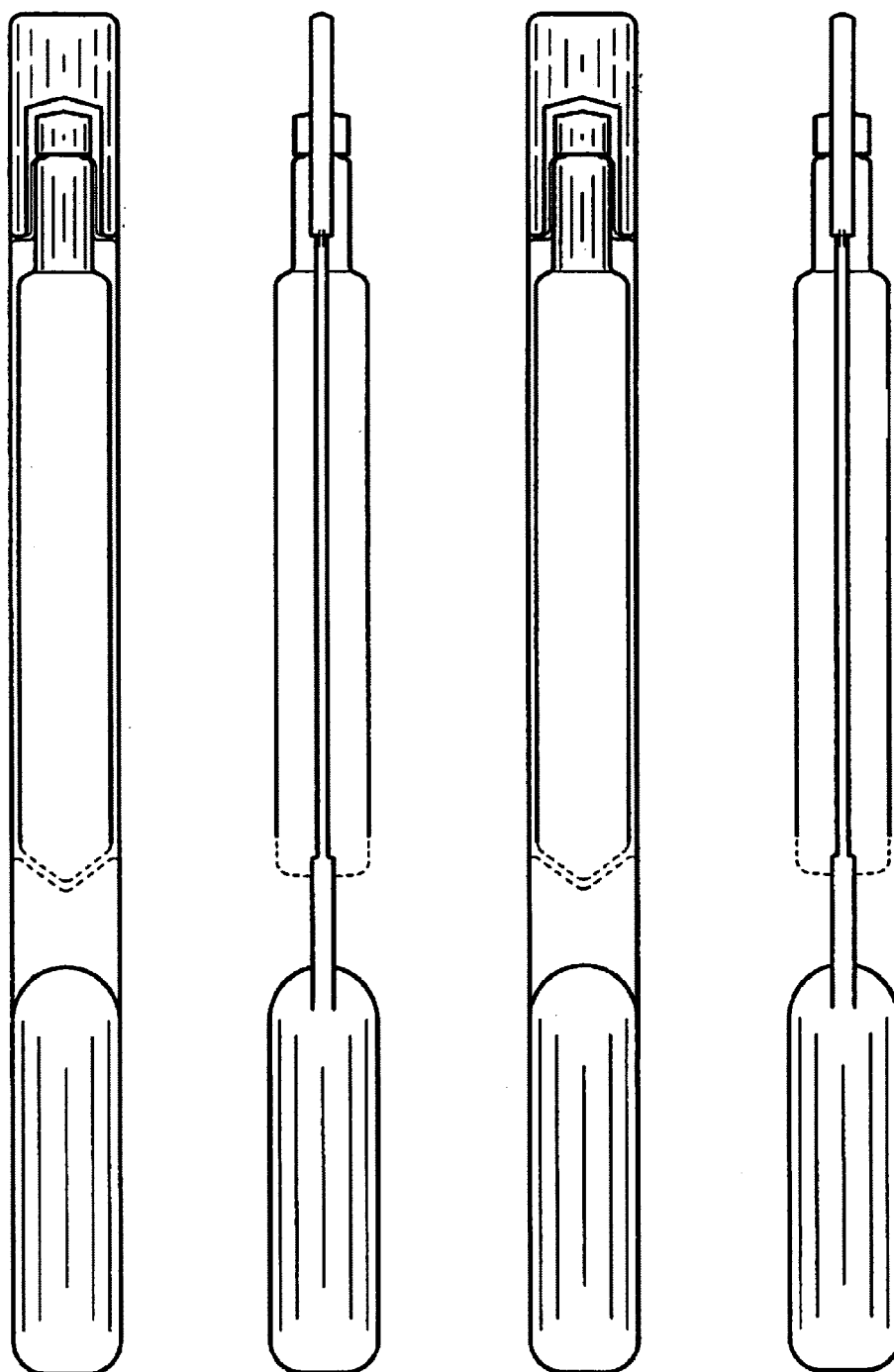


*FIG. 1*



*FIG. 2*

*FIG. 3*



***FIG. 4 FIG. 5 FIG. 6 FIG. 7***