



US00D518687S

(12) **United States Design Patent** (10) **Patent No.:** **US D518,687 S**
Baker et al. (45) **Date of Patent:** **** Apr. 11, 2006**

(54) **FOOD GRIPPING UTENSIL**

D317,106 S * 5/1991 Kosurko D7/686
6,494,517 B1 * 12/2002 Durant 294/99.2

(76) Inventors: **Cynthia Baker**, 607 Price Park Dr.,
Canal Winchester, OH (US) 43110;
George Saliaris, 215 Indian River Dr.,
Dublin, OH (US) 43017

* cited by examiner

Primary Examiner—Terry A. Wallace
(74) *Attorney, Agent, or Firm*—Gallagher & Dawsey Co.
LPA; Michael J. Gallegher; David J. Dawsey

(**) Term: **14 Years**

(57) **CLAIM**

(21) Appl. No.: **29/230,132**

The ornamental design for a food gripping utensil, as shown.

(22) Filed: **May 17, 2005**

DESCRIPTION

(51) **LOC (8) Cl.** **07-06**

FIG. 1 is a front isometric view of a food gripping utensil showing my new design;

(52) **U.S. Cl.** **D7/686; D24/143**

FIG. 2 is a rear isometric view thereof;

(58) **Field of Classification Search** D7/681-696;

FIG. 3 is a right side elevation view thereof;

D24/143; 294/3, 7, 8, 8.5, 10, 99.1, 99.2,
294/118, 119, 11, 16

FIG. 4 is a left side elevation view thereof;

See application file for complete search history.

FIG. 5 is a top plain view thereof;

FIG. 6 is a bottom plain view thereof;

FIG. 7 is a rear elevation view thereof; and,

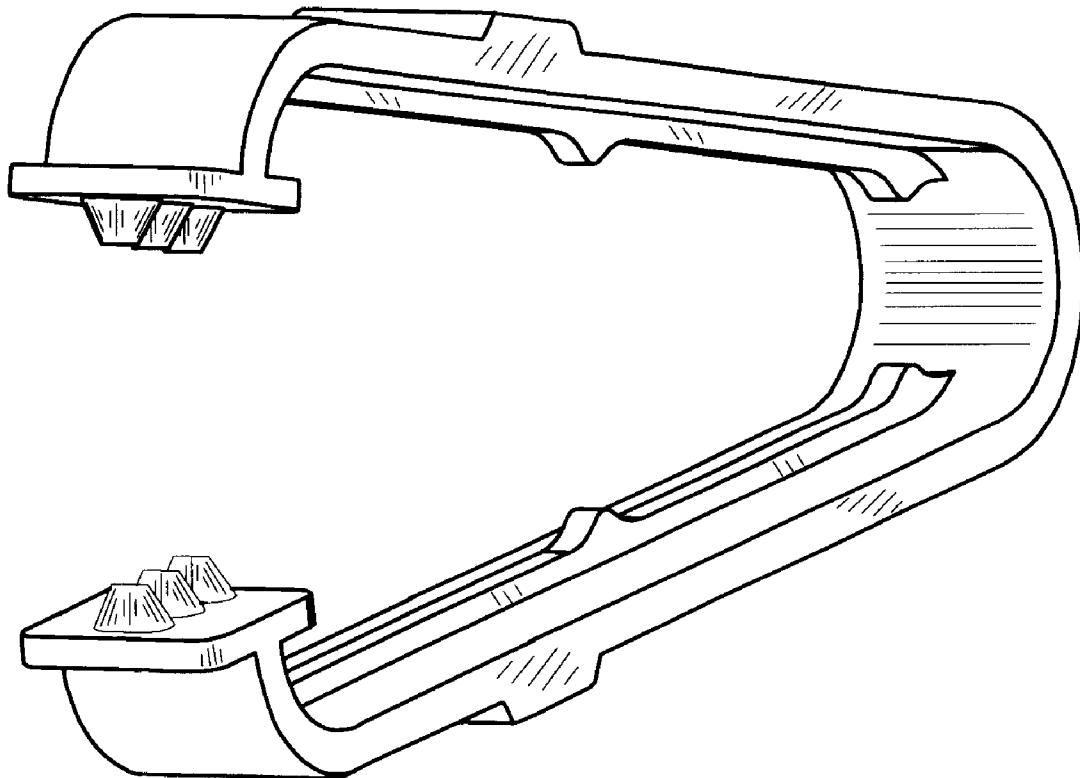
FIG. 8 is a front elevation view thereof.

(56) **References Cited**

U.S. PATENT DOCUMENTS

2,839,325 A * 6/1958 Jeanfavre 294/99.2
D255,089 S * 5/1980 Walker D7/686

1 Claim, 3 Drawing Sheets



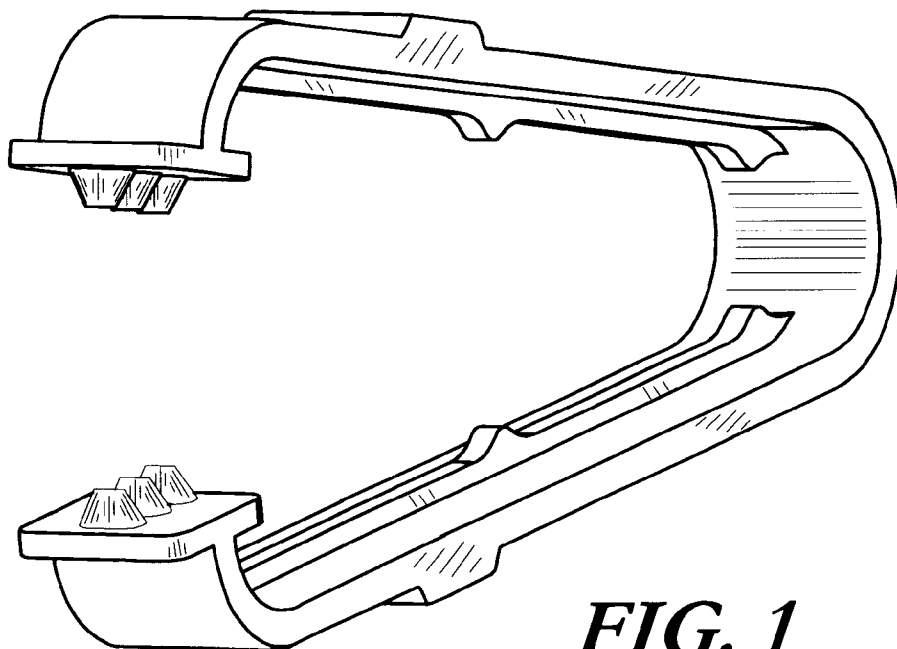


FIG. 1

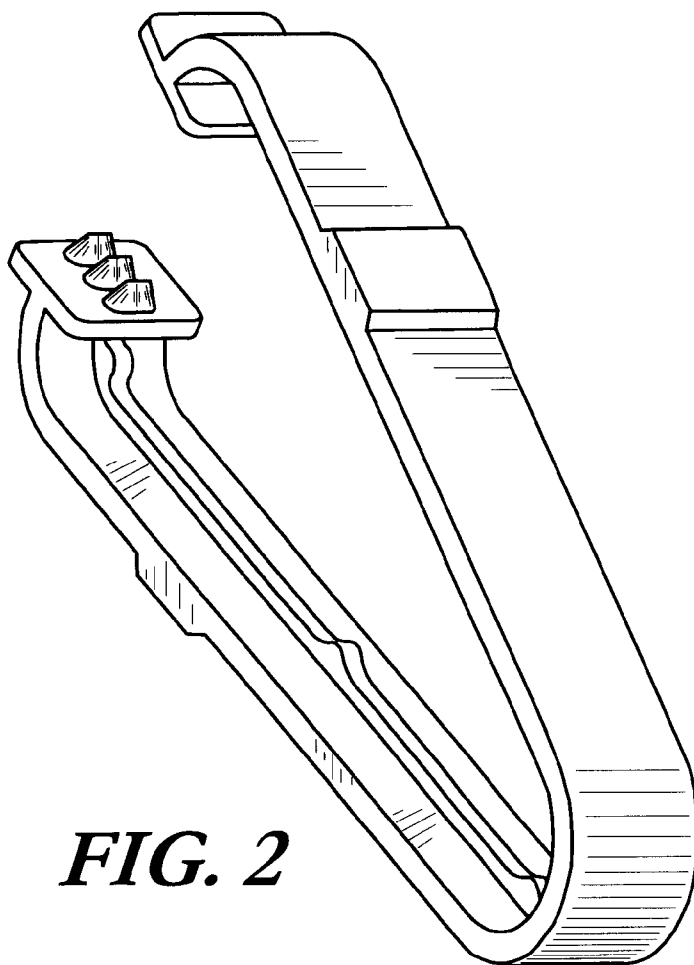


FIG. 2

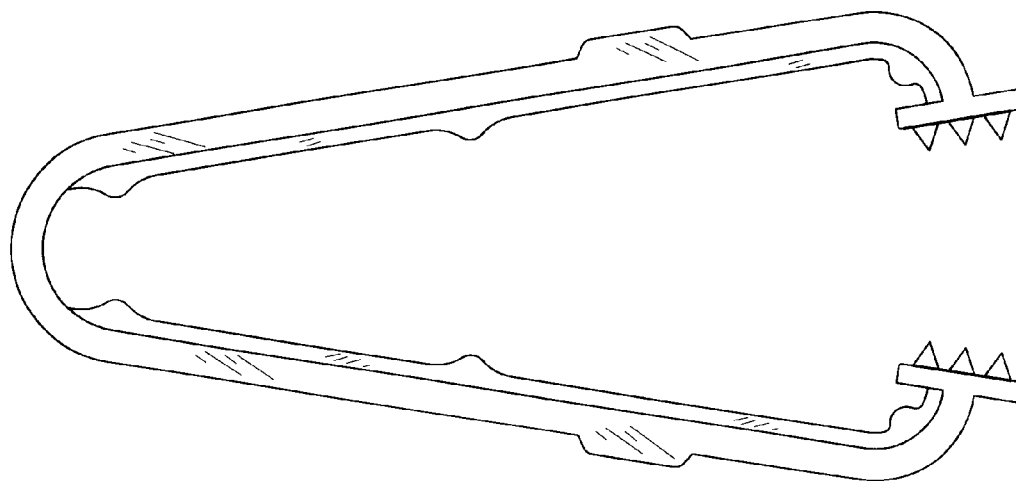


FIG. 3

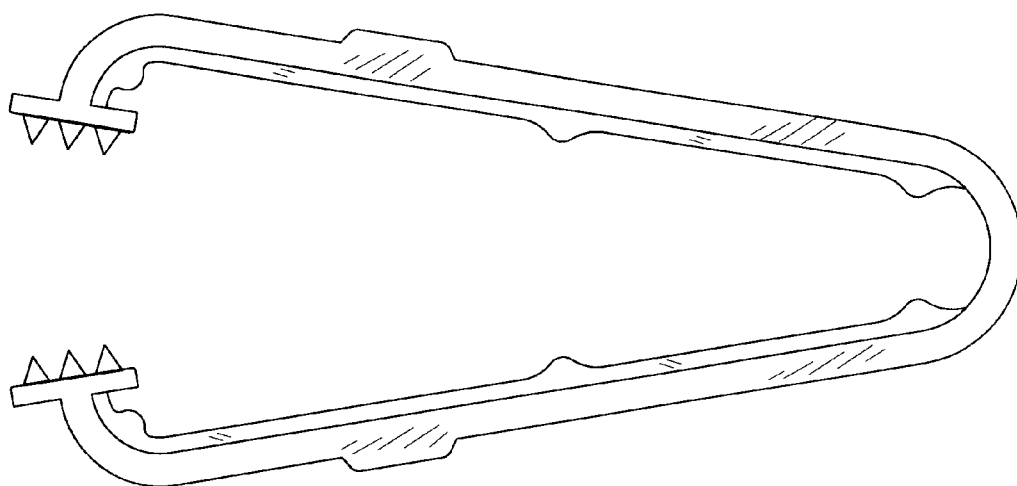


FIG. 4

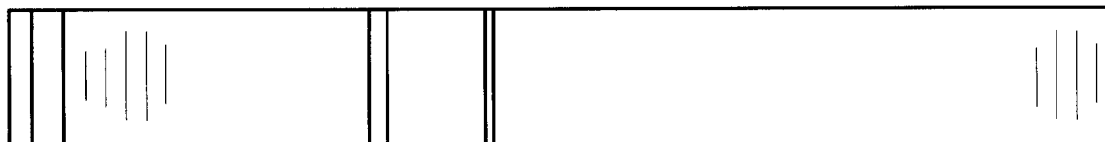


FIG. 5

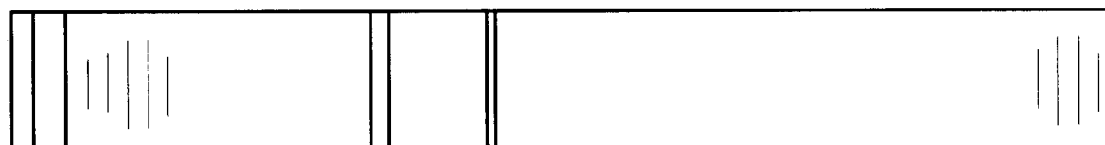


FIG. 6

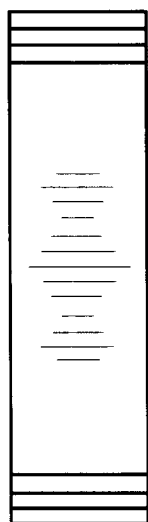


FIG. 7

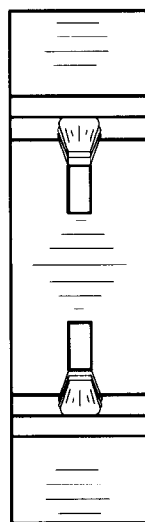


FIG. 8