



US00D589723S

(12) **United States Design Patent**
Zealer

(10) **Patent No.:** **US D589,723 S**

(45) **Date of Patent:** **** Apr. 7, 2009**

(54) **POINT OF SALE DISPLAY**

(76) Inventor: **Carl Zealer**, 32 Klema Dr.,
Reynoldsburg, OH (US) 43068

(**) Term: **14 Years**

(21) Appl. No.: **29/329,828**

(22) Filed: **Dec. 22, 2008**

(51) **LOC (9) Cl.** **06-04**

(52) **U.S. Cl.** **D6/475**

(58) **Field of Classification Search** D6/475-476,
D6/455-458, 510-511, 469; 211/13, 163,
211/54.1, 57.1, 59.1, 31, 11; 108/59, 91,
108/106-107, 110, 144, 153, 180; 248/65,
248/166

See application file for complete search history.

(56) **References Cited**

U.S. PATENT DOCUMENTS

3,184,073	A *	5/1965	Bartolucci	211/132.1
D275,918	S *	10/1984	Taylor	D6/510
D277,819	S *	3/1985	Crosslen	D6/449
D280,160	S *	8/1985	Silver	D6/475
D330,474	S *	10/1992	Liptak	D6/475
D358,513	S *	5/1995	Hansen et al.	D6/495
5,439,195	A *	8/1995	Jessee	248/447
D407,119	S *	3/1999	Kwan	D20/21
D410,686	S *	6/1999	Wear	D19/90

D420,533	S *	2/2000	Pugatch	D6/469
D445,837	S *	7/2001	Waterhouse	D20/40
D455,785	S *	4/2002	Burns	D19/75
D505,456	S *	5/2005	Green	D20/40
D551,716	S *	9/2007	Diller	D19/91
D580,991	S *	11/2008	Smith	D19/91

* cited by examiner

Primary Examiner—Elizabeth A Albert

Assistant Examiner—Kelley A Donnelly

(74) *Attorney, Agent, or Firm*—Michael J. Gallagher, Esq.;
David J. Dawsey, P.E., Esq.; Gallagher & Dawsey Co., LPA

(57) **CLAIM**

I claim the ornamental design for a point of sale display, as shown and described.

DESCRIPTION

FIG. 1 is an isometric view of a point of sale display showing my new design;

FIG. 2 is a front elevation view thereof;

FIG. 3 is a rear elevation view thereof;

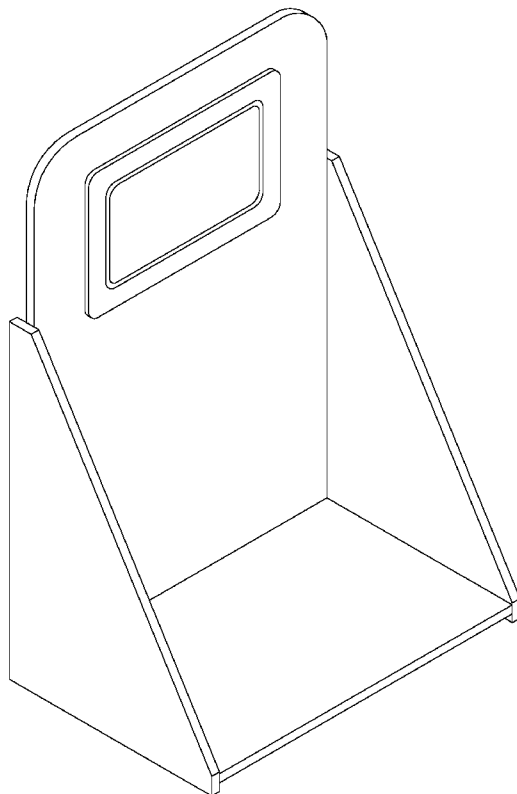
FIG. 4 is a right side elevation view thereof;

FIG. 5 is a left side elevation view thereof;

FIG. 6 is a top plan view thereof; and,

FIG. 7 is a bottom plan view thereof.

1 Claim, 4 Drawing Sheets



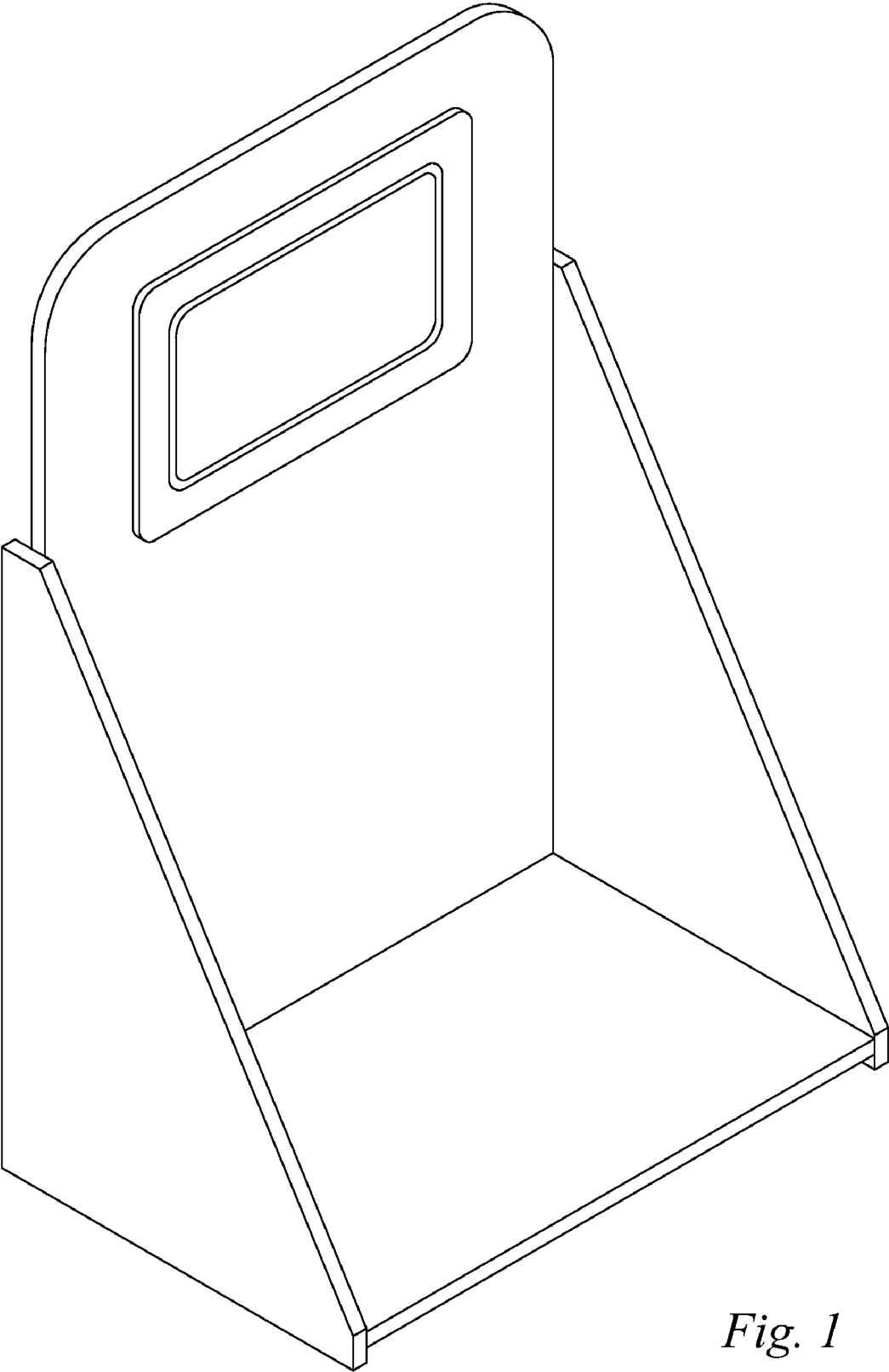


Fig. 1

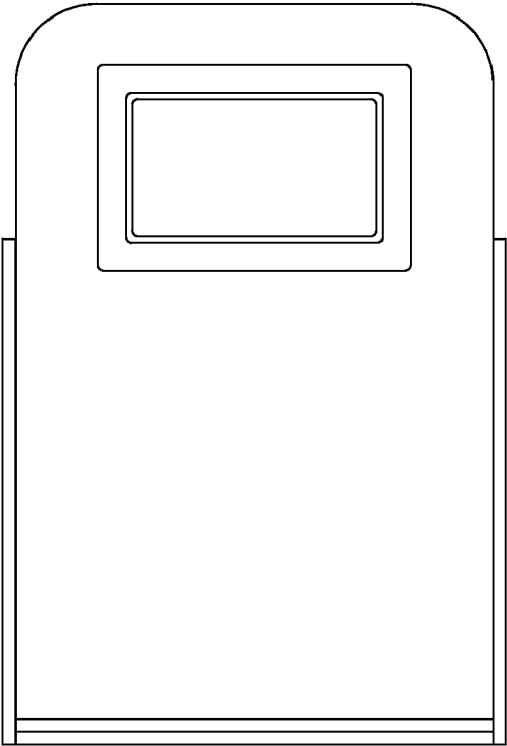


Fig. 2

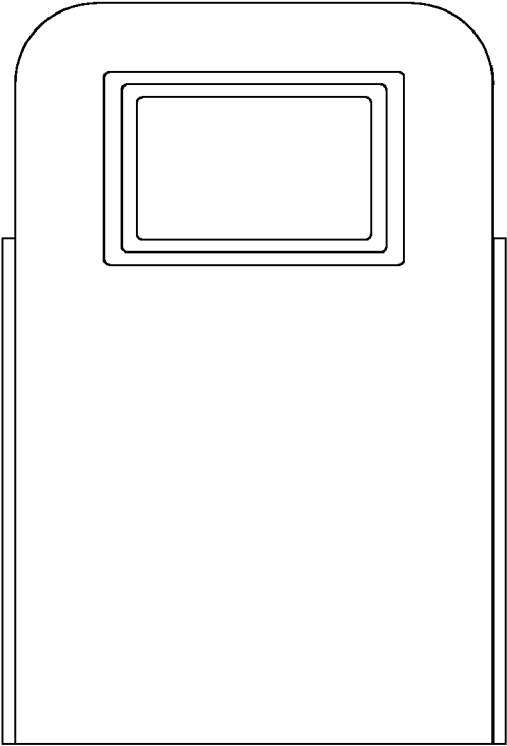


Fig. 3

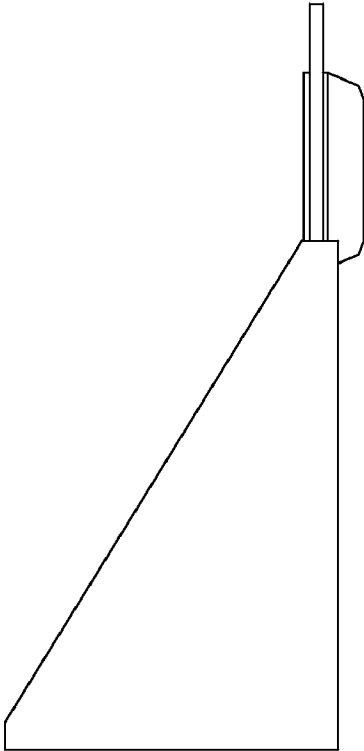


Fig. 4

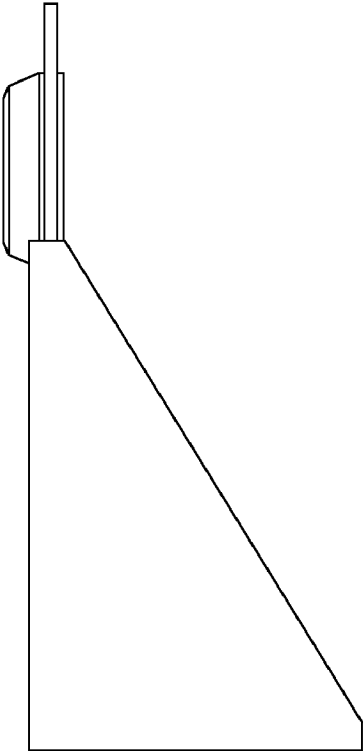


Fig. 5

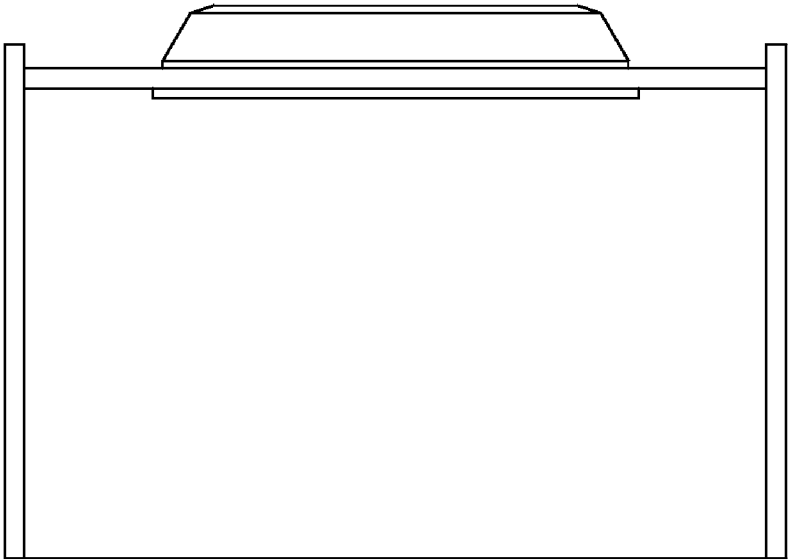


Fig. 6

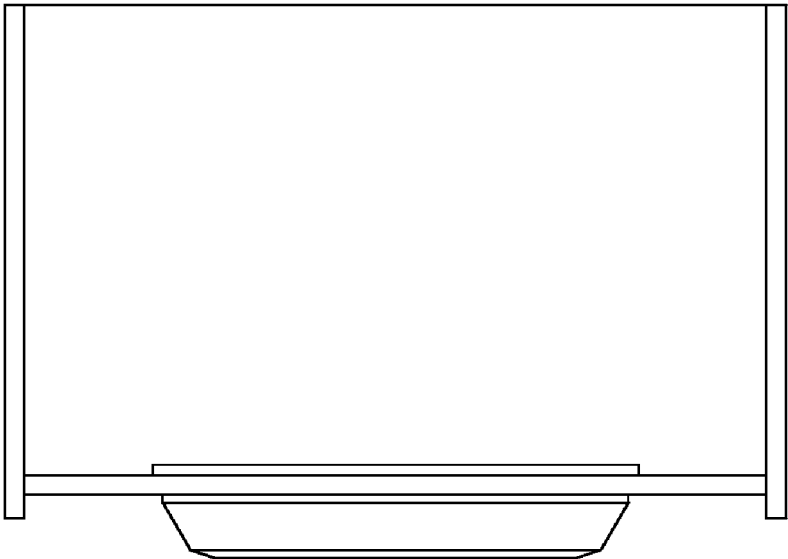


Fig. 7