



US00D590037S

(12) **United States Design Patent**  
**Ruggiero et al.**

(10) **Patent No.:** **US D590,037 S**

(45) **Date of Patent:** **\*\* \*Apr. 7, 2009**

(54) **GOLF CLUB HEAD**

(75) Inventors: **John Ruggiero**, McKinney, TX (US);  
**Lon Waggoner**, Allen, TX (US); **Jeffrey**  
**Albertsen**, Plano, TX (US); **Michael**  
**Scott Burnett**, McKinney, TX (US)

(73) Assignee: **Adams Golf I. P., L.P.**, Plano, TX (US)

(\*) Notice: This patent is subject to a terminal disclaimer.

(\*\*) Term: **14 Years**

(21) Appl. No.: **29/302,332**

(22) Filed: **Jan. 15, 2008**

(51) **LOC (9) Cl.** ..... **21-02**

(52) **U.S. Cl.** ..... **D21/759**

(58) **Field of Classification Search** ..... D21/733,  
D21/752, 759; 473/324–331, 343–346  
See application file for complete search history.

(56) **References Cited**

U.S. PATENT DOCUMENTS

- D352,983 S \* 11/1994 Williams, Jr. .... D21/752
- D367,094 S \* 2/1996 Williams, Jr. .... D21/752
- D557,363 S \* 12/2007 Jertson et al. .... D21/752

- D558,288 S \* 12/2007 Jertson et al. .... D21/752
- D562,421 S \* 2/2008 Jertson et al. .... D21/752
- D569,465 S \* 5/2008 Yi et al. .... D21/752
- D569,934 S \* 5/2008 Jertson et al. .... D21/752
- D569,935 S \* 5/2008 Schweigert et al. .... D21/752
- D569,936 S \* 5/2008 Schweigert et al. .... D21/752
- D570,937 S \* 6/2008 Schweigert et al. .... D21/752
- D570,938 S \* 6/2008 Jertson et al. .... D21/752
- D578,587 S \* 10/2008 Hoffman et al. .... D21/752

\* cited by examiner

*Primary Examiner*—Mitchell I Siegel

(74) *Attorney, Agent, or Firm*—David J. Dawsey; Michael J. Gallagher; Gallagher & Dawsey Co., L.P.A.

(57) **CLAIM**

We claim the ornamental design for a golf club head, as shown and described.

**DESCRIPTION**

FIG. 1 is an isometric view of a golf club head showing our new design.

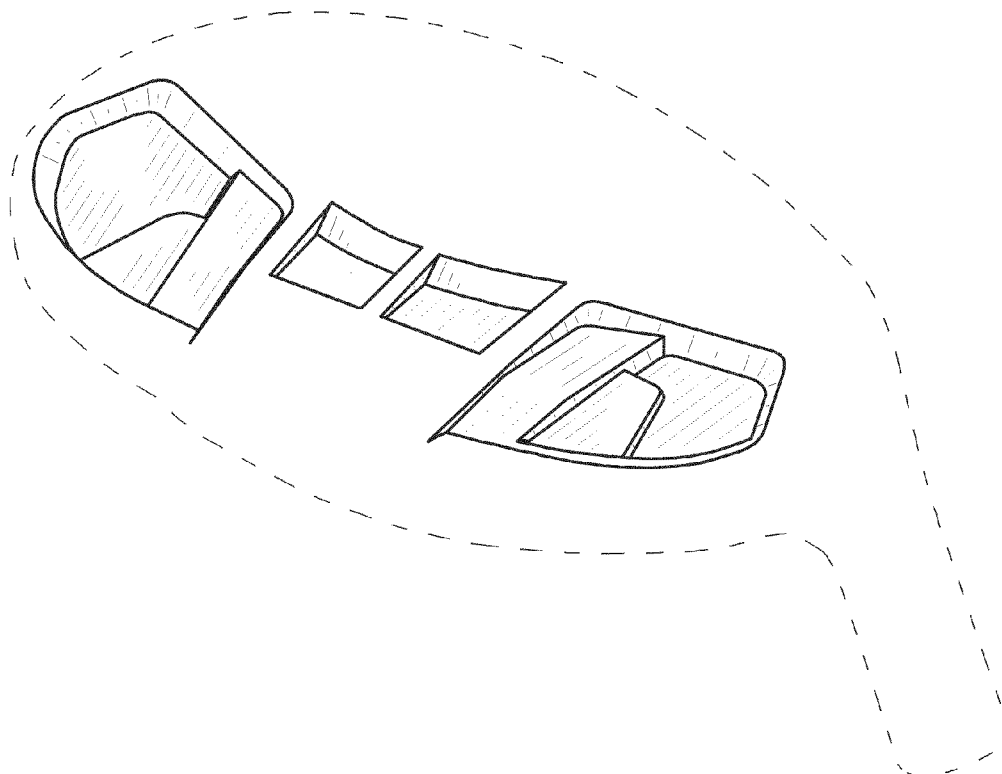
FIG. 2 is a rear elevation view thereof;

FIG. 3 is a bottom plan view thereof;

FIG. 4 is a toe side elevation view thereof; and,

FIG. 5 is a heel side elevation view thereof.

**1 Claim, 4 Drawing Sheets**



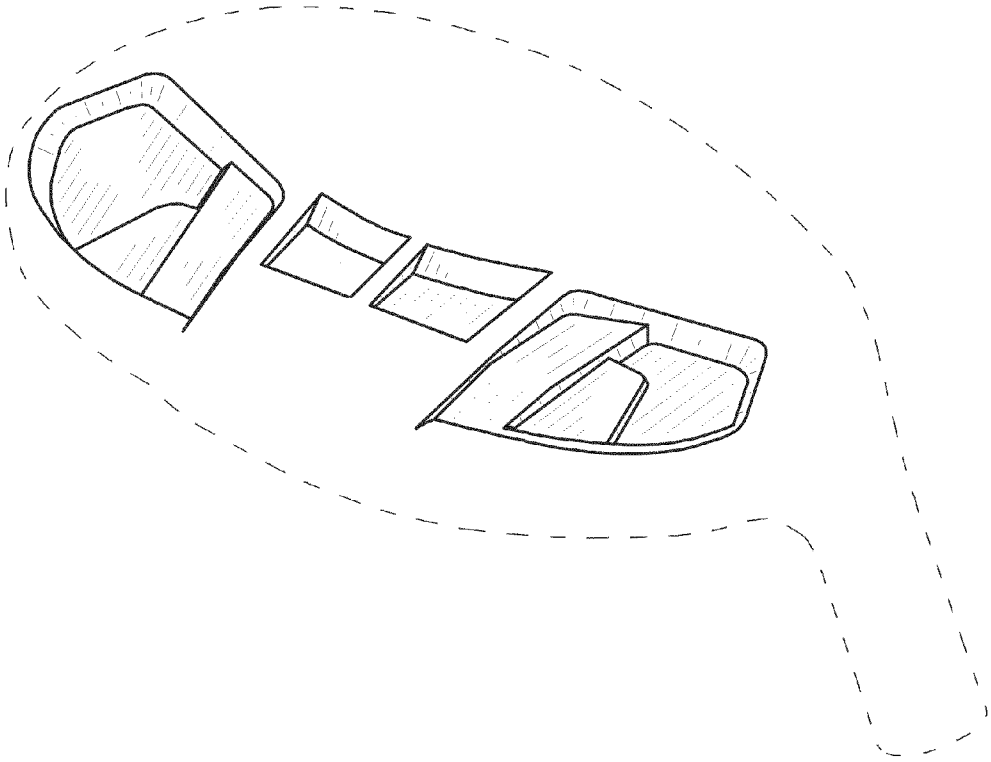
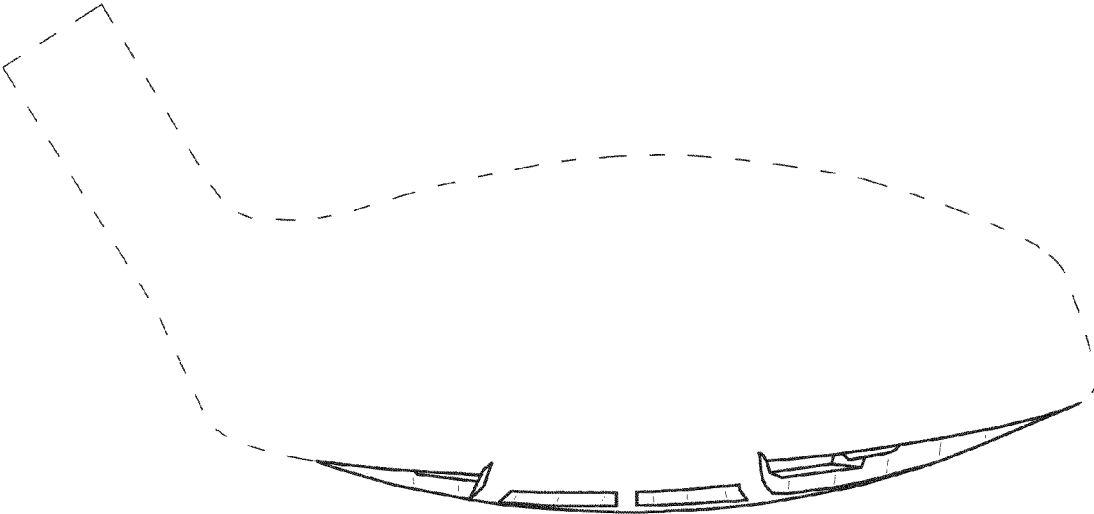
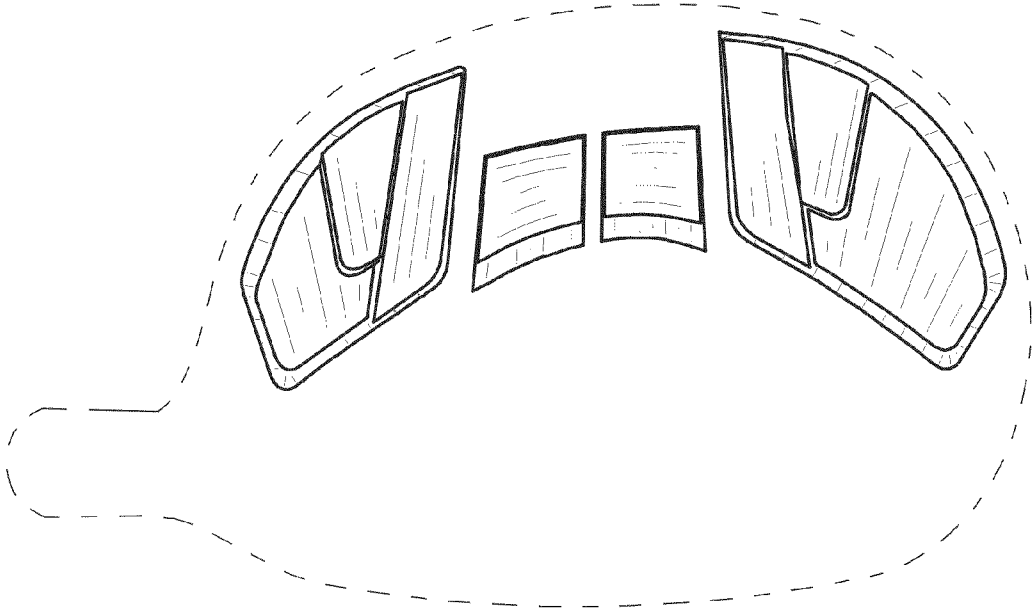


Fig. 1



*Fig. 2*



*Fig. 3*

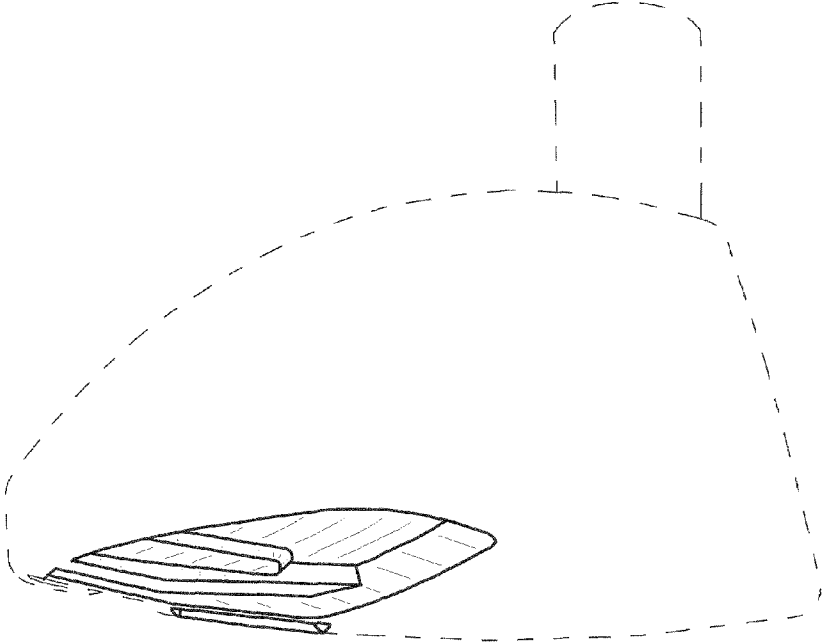


Fig. 4

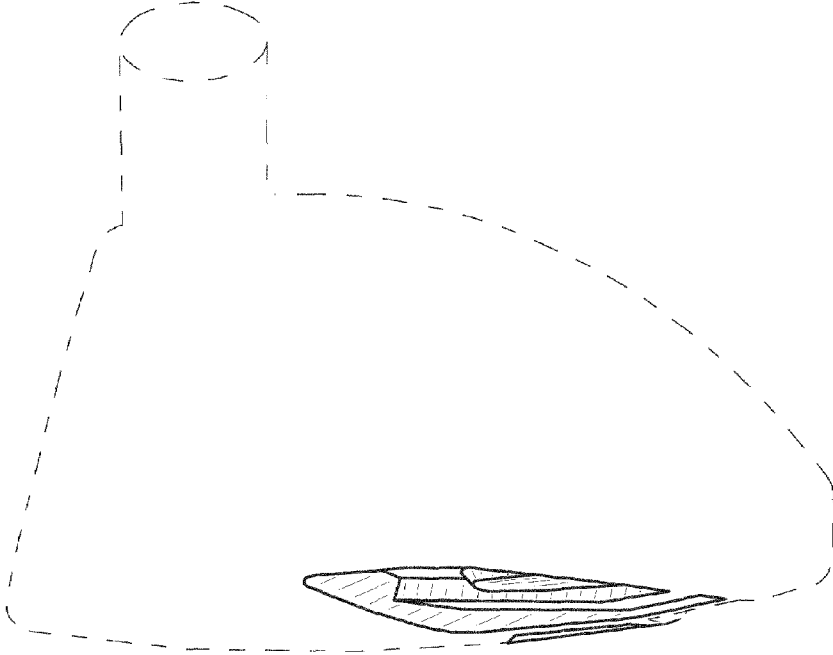


Fig. 5