



US00D592716S

(12) **United States Design Patent**
Pedraza

(10) **Patent No.:** **US D592,716 S**

(45) **Date of Patent:** **** May 19, 2009**

(54) **PUTTER HEAD**

(76) Inventor: **Luis Pedraza**, 43 Howitt Rd., West
Roxbury, MA (US) 02132

(**) Term: **14 Years**

(21) Appl. No.: **29/324,147**

(22) Filed: **Sep. 8, 2008**

(51) **LOC (9) Cl.** **21-02**

(52) **U.S. Cl.** **D21/736**

(58) **Field of Classification Search** D21/736-746;
473/324-331, 340-341

See application file for complete search history.

(56) **References Cited**

U.S. PATENT DOCUMENTS

5,273,282 A * 12/1993 Cannon 473/340

D380,513 S * 7/1997 Noda D21/736

D405,136 S * 2/1999 Behling D21/736

* cited by examiner

Primary Examiner—Mitchell I Siegel

(74) *Attorney, Agent, or Firm*—David J. Dawsey, P.E., Esq.;
Michael J. Gallagher, Esq.; Gallagher & Dawsey Co., L.P.A.

(57) **CLAIM**

I claim the ornamental design for a putter head, as shown and described.

DESCRIPTION

FIG. 1 is an isometric view of a putter head showing my new design;

FIG. 2 is an isometric view thereof;

FIG. 3 is a rear elevation view thereof;

FIG. 4 is a front elevation view thereof;

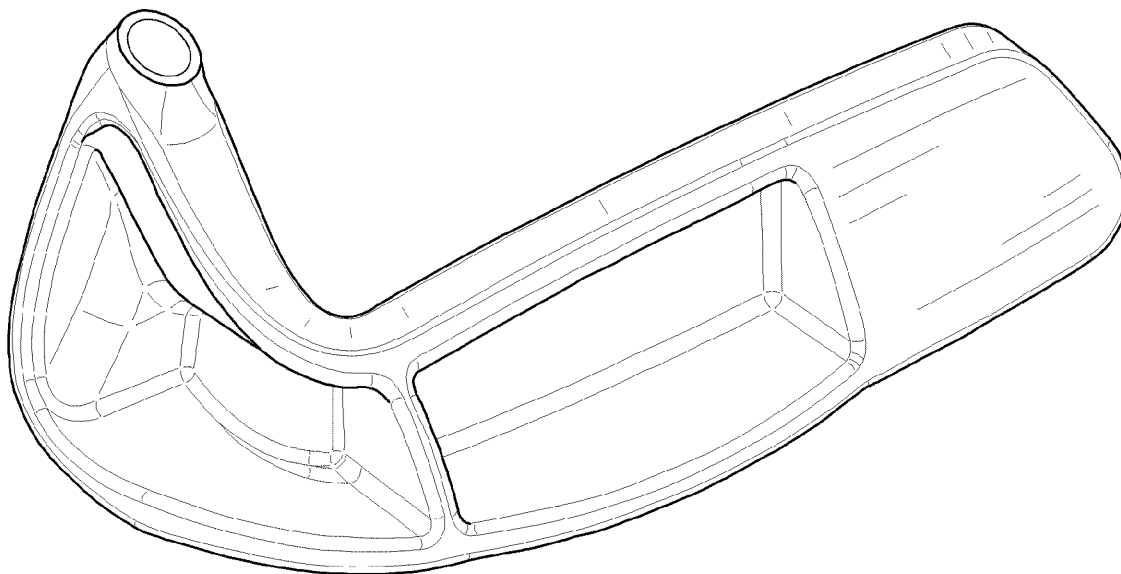
FIG. 5 is a bottom plan view thereof;

FIG. 6 is a top plan view thereof;

FIG. 7 is a toe side elevation view thereof; and,

FIG. 8 is a heel side elevation view thereof.

1 Claim, 4 Drawing Sheets



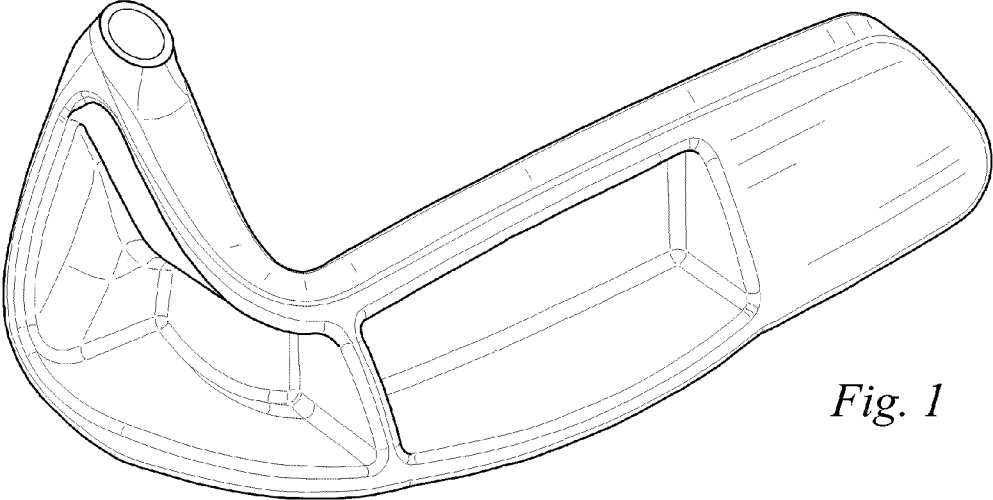


Fig. 1

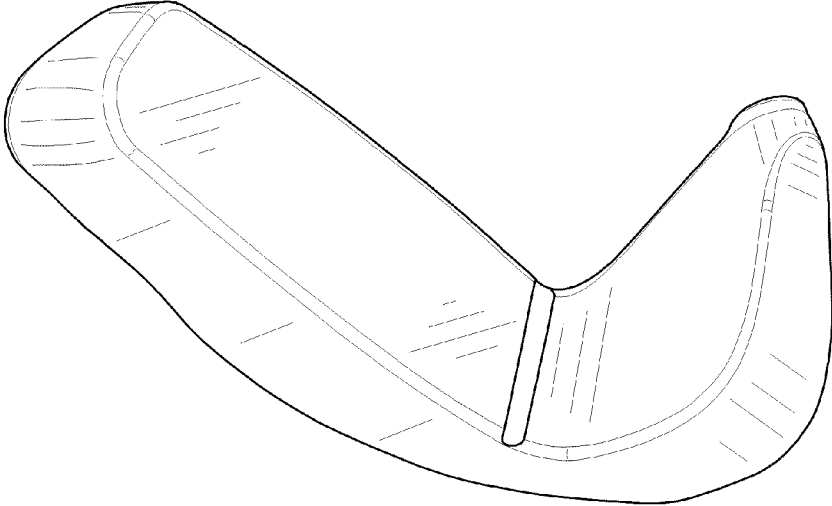


Fig. 2

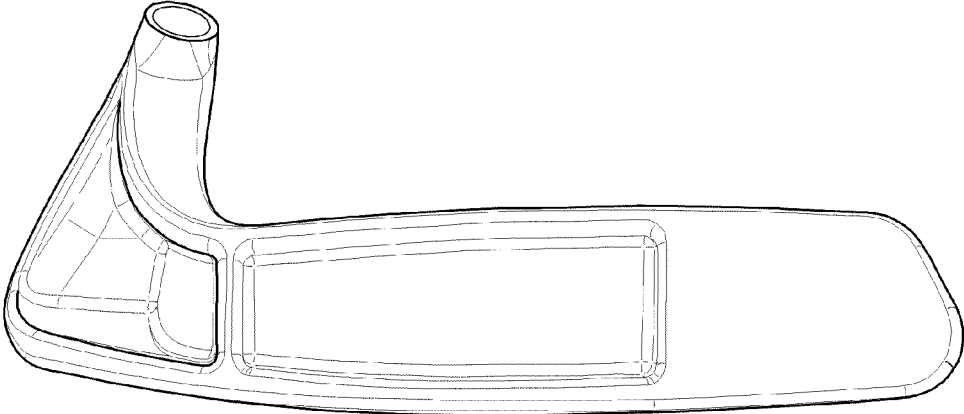


Fig. 3

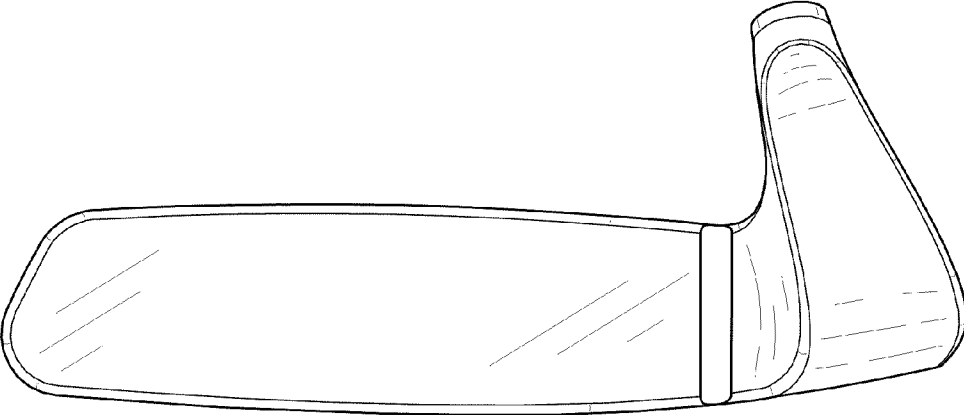


Fig. 4

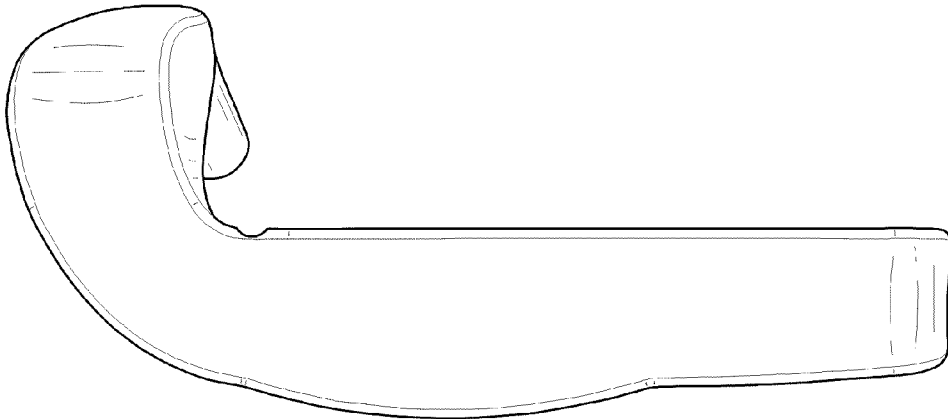


Fig. 5

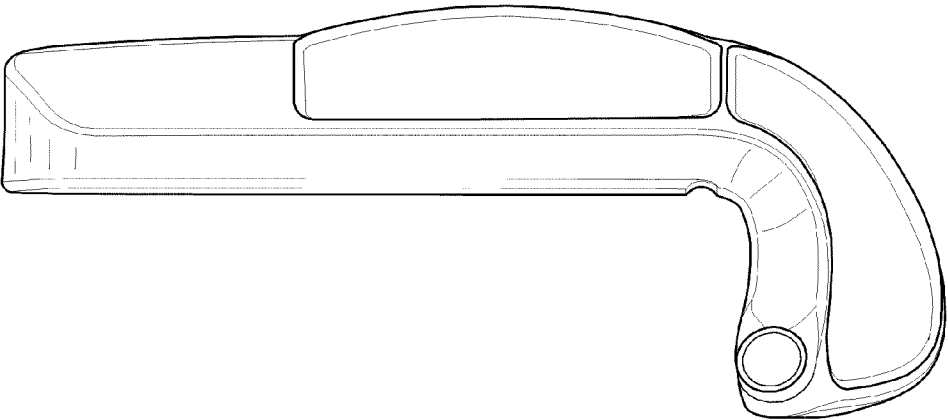


Fig. 6

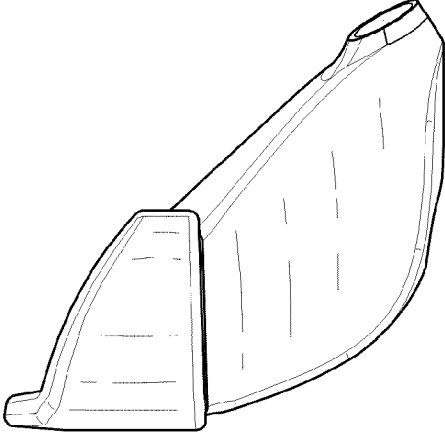


Fig. 7

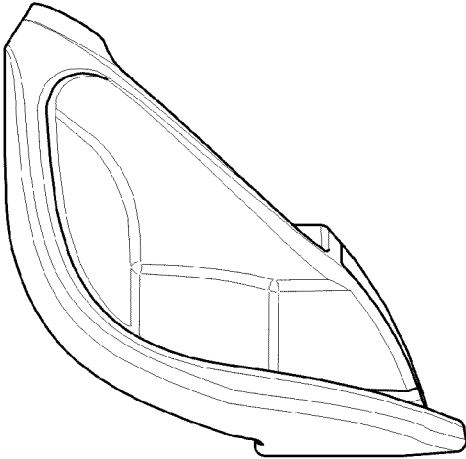


Fig. 8