



US00D614030S

(12) **United States Design Patent**
Kuzma et al.

(10) **Patent No.:** **US D614,030 S**

(45) **Date of Patent:** **** Apr. 20, 2010**

(54) **BOTTLE**

(75) Inventors: **Gene J. Kuzma**, Powell, OH (US);
Tristan O. Herstol, Columbus, OH (US)

(73) Assignee: **G.K. Packaging, Inc.**, Plain City, OH (US)

(**) Term: **14 Years**

(21) Appl. No.: **29/336,424**

(22) Filed: **May 4, 2009**

(51) **LOC (9) Cl.** **09-01**

(52) **U.S. Cl.** **D9/500**

(58) **Field of Classification Search** D9/500,
D9/502-505, 516, 537-540, 549, 557-558,
D9/682-683, 686, 688-692; 215/379, 381-382;
220/660, 662, 669-673, 675

See application file for complete search history.

(56) **References Cited**

U.S. PATENT DOCUMENTS

D21,382 S	3/1892	Hannold
D28,182 S	1/1898	Whitall
D37,819 S	2/1906	Bradley
882,864 A	3/1908	Burke
D52,472 S	9/1918	Corey
D79,178 S	8/1929	Brown
D94,189 S	1/1935	Cassedy
D97,176 S	10/1935	Chernow
D101,919 S	11/1936	Leach
D104,546 S	5/1937	Topping
D106,370 S	10/1937	Pancoast
D106,628 S	10/1937	Leach, Jr.
D143,421 S	1/1946	Gasner
2,586,687 A	2/1952	Mellon
D176,226 S	11/1955	Morris
D189,460 S	12/1960	Richter
D192,535 S	4/1962	Laudano
D193,311 S	7/1962	Buckley
D195,230 S	5/1963	Dubbs
D196,990 S	11/1963	Dubbs
D198,405 S	6/1964	Recknagel

D198,407 S	6/1964	Busch
D201,997 S	8/1965	Luedtke
D204,707 S	5/1966	Abbott
3,342,379 A	9/1967	Foley
D209,097 S	10/1967	Stehl
D211,509 S	6/1968	Vanderhyde
3,412,900 A *	11/1968	Macaulay 222/82
D213,355 S	2/1969	Kneapler
D213,421 S	3/1969	Leary
D214,554 S	7/1969	Oltman et al.
D217,439 S	5/1970	Platte
D219,262 S *	11/1970	Lambelet D9/500
D219,366 S	12/1970	Lewis, Jr. et al.
D222,530 S	11/1971	Luedtke
D225,834 S	1/1973	Kneapler
D227,344 S	6/1973	Lerner
D234,682 S	4/1975	Quintal

(Continued)

Primary Examiner—Ian Simmons
Assistant Examiner—Dana L Sipos
(74) *Attorney, Agent, or Firm*—Gallagher & Dawsey Co.,
LPA; Michael J. Gallagher; David J. Dawsey

(57) **CLAIM**

We claim the ornamental design for a bottle, as shown and described.

DESCRIPTION

FIG. 1 is a perspective view of a bottle showing our new design;

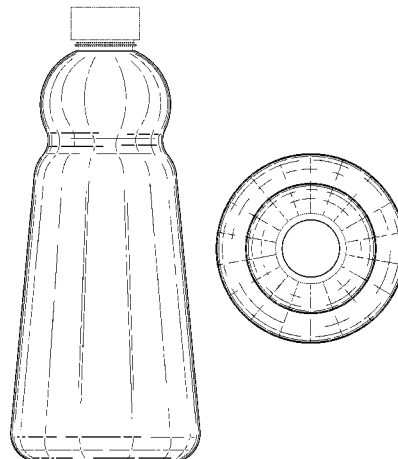
FIG. 2 is a front elevation view thereof;

FIG. 3 is another front elevation view thereof; and,

FIG. 4 is a top plan view thereof.

The broken-line disclosure in the view is for illustrative purposes only and forms no part of the claimed design.

1 Claim, 4 Drawing Sheets



US D614,030 S

U.S. PATENT DOCUMENTS							
3,874,562	A	4/1975	Hazard	D411,804	S	7/1999	Zaragoza
D238,555	S	1/1976	Blank	D412,851	S	8/1999	Nosella
D243,585	S	* 3/1977	Angleman et al. D9/726	D413,807	S	9/1999	Mikla
D246,953	S	1/1978	Britt	5,954,213	A	9/1999	Gerhart et al.
D247,221	S	2/1978	Landor et al.	D415,037	S	10/1999	Pritchard et al.
D248,088	S	6/1978	Britt	D417,624	S	12/1999	Herrmann et al.
D254,651	S	4/1980	Shortino	D419,889	S	2/2000	Kuzma et al.
D254,652	S	4/1980	Shortino	D422,506	S	4/2000	Cummings
D254,711	S	4/1980	Shortino	D423,370	S	4/2000	Lewin
D254,713	S	4/1980	Shortino	D424,448	S	5/2000	Weber
D255,543	S	6/1980	Shortino	D425,408	S	5/2000	Bakic
D255,652	S	7/1980	Kretz	D425,429	S	5/2000	Weber
D256,555	S	8/1980	Beeman	D427,073	S	6/2000	Gaffney
D257,504	S	11/1980	Weckman	D428,343	S	7/2000	Waitzenegger
D258,117	S	2/1981	Bashour	D428,578	S	7/2000	Waitzenegger
D259,542	S	6/1981	Shortino	D429,649	S	8/2000	Kotyuk
D261,107	S	10/1981	Harris	D432,920	S	10/2000	Johnson et al.
D263,281	S	3/1982	Smith	D433,637	S	11/2000	Hailey et al.
D266,990	S	11/1982	Cook	D433,947	S	11/2000	Ewing, Jr.
D268,647	S	4/1983	Kingsford	D437,559	S	2/2001	Fenton et al.
D273,564	S	4/1984	Spielhoff	D437,775	S	2/2001	Dalmau
D281,863	S	12/1985	Beechuk et al.	D438,118	S	2/2001	Dalmau
D288,905	S	3/1987	Platte, Sr.	D439,518	S	3/2001	Gavin
D306,695	S	3/1990	Smith	D439,843	S	4/2001	Dalmau
D308,337	S	6/1990	Weckman	D441,293	S	5/2001	Togasawa
D310,329	S	9/1990	Schmidt	D444,389	S	7/2001	Bakic
D312,779	S	12/1990	Tacconelli	D444,390	S	7/2001	Kokenge et al.
D317,259	S	6/1991	Schmidt	D446,459	S	8/2001	Weber
D321,131	S	10/1991	Wiseman et al.	D447,694	S	9/2001	Leggett
D322,937	S	1/1992	Dinand	D448,678	S	10/2001	Bakic
D324,820	S	3/1992	Hayman et al.	D448,999	S	10/2001	Weber
D324,821	S	* 3/1992	Solomon D9/540	D450,597	S	11/2001	Bobchenok et al.
D324,998	S	3/1992	Klapwald	6,321,923	BI	11/2001	Wood
D336,246	S	6/1993	Narvaez	D452,157	S	12/2001	White et al.
D346,964	S	5/1994	Green	D452,446	S	12/2001	Shear
D347,388	S	5/1994	Crawford	D455,351	S	* 4/2002	Bailey D9/502
D347,389	S	5/1994	Crawford	D455,648	S	4/2002	Cummings
D347,794	S	6/1994	Lewis	D455,655	S	4/2002	Bunce
D349,857	S	8/1994	Lonczak et al.	D457,069	S	5/2002	Palaia
D350,691	S	9/1994	Simion	D458,149	S	6/2002	Cummings
D352,462	S	11/1994	Rupert	D458,847	S	6/2002	Kuzma et al.
D353,775	S	12/1994	Thompson	D459,212	S	6/2002	Gobe
5,392,937	A	2/1995	Prevot et al.	D459,659	S	7/2002	Chung
D356,038	S	3/1995	Biesecker	D459,996	S	7/2002	Kuzma et al.
D357,418	S	4/1995	Lonczak et al.	D463,747	S	10/2002	Peon et al.
D360,831	S	8/1995	Boisset	D468,214	S	1/2003	Kuzma et al.
D368,859	S	4/1996	LoPreto	D468,643	S	1/2003	Kuzma et al.
D369,980	S	5/1996	Dinand	D468,644	S	1/2003	Kuzma et al.
D372,873	S	8/1996	Lathrop	D469,022	S	1/2003	Kuzma et al.
5,542,585	A	8/1996	Peters et al.	D470,772	S	2/2003	Egger
D373,536	S	9/1996	Kokenge et al.	D471,111	S	3/2003	Weaver et al.
D375,051	S	10/1996	Lathrop et al.	D471,461	S	3/2003	McGowan
D376,310	S	12/1996	Crawford	D472,154	S	3/2003	Peon et al.
5,598,941	A	2/1997	Semersky et al.	D475,298	S	6/2003	Corrigan et al.
D378,665	S	4/1997	Fenton et al.	D480,002	S	9/2003	Canepa
D381,895	S	8/1997	Cheng	D481,950	S	11/2003	Bakic
D382,209	S	8/1997	Fenton et al.	D486,065	S	2/2004	Hutchinson et al.
D386,090	S	11/1997	Giovellina	D489,267	S	5/2004	Rennie et al.
D392,895	S	3/1998	Kuzma et al.	D496,283	S	9/2004	Busa, Jr.
D392,897	S	3/1998	Biesecker et al.	D496,867	S	10/2004	Kuzma et al.
D393,202	S	4/1998	Bertolini et al.	D497,312	S	10/2004	Anderson et al.
D395,398	S	6/1998	Kotyuk	D498,670	S	11/2004	Cummings et al.
D396,191	S	7/1998	Kuzma et al.	D500,447	S	* 1/2005	Snyder D9/542
D397,608	S	9/1998	Fiore	D500,954	S	1/2005	Kuzma et al.
D398,239	S	9/1998	Bertolini et al.	D501,141	S	1/2005	Bakic
D398,244	S	9/1998	Bertolini et al.	D502,400	S	3/2005	Cinquino et al.
D398,853	S	9/1998	Phillips	D505,079	S	5/2005	Mulder et al.
5,816,451	A	10/1998	Renault	D505,864	S	* 6/2005	Snyder D9/542
D403,592	S	1/1999	Everard et al.	D509,148	S	9/2005	Wilson et al.
D408,740	S	4/1999	Jones et al.	D510,030	S	9/2005	Storz et al.
D409,092	S	5/1999	Beasley	D513,591	S	* 1/2006	Ducret D9/504
				D513,993	S	1/2006	Boyd
				D514,448	S	2/2006	Kuzma et al.

US D614,030 S

Page 3

D521,386 S	5/2006	Priestman	D547,190 S	7/2007	Kuzma et al.
D522,867 S	6/2006	Bakic	D551,555 S	9/2007	Escobosa et al.
D524,657 S	7/2006	Harris et al.	D553,001 S	10/2007	Granitz
D525,872 S	8/2006	Haubert et al.	D556,056 S	11/2007	Thomas et al.
D525,873 S	8/2006	Haubert et al.	D558,575 S	1/2008	Van Der Krogt et al.
D526,200 S	8/2006	Bakic	D558,580 S	1/2008	Kuzma et al.
D526,204 S	8/2006	Stolle	D559,114 S	1/2008	Breitlander
D527,636 S	9/2006	Bakic	D562,139 S	2/2008	Crabtree et al.
D529,388 S	10/2006	Bakic	D562,140 S	2/2008	Crabtree et al.
D529,810 S	10/2006	Davies et al.	D563,793 S	3/2008	Nomoto
D535,887 S	1/2007	Haubert, III et al.	D567,664 S	4/2008	Rica
D535,888 S	1/2007	Kuzma et al.	D569,730 S	5/2008	Crabtree et al.
D535,891 S	1/2007	Varlet	D578,395 S	10/2008	Kuzma et al.
D538,678 S	3/2007	Cummings et al.	D578,406 S	10/2008	Kuzma et al.
D540,185 S	4/2007	Cummings et al.	D581,276 S	11/2008	Kuzma et al.
D541,162 S	4/2007	Pleines et al.	D585,750 S	2/2009	Kuzma et al.
D542,661 S	5/2007	Adler et al.			

* cited by examiner

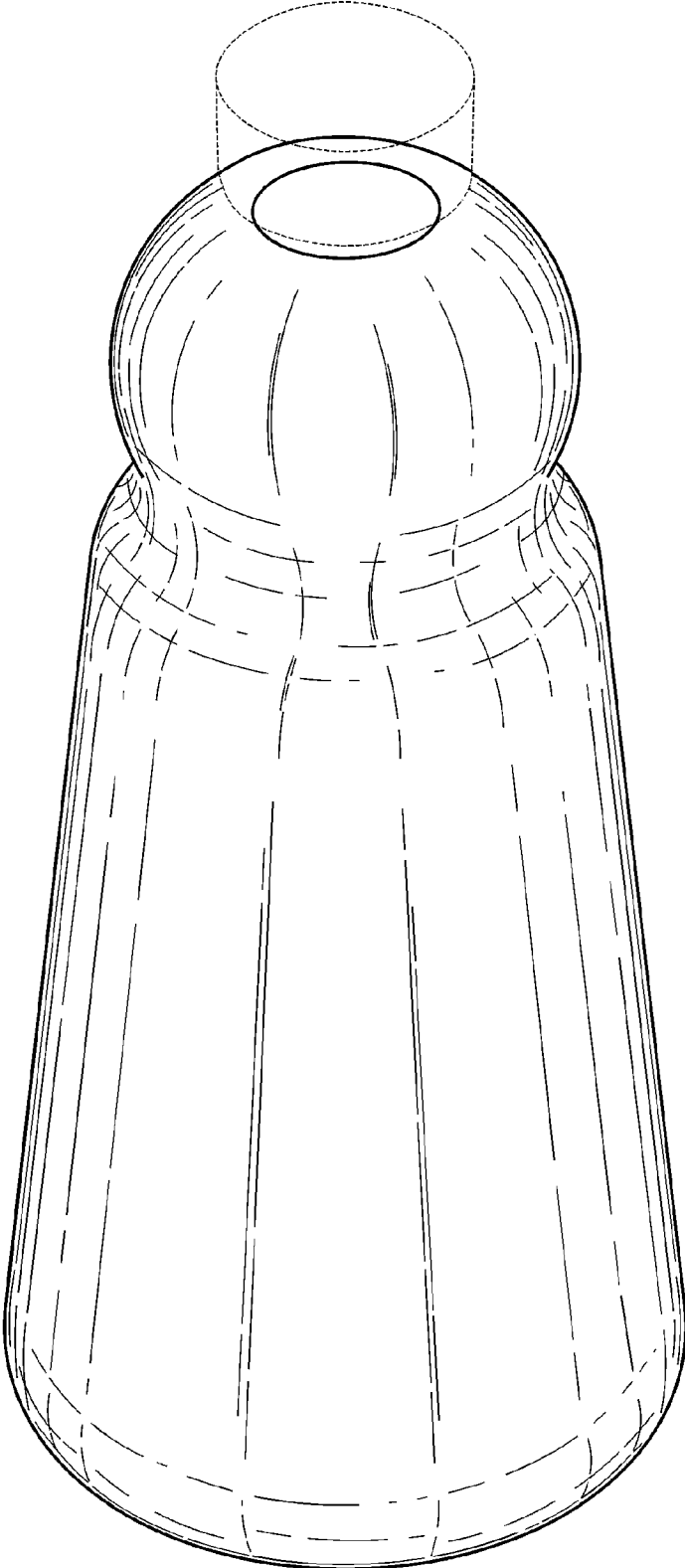


FIGURE 1

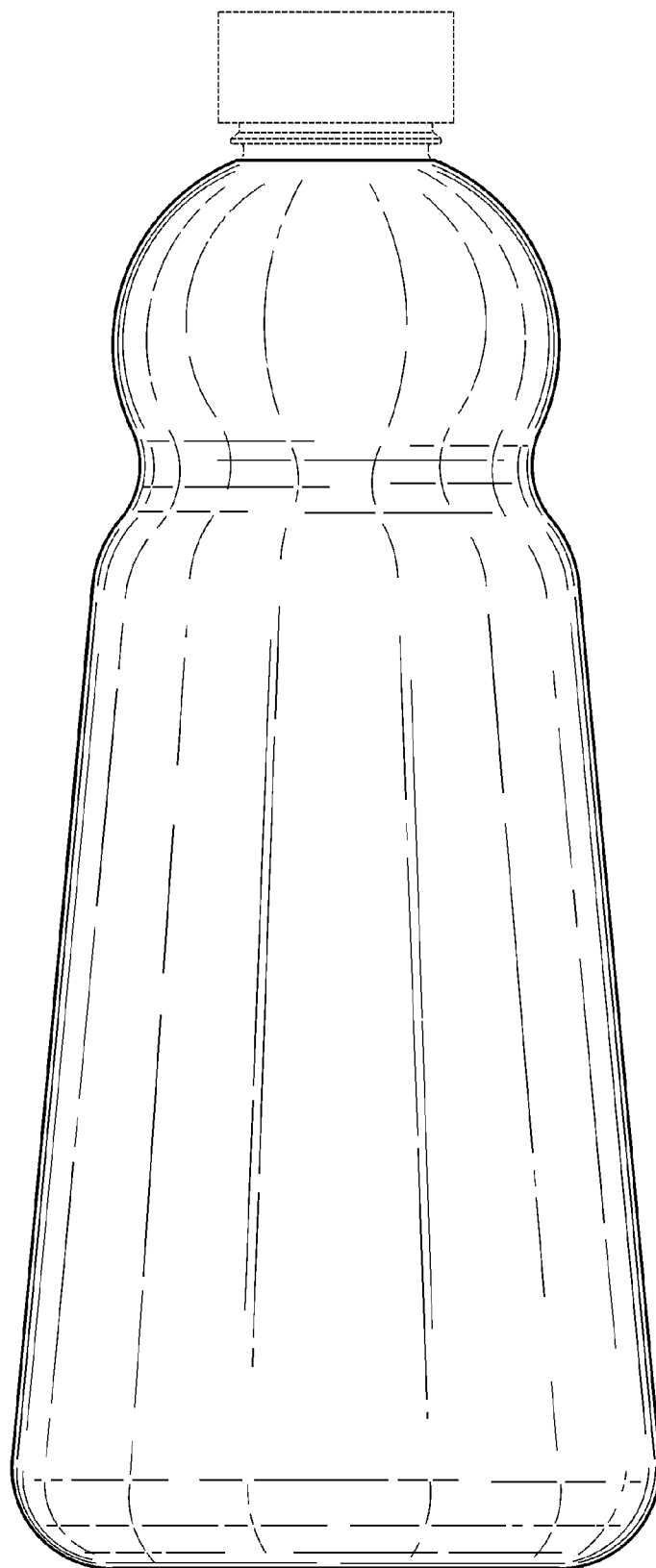


FIGURE 2

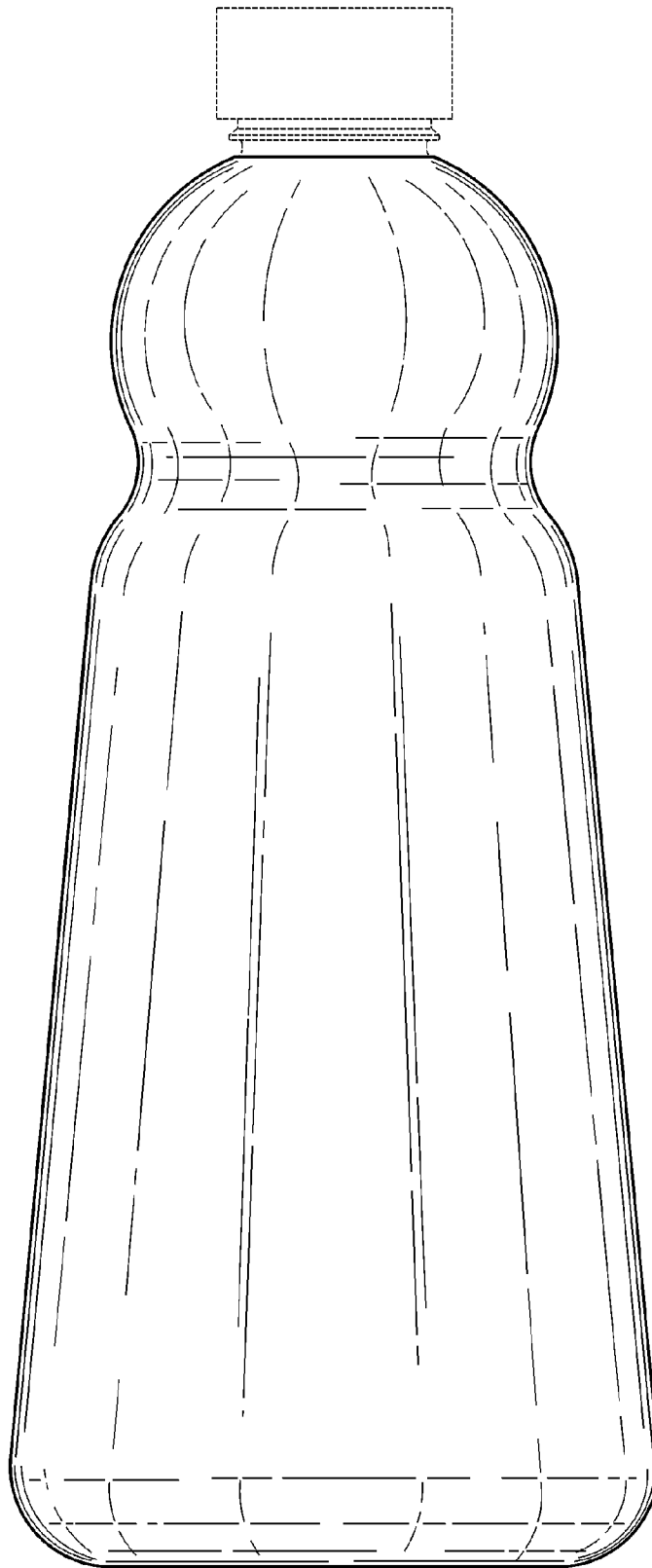


FIGURE 3

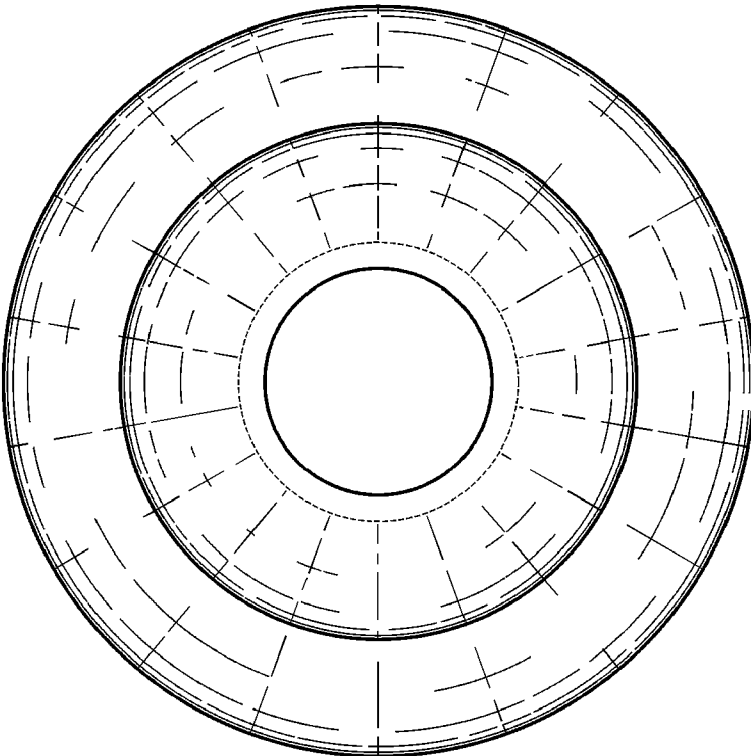


FIGURE 4