



US00D615411S

(12) **United States Design Patent**
Kuzma et al.

(10) **Patent No.:** **US D615,411 S**
(45) **Date of Patent:** **** May 11, 2010**

- (54) **BOTTLE**
- (75) Inventors: **Gene J. Kuzma**, Powell, OH (US);
Tristan O. Herstol, Columbus, OH (US)
- (73) Assignee: **GK Packaging, Inc.**, Plain City, OH (US)
- (**) Term: **14 Years**
- (21) Appl. No.: **29/343,670**
- (22) Filed: **Sep. 17, 2009**

- D198,407 S 6/1964 Busch
- D201,997 S 8/1965 Luedtke
- D204,707 S 5/1966 Abbott
- 3,342,379 A 9/1967 Foley
- D209,097 S 10/1967 Stehl
- D211,509 S 6/1968 Vanderhyde
- D213,355 S 2/1969 Kneapler
- D213,421 S 3/1969 Leary
- D214,554 S 7/1969 Oltman et al.
- D217,439 S 5/1970 Platte
- D219,366 S 12/1970 Lewis, Jr. et al.
- D222,530 S 11/1971 Luedtke
- D225,834 S 1/1973 Kneapler
- D227,344 S 6/1973 Lerner

- (51) **LOC (9) Cl.** **09-01**
- (52) **U.S. Cl.** **D9/522; D9/544; D9/565; D9/575**
- (58) **Field of Classification Search** **D9/516, D9/521-522, 529-530, 541-544, 549, 552, D9/563, 565, 571-575; 215/382-384; 220/660, 220/662, 669, 675**
See application file for complete search history.

(Continued)

Primary Examiner—Carol Rademaker
(74) *Attorney, Agent, or Firm*—Gallagher & Dawsey Co., LPA; Michael J. Gallagher; David J. Dawsey

(57) **CLAIM**

We claim the ornamental design for a bottle, as shown and described.

(56) **References Cited**

U.S. PATENT DOCUMENTS

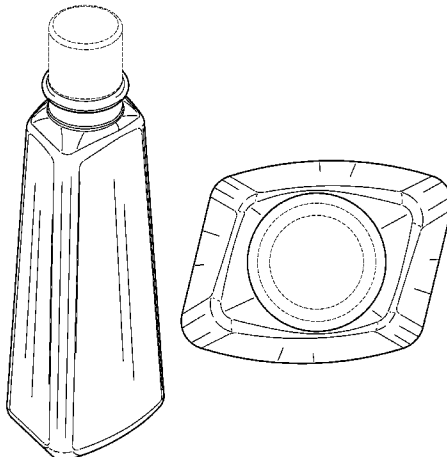
- D21,382 S 3/1892 Hannold
- D028,182 S 1/1898 Whittall
- D37,819 S 2/1906 Bradley
- 882,864 A 3/1908 Burke
- D52,472 S 9/1918 Corey
- D94,189 S 1/1935 Cassedy
- D97,176 S 10/1935 Clevenger
- D97,178 S 10/1935 Clevenger
- D101,919 S 11/1936 Leach
- D104,546 S 5/1937 Topping
- D106,370 S 10/1937 Pancoast
- D106,628 S 10/1937 Leach Jr.
- D143,421 S 1/1946 Gasner
- D176,226 S 11/1955 Morris
- D189,460 S 12/1960 Richter
- D192,535 S 4/1962 Laudano
- D193,311 S 7/1962 Buckley
- D195,230 S 5/1963 Dubbs
- D196,990 S 11/1963 Dubbs
- D198,405 S 6/1964 Recknagel

DESCRIPTION

- FIG. 1 is a top, front, and right side perspective view of a bottle showing our new design;
- FIG. 2 is a top, front, and left side perspective view thereof;
- FIG. 3 is a front elevational view thereof;
- FIG. 4 is a back elevational view thereof;
- FIG. 5 is a left side elevational view thereof;
- FIG. 6 is a right side elevational view thereof;
- FIG. 7 is a top plan view thereof, shown in an enlarged condition; and,
- FIG. 8 is a bottom plan view thereof.

The broken lines shown in the drawings are included for the purpose of showing environmental structure that forms no part of the claimed design.

1 Claim, 5 Drawing Sheets



US D615,411 S

U.S. PATENT DOCUMENTS					
D234,077 S *	1/1975	Peterson	D9/544	D408,740 S	4/1999 Jones et al.
D234,682 S	4/1975	Quintal		D409,092 S	5/1999 Beasley
3,874,562 A	4/1975	Hazard		D411,804 S	7/1999 Zaragoza
D238,555 S	1/1976	Blank		D412,851 S	8/1999 Nosella
D246,953 S	1/1978	Britt		D413,807 S	9/1999 Mikla
D247,221 S	2/1978	Landor et al.		5,954,213 A	9/1999 Gerhart et al.
D248,088 S	6/1978	Britt		D415,037 S *	10/1999 Pritchard et al. D9/571
D254,651 S	4/1980	Shortino		D417,624 S	12/1999 Herrmann et al.
D254,652 S	4/1980	Shortino		D419,889 S	2/2000 Kuzma et al.
D254,711 S	4/1980	Shortino		D420,772 S *	2/2000 Gabriel et al. D30/132
D254,713 S	4/1980	Shortino		D422,506 S	4/2000 Cummings
D255,543 S	6/1980	Shortino		D422,509 S *	4/2000 Luzzi et al. D9/575
D255,652 S	7/1980	Kretz		D423,370 S *	4/2000 Lewin D9/516 X
D256,555 S	8/1980	Beeman		D424,448 S	5/2000 Weber
D257,504 S	11/1980	Weckman		D425,408 S	5/2000 Bakic
D258,117 S	2/1981	Cox		D425,429 S	5/2000 Weber
D259,542 S	6/1981	Shortino		D425,794 S *	5/2000 Grossnickle D9/574 X
D261,107 S	10/1981	Harris		D427,073 S	6/2000 Gaffney
D263,281 S	3/1982	Smith		D428,343 S	7/2000 Waitzenegger
D266,990 S	11/1982	Cook		D428,578 S	7/2000 Waitzenegger
D268,647 S	4/1983	Kingsford		D429,649 S	8/2000 Kotyuk
D273,564 S	4/1984	Spielhoff		D432,920 S	10/2000 Johnson et al.
D279,455 S *	7/1985	Fleming	D9/574	D433,637 S	11/2000 Hailey et al.
D281,863 S	12/1985	Beechuk et al.		D433,947 S	11/2000 Ewing, Jr.
D283,398 S *	4/1986	Van Dine	D9/573	D437,559 S	2/2001 Fenton et al.
D288,905 S	3/1987	Platte, Sr.		D437,775 S	2/2001 Dalmau
D306,695 S	3/1990	Smith		D438,118 S	2/2001 Dalmau
D308,337 S	6/1990	Weckman		D439,518 S	3/2001 Gavin
D310,329 S	9/1990	Schmidt		D439,843 S	4/2001 Dalmau
D312,779 S	12/1990	Tacconelli		D441,293 S	5/2001 Togasawa
D317,259 S	6/1991	Schmidt		D444,389 S	7/2001 Bakic
D321,131 S	10/1991	Wiseman et al.		D444,390 S	7/2001 Kokenge et al.
D322,937 S	1/1992	Dinand		D446,459 S	8/2001 Weber
D324,820 S	3/1992	Hayman et al.		D447,694 S	9/2001 Leggett
D324,998 S	3/1992	Klapwald		D448,678 S	10/2001 Bakic
D336,246 S	6/1993	Narvaez		D448,999 S	10/2001 Weber
D346,964 S	5/1994	Green		D450,597 S	11/2001 Bobchenok et al.
D347,388 S *	5/1994	Crawford	D9/529	6,321,923 B1	11/2001 Wood
D347,389 S	5/1994	Crawford		D452,157 S	12/2001 White et al.
D347,794 S *	6/1994	Lewis	D9/575 X	D452,446 S	12/2001 Shear
D349,857 S	8/1994	Lonczak et al.		D455,648 S	4/2002 Cummings
D352,462 S	11/1994	Rupert		D455,655 S	4/2002 Bunce
D353,775 S	12/1994	Thompson		D457,069 S	5/2002 Palaia
5,392,937 A	2/1995	Prevot et al.		D458,149 S	6/2002 Cummings
D356,038 S	3/1995	Biesecker		D458,847 S	6/2002 Kuzma et al.
D357,418 S	4/1995	Lonczak et al.		D459,212 S	6/2002 Gobe
D360,831 S	8/1995	Boisset		D459,659 S	7/2002 Chung
D368,859 S	4/1996	LoPreto		D468,214 S	1/2003 Kuzma et al.
D369,980 S	5/1996	Dinand		D468,643 S	1/2003 Kuzma et al.
D372,870 S *	8/1996	Westerhout	D9/516	D468,644 S	1/2003 Kuzma et al.
D372,873 S	8/1996	Lathrop		D469,022 S	1/2003 Kuzma et al.
5,542,585 A	8/1996	Peters et al.		D470,772 S	2/2003 Egger
D373,536 S	9/1996	Kokenge et al.		D471,111 S	3/2003 Weaver et al.
D375,051 S	10/1996	Lathrop et al.		D471,461 S	3/2003 McGowan
D376,310 S	12/1996	Crawford		D472,154 S	3/2003 Peon et al.
5,598,941 A	2/1997	Semersky et al.		D475,298 S	6/2003 Corrigan et al.
D378,665 S	4/1997	Fenton et al.		D480,001 S *	9/2003 Bakic
D381,895 S	8/1997	Cheng		D480,002 S	9/2003 Canepa
D382,209 S	8/1997	Fenton et al.		D481,950 S	11/2003 Bakic
D386,090 S	11/1997	Giovellina		D482,793 S *	11/2003 Oyama et al. D9/575 X
D392,895 S	3/1998	Kuzma et al.		D486,065 S	2/2004 Hutchinson et al.
D392,897 S	3/1998	Biesecker et al.		D489,267 S	5/2004 Rennie et al.
D393,202 S	4/1998	Bertolini et al.		D496,283 S	9/2004 Busa, Jr.
D393,596 S	4/1998	Kotyuk		D497,312 S	10/2004 Anderson et al.
D396,191 S	7/1998	Kuzma et al.		D498,144 S *	11/2004 Illenberger et al. D9/549
D397,608 S	9/1998	Fiore		D498,670 S	11/2004 Cummings et al.
D398,239 S	9/1998	Bertolini et al.		D500,954 S	1/2005 Kuzma et al.
D398,244 S	9/1998	Bertolini et al.		D501,141 S	1/2005 Bakic
D398,853 S	9/1998	Phillips		D502,400 S	3/2005 Cinquino et al.
5,816,451 A	10/1998	Renault		D505,079 S	5/2005 Mulder et al.
D403,592 S	1/1999	Everard et al.		D509,148 S	9/2005 Wilson et al.
				D510,030 S	9/2005 Storz et al.
				D513,993 S	1/2006 Boyd

US D615,411 S

Page 3

D514,448 S	2/2006	Kuzma et al.	D551,555 S	9/2007	Escobosa et al.	
D521,386 S	5/2006	Priestman	D553,001 S	10/2007	Granitz	
D522,867 S	6/2006	Bakic	D556,056 S	11/2007	Thomas et al.	
D524,657 S	7/2006	Harris et al.	D558,575 S	1/2008	Van Der Krogt et al.	
D525,872 S	8/2006	Haubert et al.	D558,580 S	1/2008	Kuzma et al.	
D525,873 S	8/2006	Haubert et al.	D559,114 S	1/2008	Breitlander	
D526,200 S	8/2006	Bakic	D562,139 S	2/2008	Crabtree et al.	
D526,204 S	8/2006	Stolle	D562,140 S	2/2008	Crabtree et al.	
D527,636 S	9/2006	Bakic	D563,793 S	3/2008	Nomoto	
D529,388 S	10/2006	Bakic	D567,664 S	4/2008	Rica	
D529,810 S	10/2006	Davies et al.	D569,730 S	5/2008	Crabtree et al.	
D535,887 S	1/2007	Haubert, III et al.	D578,395 S *	10/2008	Kuzma et al.	D9/522
D535,888 S	1/2007	Kuzma et al.	D578,406 S	10/2008	Kuzma et al.	
D535,891 S	1/2007	Varlet	D581,276 S	11/2008	Kuzma et al.	
D538,678 S	3/2007	Cummings et al.	D585,750 S	2/2009	Kuzma et al.	
D540,185 S	4/2007	Cummings et al.	D607,744 S *	1/2010	Laird et al.	D9/573
D541,162 S	4/2007	Pleines et al.	D608,213 S *	1/2010	Kuzma et al.	D9/573
D542,661 S	5/2007	Adler et al.				
D547,190 S	7/2007	Kuzma et al.				

* cited by examiner

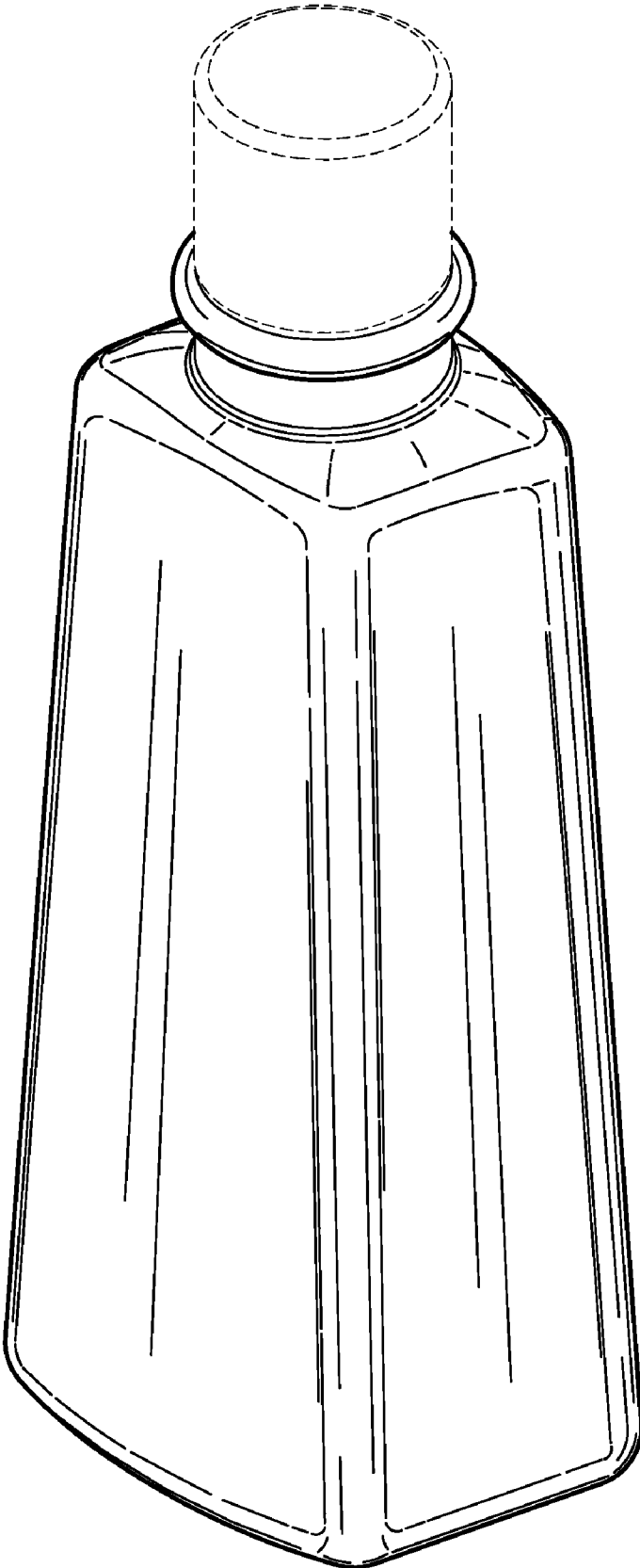


Fig. 1

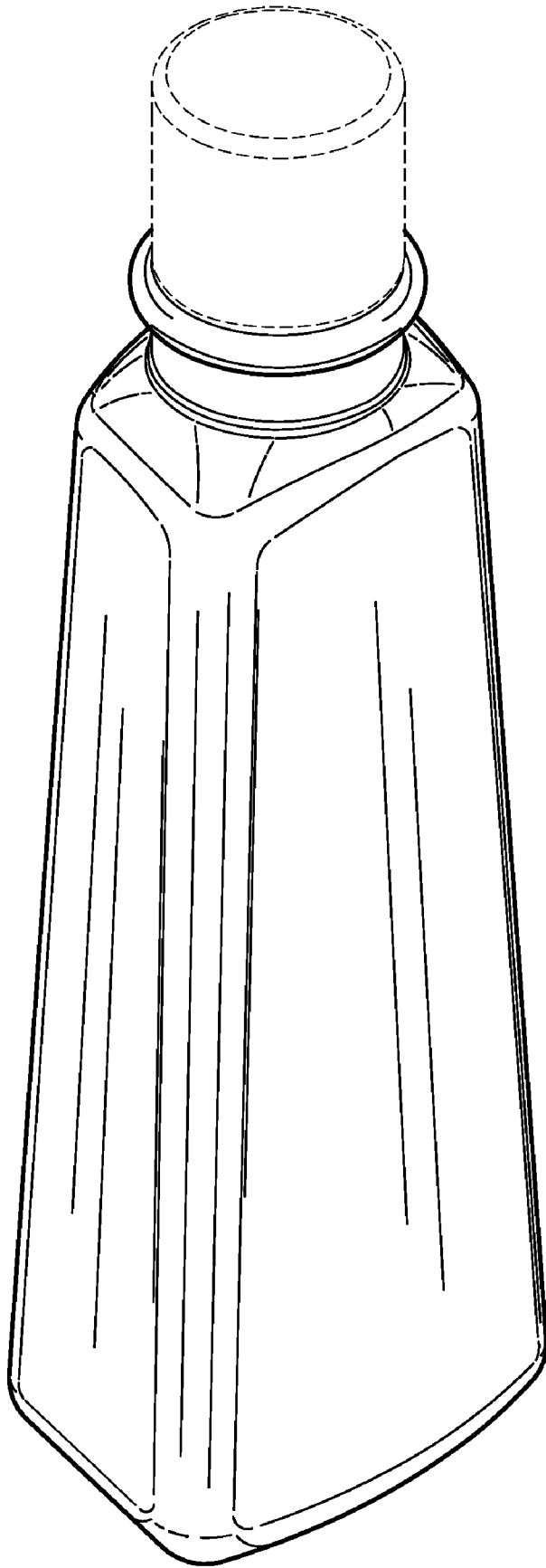


Fig. 2

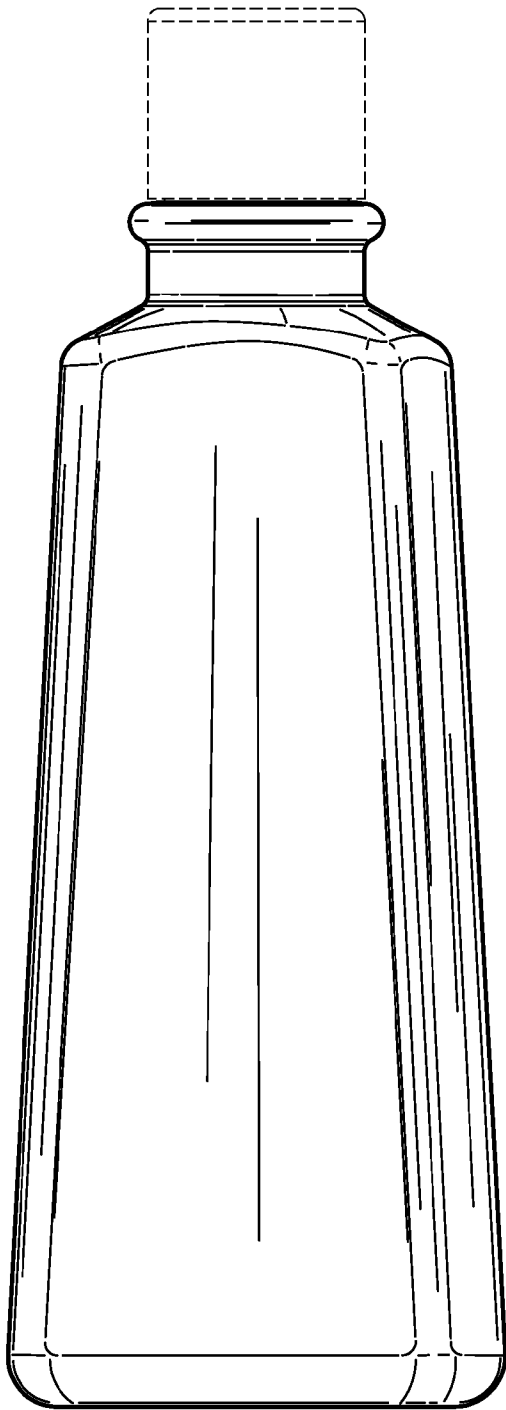


Fig. 3

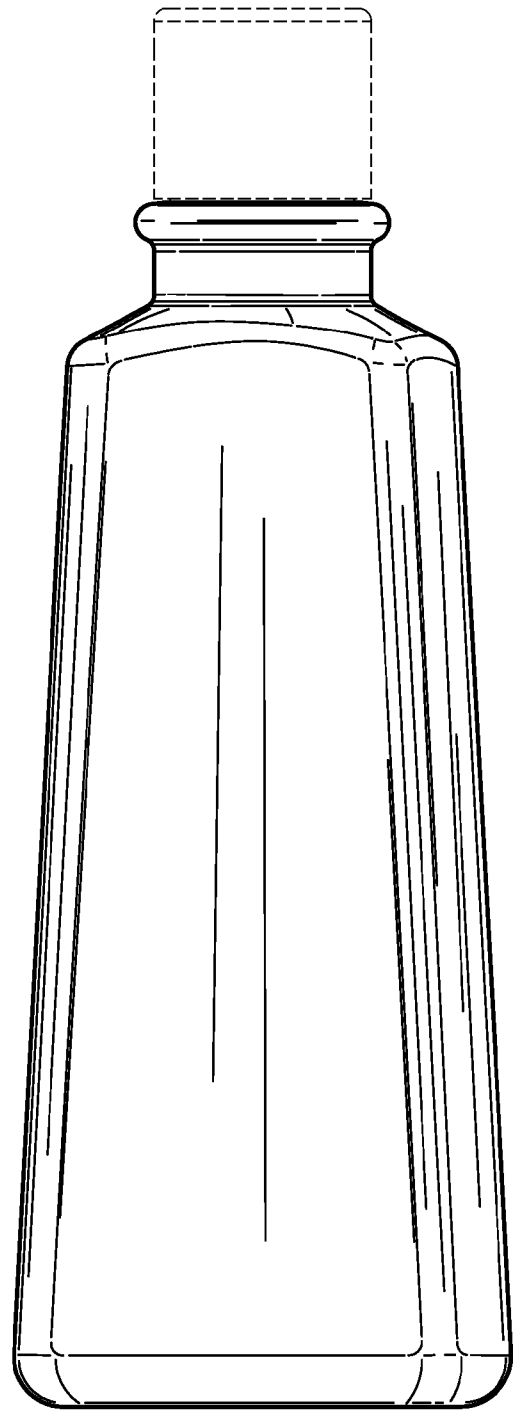


Fig. 4

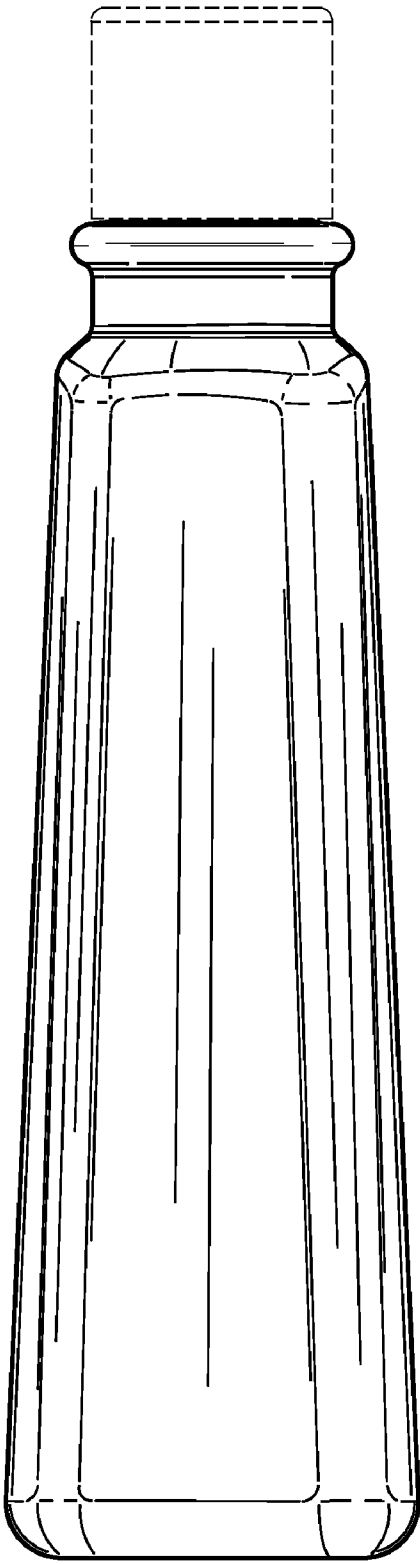


Fig. 5

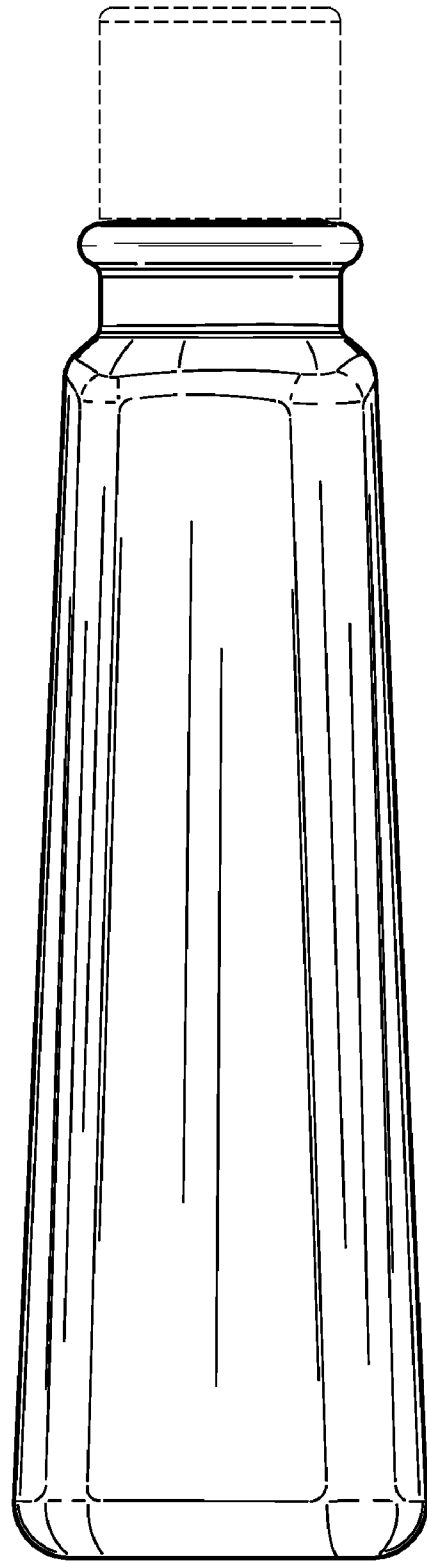


Fig. 6

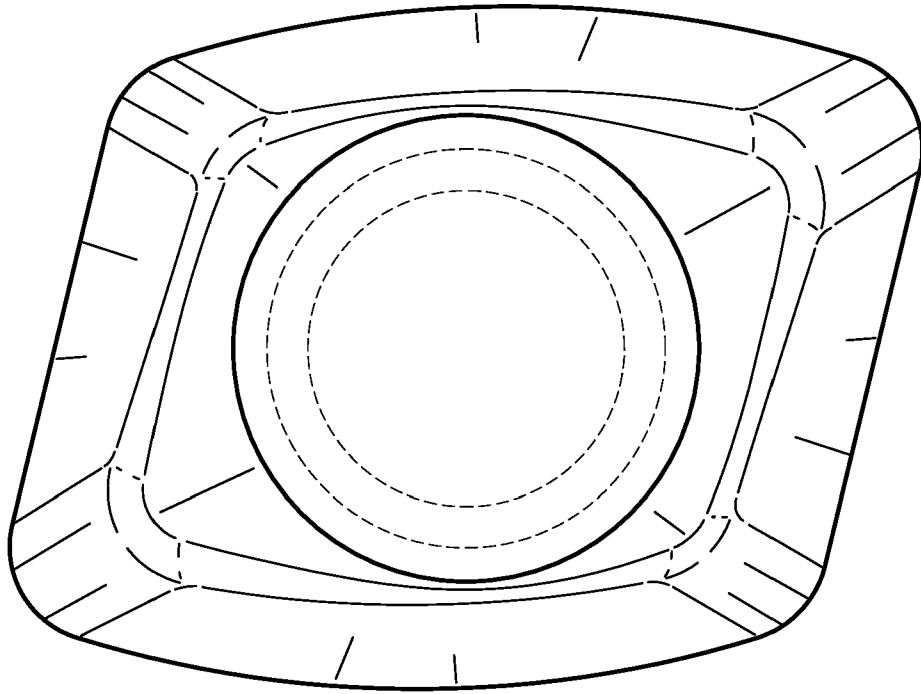


Fig. 7

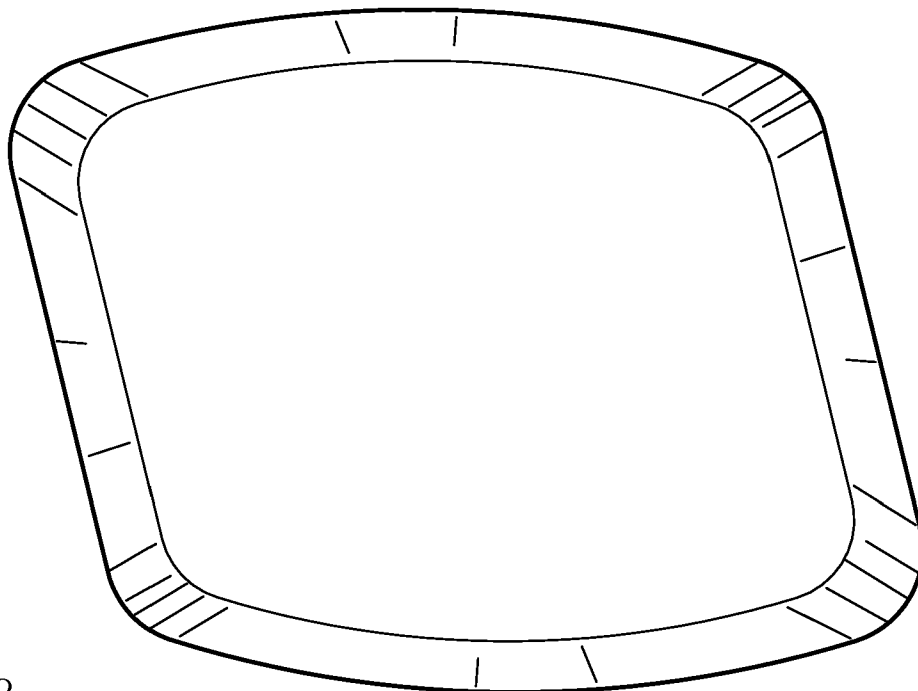


Fig. 8