



US00D627597S

(12) **United States Design Patent**
Henry

(10) **Patent No.:** **US D627,597 S**

(45) **Date of Patent:** **** *Nov. 23, 2010**

(54) **BOXING GLOVE SHAPED BARBECUE GRILL**

(75) Inventor: **Lowell M. Henry**, Redondo Beach, CA (US)

(73) Assignee: **AJML Company, LLC**, Redondo Beach, CA (US)

(*) Notice: This patent is subject to a terminal disclaimer.

(**) Term: **14 Years**

(21) Appl. No.: **29/350,628**

(22) Filed: **Nov. 20, 2009**

(51) **LOC (9) Cl.** **07-02**

(52) **U.S. Cl.** **D7/402**

(58) **Field of Classification Search** D7/332, D7/334-336, 402-404, 408; 126/25 R, 25 A, 126/25 AA, 41 R, 29-30, 9 R, 9 B, 38, 37 R, 126/40, 50; 99/359, 344, 446-449, 473, 99/481-482, 419, 421 HV, 421 R, 421 H; D29/116.1

See application file for complete search history.

(56) **References Cited**

U.S. PATENT DOCUMENTS

D254,202 S	2/1980	Kasas
D256,628 S	9/1980	Fireman
D273,343 S	4/1984	Albert
D274,015 S	5/1984	Golomb
D277,238 S	1/1985	Cass
D281,373 S	11/1985	Golomb
D325,479 S	4/1992	Barfield

D442,421 S	*	5/2001	Cragg	D7/332
D456,044 S		4/2002	St. James		
D472,951 S	*	4/2003	Sullivan	D21/754
D485,115 S	*	1/2004	Barrett	D7/332
D497,076 S	*	10/2004	Sutcliff et al.	D7/332
D546,115 S	*	7/2007	Henry	D7/332
D551,489 S	*	9/2007	Gondek	D7/332
D563,148 S	*	3/2008	Henry	D7/334
D563,151 S	*	3/2008	Henry	D7/334
D564,824 S	*	3/2008	Henry	D7/334
D587,873 S	*	3/2009	Eshleman et al.	D7/334
D590,031 S		4/2009	Aroyan		

* cited by examiner

Primary Examiner—Ruth McInroy

(74) *Attorney, Agent, or Firm*—Gallagher & Dawsey Co., LPA; Michael J. Gallagher; David J. Dawsey

(57) **CLAIM**

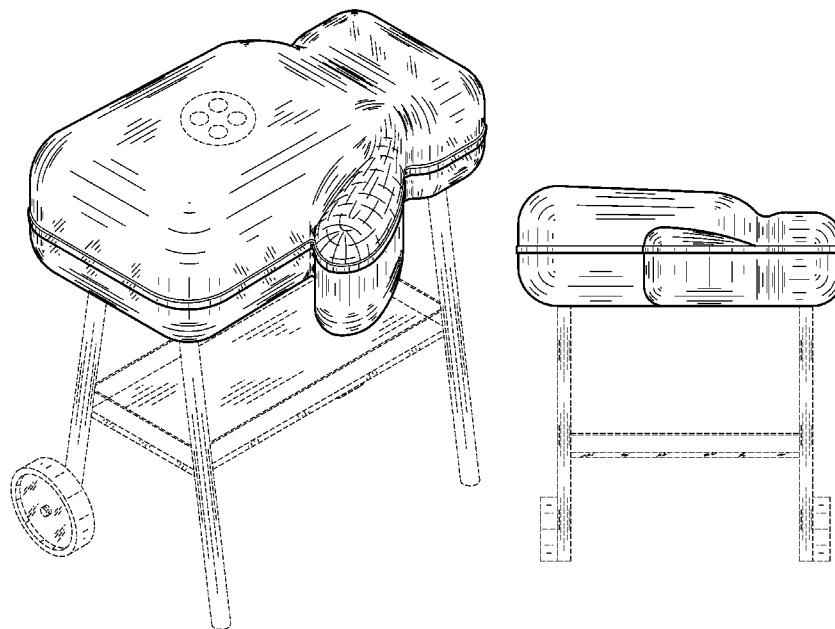
I claim the ornamental design for a boxing glove shaped barbecue grill, as shown and described.

DESCRIPTION

FIG. 1 is a left side isometric view of a boxing glove shaped barbecue grill showing my new design; FIG. 2 is a front elevation view thereof; FIG. 3 is a rear elevation view thereof; FIG. 4 is a right side elevation view thereof; FIG. 5 is a left side elevation view thereof; FIG. 6 is a top plan view thereof; and, FIG. 7 is a bottom plan elevation view thereof.

The broken lines are for illustrative purposes only and form no part of the claimed design.

1 Claim, 4 Drawing Sheets



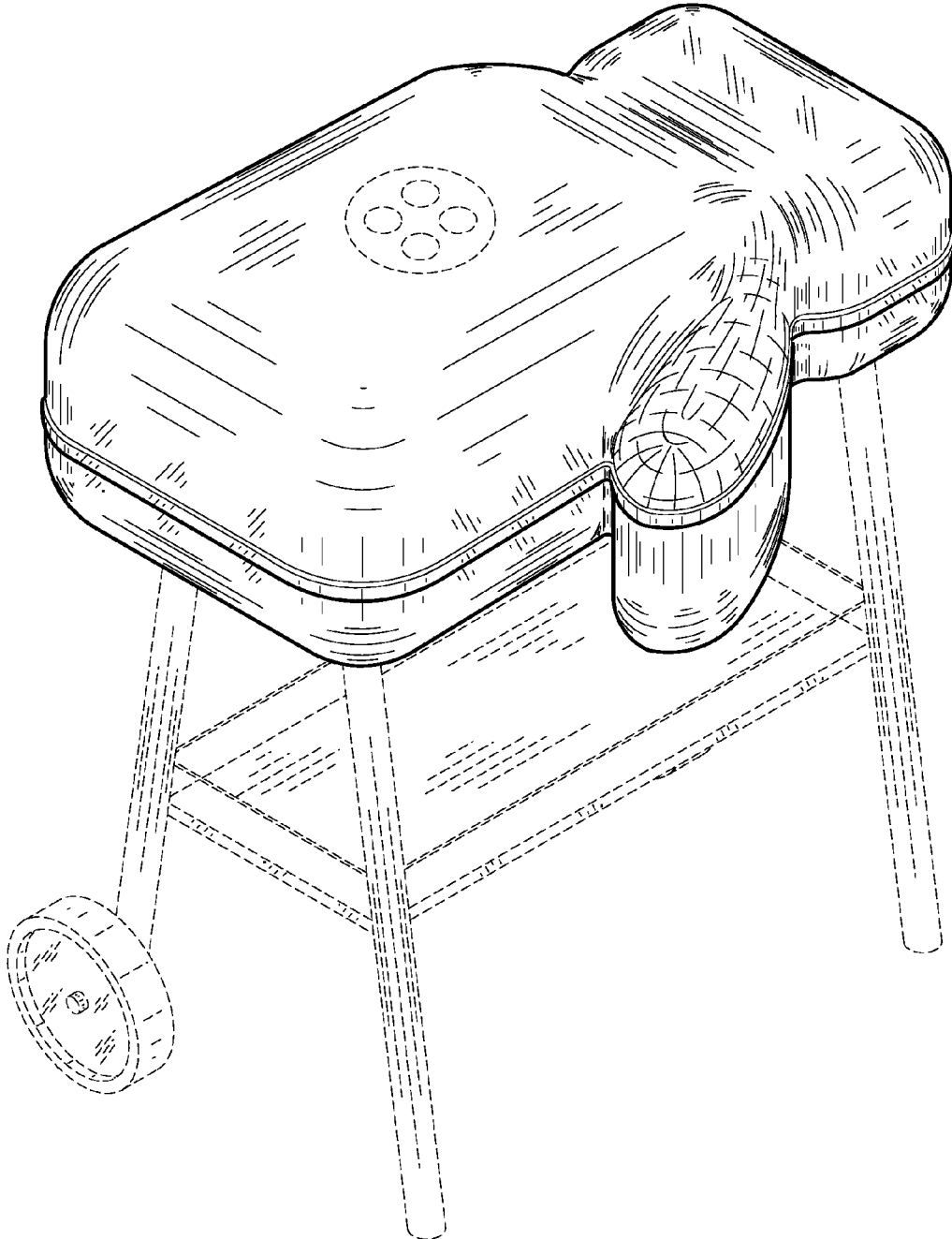


Fig. 1

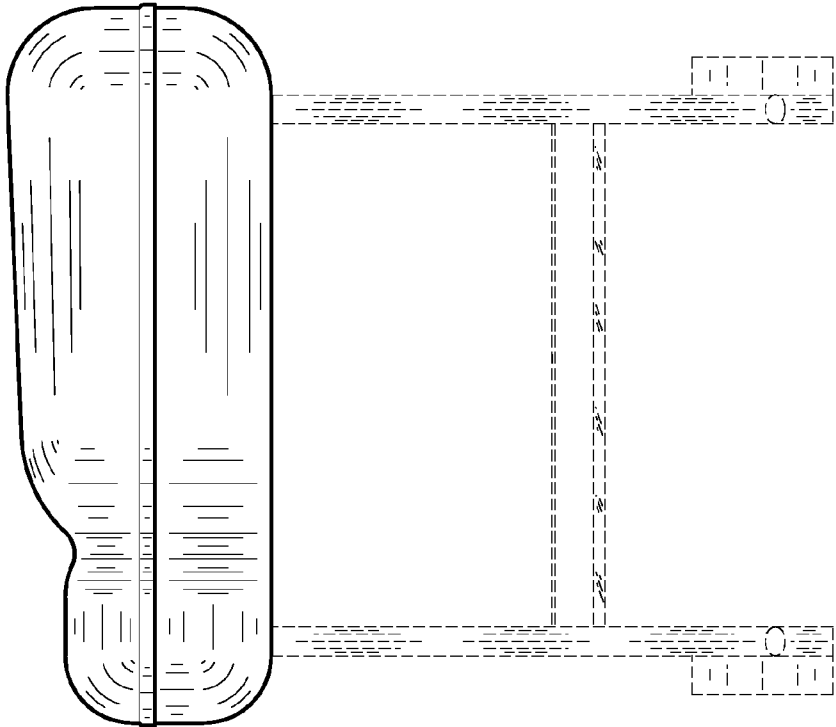


Fig. 2

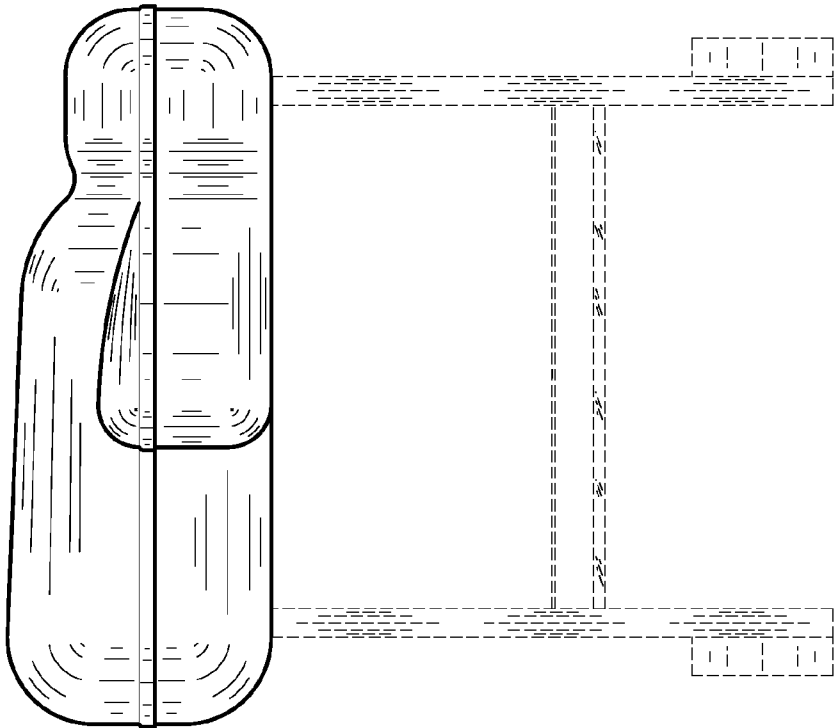


Fig. 3

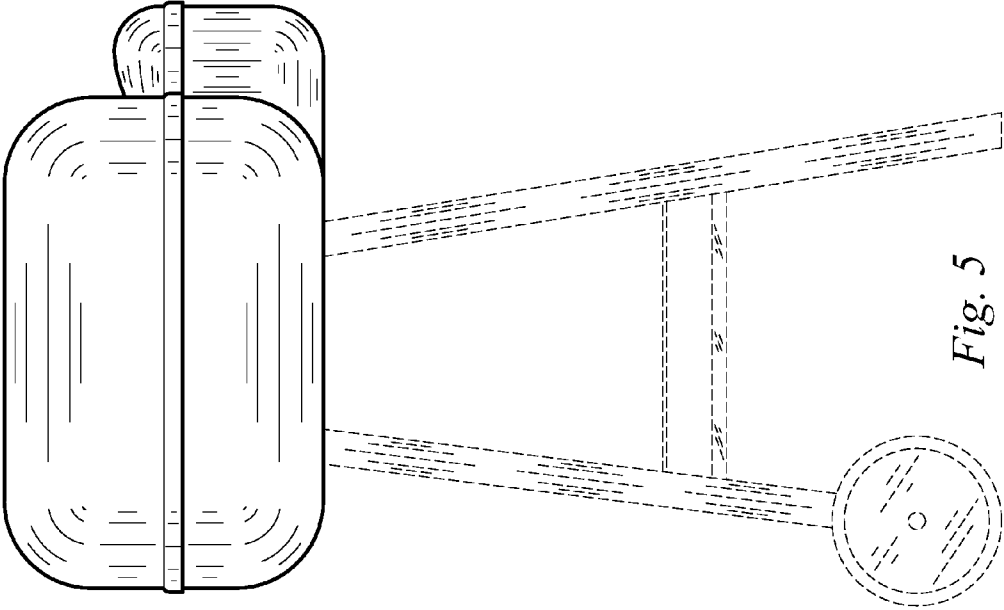


Fig. 5

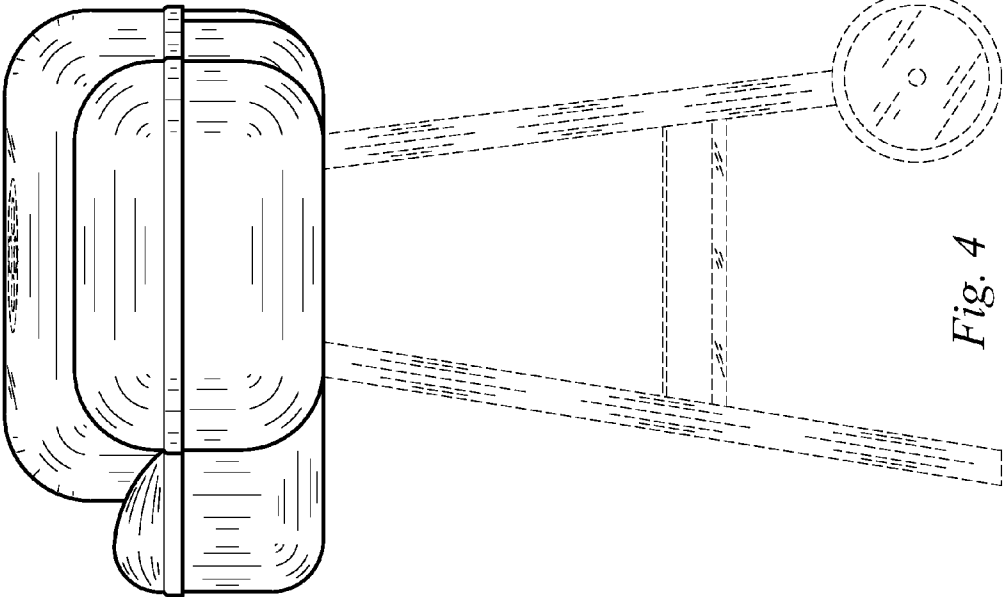


Fig. 4

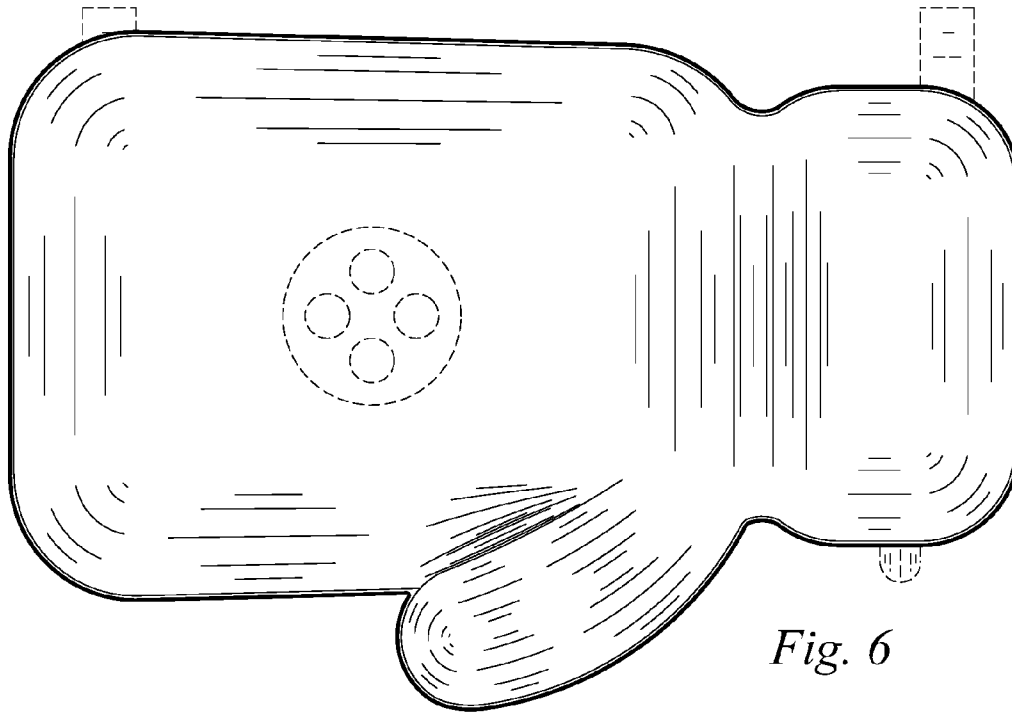


Fig. 6

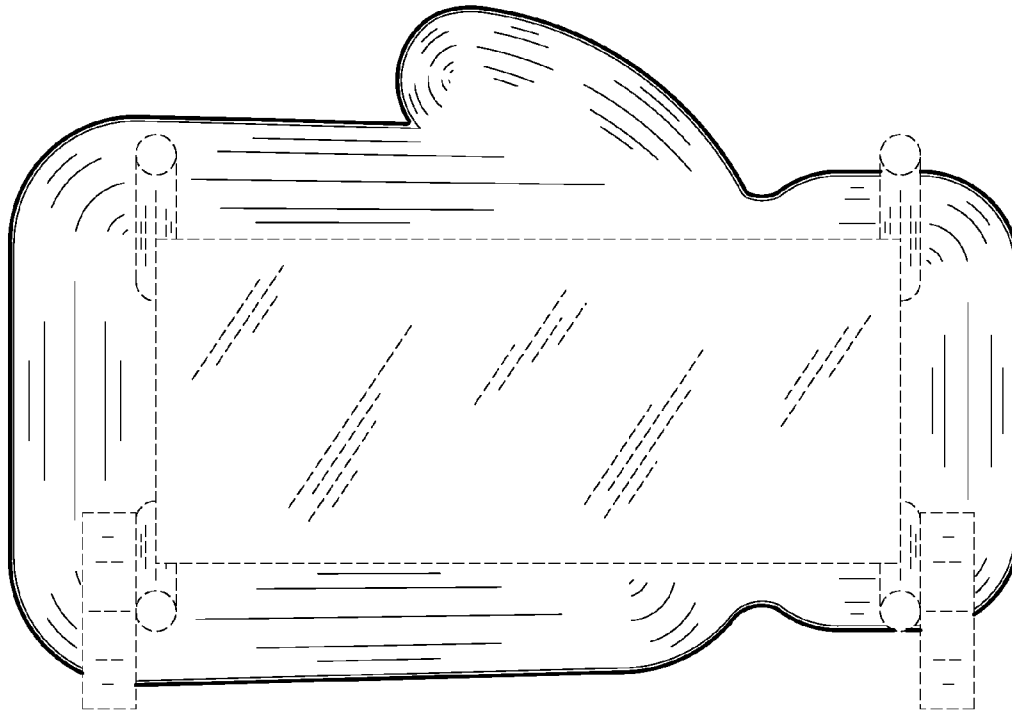


Fig. 7