



US00D669359S

(12) **United States Design Patent**
Kuzma et al.

(10) **Patent No.:** **US D669,359 S**

(45) **Date of Patent:** **** Oct. 23, 2012**

(54) **BOTTLE**

(75) Inventors: **Gene J. Kuzma**, Powell, OH (US);
Tristan O. Herstol, Dublin, OH (US)

(73) Assignee: **GK Packaging, Inc.**, Plain City, OH (US)

(**) Term: **14 Years**

(21) Appl. No.: **29/398,280**

(22) Filed: **Jul. 28, 2011**

(51) **LOC (9) Cl.** **09-01**

(52) **U.S. Cl.** **D9/542; D9/574**

(58) **Field of Classification Search** D9/682,
D9/686-687, 693-694, 521-522, 530, 537-544,
D9/548-549, 552, 558, 565, 572-575; 220/660,
220/662, 669, 675; 215/382-384

See application file for complete search history.

(56) **References Cited**

U.S. PATENT DOCUMENTS

- D21,382 S 3/1892 Hannold
- D25,023 S 12/1895 Rankine
- D28,182 S 1/1898 Whitall
- D37,819 S 2/1906 Bradley
- 882,864 A 3/1908 Burke
- D52,472 S 9/1918 Corey
- D94,189 S 1/1935 Cassidy
- D97,176 S 10/1935 Clevenger
- D97,178 S 10/1935 Clevenger
- D101,919 S 11/1936 Leach
- D104,546 S 5/1937 Topping
- D106,370 S 10/1937 Pancoast
- D106,628 S 10/1937 Leach, Jr.
- D143,421 S 1/1946 Gasner
- 2,586,687 A 2/1952 Mellon
- D176,226 S 11/1955 Morris
- D189,460 S 12/1960 Richter
- D192,535 S 4/1962 Laudano
- D193,311 S 7/1962 Buckley
- D195,230 S 5/1963 Dubbs

- D196,990 S 11/1963 Dubbs
- D198,405 S 6/1964 Recknagel
- D198,407 S 6/1964 Busch
- D201,997 S 8/1965 Luedtke
- D204,707 S 5/1966 Abbott
- 3,342,379 A 9/1967 Foley
- D209,097 S 10/1967 Stehl
- D211,509 S 6/1968 Vanderhyde
- D212,276 S 9/1968 Lodding
- D213,355 S 2/1969 Kneapler
- D213,421 S 3/1969 Leary
- D214,554 S 7/1969 Oltman et al.
- D217,439 S 5/1970 Platte
- D219,366 S 12/1970 Lewis, Jr. et al.
- D222,530 S 11/1971 Luedtke
- D225,834 S 1/1973 Kneapler
- D227,344 S 6/1973 Lerner
- D234,077 S * 1/1975 Peterson D9/573 X
- D234,493 S 3/1975 Schweizer
- D234,682 S 4/1975 Quintal

(Continued)

Primary Examiner — Carol P Rademaker

(74) *Attorney, Agent, or Firm* — Michael J. Gallagher;
David J. Dawsey; Gallagher & Dawsey Co., LPA

(57) **CLAIM**

We claim the ornamental design for a bottle, as shown and described.

DESCRIPTION

FIG. 1 is a perspective view of a bottle showing our new design;

FIG. 2 is a front elevation view thereof;

FIG. 3 is a right side elevation view thereof;

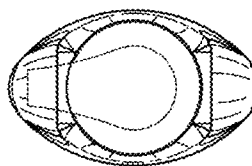
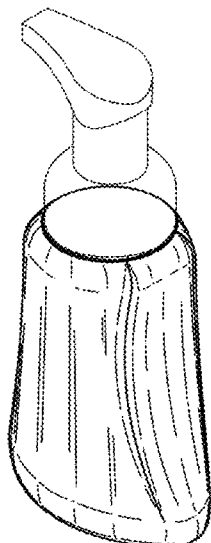
FIG. 4 is a rear elevation view thereof;

FIG. 5 is a left side elevation view thereof; and,

FIG. 6 is a top plan view thereof.

The broken lines shown in the drawing views are included for the purpose of illustrating environmental structure and form no part of the claimed design.

1 Claim, 4 Drawing Sheets



US D669,359 S

U.S. PATENT DOCUMENTS							
3,874,562	A	4/1975	Hazard	D409,091	S	5/1999	Beaver et al.
D238,555	S	1/1976	Blank	D409,092	S	5/1999	Beasley
D246,953	S	1/1978	Britt	D411,804	S	7/1999	Zaragoza
D247,221	S	2/1978	Landor et al.	D412,851	S	8/1999	Nosella
D248,088	S	6/1978	Britt	D413,807	S	9/1999	Mikla
D254,651	S	4/1980	Shortino	5,954,213	A	9/1999	Gerhart et al.
D254,652	S	4/1980	Shortino	D415,037	S	10/1999	Pritchard et al.
D254,711	S	4/1980	Shortino	D417,624	S	12/1999	Herrmann et al.
D254,713	S	4/1980	Shortino	D419,887	S	2/2000	Dugan
D255,543	S	6/1980	Shortino	D419,889	S	2/2000	Kuzma et al.
D255,652	S	7/1980	Kretz	D420,594	S	2/2000	Weinstein et al.
D256,555	S	8/1980	Beeman	D422,506	S	4/2000	Cummings
D257,504	S	11/1980	Weckman	D423,370	S	4/2000	Lewin
D258,117	S	2/1981	Bashour	D424,448	S	5/2000	Weber
D259,542	S	6/1981	Shortino	D425,408	S	5/2000	Bakic
D261,107	S	10/1981	Harris	D425,429	S	5/2000	Weber
D263,281	S	3/1982	Smith	D427,073	S	6/2000	Gaffney et al.
D266,990	S	11/1982	Cook	D427,914	S	7/2000	Croft et al.
D268,647	S	4/1983	Kingsford	D428,343	S	7/2000	Waitzenegger
D272,889	S	3/1984	Walton	D428,578	S	7/2000	Waitzenegger
D273,564	S	4/1984	Spielhoff	D429,649	S	8/2000	Kotyuk
D281,863	S	12/1985	Beechuk et al.	D432,920	S	10/2000	Johnson et al.
D287,823	S	1/1987	Rosenwinkel	D433,637	S	11/2000	Hailey et al.
D288,905	S	3/1987	Platte, Sr.	D433,947	S	11/2000	Ewing, Jr.
D291,778	S	9/1987	Rosenwinkel	D437,559	S	2/2001	Fenton et al.
D302,385	S	* 7/1989	Weiler D9/529	D437,775	S	2/2001	Dalmau
D306,695	S	3/1990	Smith	D438,118	S	2/2001	Dalmau
D308,337	S	6/1990	Weckman	D439,518	S	3/2001	Gavin
D310,329	S	9/1990	Schmidt	D439,843	S	4/2001	Dalmau
D310,964	S	10/1990	Weckman	D441,293	S	5/2001	Togasawa
D312,779	S	12/1990	Tacconelli	D444,389	S	7/2001	Bakic
D317,259	S	6/1991	Schmidt	D444,390	S	7/2001	Kokenge et al.
D321,131	S	10/1991	Wiseman et al.	D446,128	S	8/2001	Adee et al.
D322,936	S	1/1992	Maginnis, Jr.	D446,459	S	8/2001	Weber
D322,937	S	1/1992	Dinand	D447,694	S	9/2001	Leggett
D324,820	S	3/1992	Hayman et al.	D448,678	S	10/2001	Bakic
D324,821	S	3/1992	Solomon	D448,999	S	10/2001	Weber
D324,998	S	3/1992	Klapwald	D450,247	S	11/2001	Johnson et al.
D336,246	S	6/1993	Narvaez	D450,597	S	11/2001	Bobchenok et al.
D346,964	S	5/1994	Green	6,321,923	B1	11/2001	Wood
D347,388	S	5/1994	Crawford	D452,157	S	12/2001	White et al.
D347,389	S	5/1994	Crawford	D452,446	S	12/2001	Shear
D347,794	S	6/1994	Lewis	D455,648	S	4/2002	Cummings
D348,606	S	7/1994	Edstrom	D455,655	S	4/2002	Bunce
D349,857	S	8/1994	Lonczak et al.	D457,069	S	5/2002	Palaia
D350,691	S	9/1994	Simion	D458,149	S	6/2002	Cummings
D352,462	S	11/1994	Rupert	D458,847	S	6/2002	Kuzma et al.
D353,775	S	12/1994	Thompson	D459,212	S	6/2002	Gobe
5,392,937	A	2/1995	Prevot et al.	D459,659	S	7/2002	Chung
D356,038	S	3/1995	Biesecker	D459,996	S	7/2002	Kuzma et al.
D357,418	S	4/1995	Lonczak et al.	D463,747	S	10/2002	Peon et al.
D360,831	S	8/1995	Boisset	D468,214	S	1/2003	Kuzma et al.
D368,859	S	4/1996	LoPreto	D468,643	S	1/2003	Kuzma et al.
D369,980	S	5/1996	Dinand	D468,644	S	1/2003	Kuzma et al.
D370,849	S	6/1996	Asante	D469,022	S	1/2003	Kuzma et al.
D372,873	S	8/1996	Lathrop et al.	D470,772	S	2/2003	Egger
5,542,585	A	8/1996	Peters et al.	D471,111	S	3/2003	Kuzma et al.
D373,536	S	9/1996	Kokenge et al.	D471,461	S	3/2003	McGowan
D375,051	S	10/1996	Lathrop et al.	D472,154	S	3/2003	Peon et al.
D376,310	S	12/1996	Crawford	D475,298	S	6/2003	Corrigan et al.
D377,755	S	2/1997	Kotyuk et al.	D480,002	S	9/2003	Canepa
5,598,941	A	2/1997	Semersky et al.	D481,950	S	11/2003	Bakic
D378,665	S	4/1997	Fenton et al.	D486,065	S	2/2004	Hutchinson et al.
D381,895	S	8/1997	Cheng	D489,267	S	5/2004	Rennie et al.
D382,209	S	8/1997	Fenton et al.	D495,609	S	9/2004	Wurster
D386,090	S	11/1997	de Giovellina	D495,959	S	9/2004	Hogan et al.
D392,895	S	3/1998	Kuzma et al.	D495,960	S	9/2004	Hogan et al.
D392,897	S	3/1998	Biesecker et al.	D496,264	S	9/2004	Eaton et al.
D393,202	S	4/1998	Bertolini et al.	D496,283	S	9/2004	Busa, Jr.
D393,596	S	4/1998	Kotyuk	D496,867	S	10/2004	Kuzma et al.
D396,191	S	7/1998	Kuzma et al.	D497,312	S	10/2004	Anderson et al.
D397,608	S	9/1998	Fiore	D498,670	S	11/2004	Cummings et al.
D398,239	S	9/1998	Bertolini et al.	D500,447	S	1/2005	Snyder
D398,244	S	9/1998	Bertolini et al.	D500,954	S	1/2005	Kuzma et al.
D398,853	S	9/1998	Phillips	D501,141	S	1/2005	Bakic
5,816,451	A	10/1998	Renault	D502,400	S	3/2005	Cinquino et al.
D403,592	S	1/1999	Everard et al.	D505,079	S	5/2005	Mulder et al.
D408,740	S	4/1999	Jones et al.	D509,148	S	9/2005	Wilson et al.
				D510,030	S	9/2005	Storz et al.

US D669,359 S

D513,993 S	1/2006	Boyd	D569,730 S	5/2008	Crabtree et al.	
D514,448 S	2/2006	Kuzma et al.	D578,395 S	10/2008	Kuzma et al.	
D521,386 S	5/2006	Priestman	D578,406 S	10/2008	Kuzma et al.	
D522,867 S	6/2006	Bakic	D581,276 S	11/2008	Kuzma et al.	
D524,657 S	7/2006	Harris et al.	D584,953 S *	1/2009	Rica	D9/544
D525,872 S	8/2006	Haubert et al.	D585,750 S	2/2009	Kuzma et al.	
D525,873 S	8/2006	Haubert et al.	D605,518 S	12/2009	Desjardins	
D526,200 S	8/2006	Bakic	D607,742 S *	1/2010	Kuzma et al.	D9/558
D526,204 S	8/2006	Stolle	D608,210 S *	1/2010	Kuzma et al.	D9/542
D526,569 S	8/2006	Wurster	D608,213 S *	1/2010	Kuzma et al.	D9/573
D527,636 S	9/2006	Bakic	D610,012 S *	2/2010	MacDonald et al.	D9/521
D529,388 S	10/2006	Bakic	D615,411 S *	5/2010	Kuzma et al.	D9/575 X
D529,810 S	10/2006	Davies et al.	D615,871 S *	5/2010	Renz et al.	D9/574
D529,814 S	10/2006	Winkler et al.	D617,646 S *	6/2010	Kuzma et al.	D9/522
D535,887 S	1/2007	Haubert, III et al.	D622,146 S	8/2010	Wheaton et al.	
D535,888 S	1/2007	Kuzma et al.	D623,066 S *	9/2010	Mongeon et al.	D9/574 X
D535,891 S	1/2007	Varlet	D623,532 S *	9/2010	Kuzma et al.	D9/552
D536,619 S	2/2007	Heisner	D626,002 S	10/2010	Charyszyn et al.	
D538,678 S	3/2007	Cummings et al.	D626,423 S *	11/2010	Lauret	D9/574
D540,185 S	4/2007	Cummings et al.	D632,181 S *	2/2011	Kuzma et al.	D9/542
D541,162 S	4/2007	Pleines et al.	D632,581 S *	2/2011	Kuzma et al.	D9/558
D542,661 S	5/2007	Adler et al.	D641,247 S	7/2011	Kuzma et al.	
D547,190 S	7/2007	Kuzma et al.	D642,066 S	7/2011	Kuzma et al.	
D551,555 S	9/2007	Escobosa et al.	D642,922 S	8/2011	Kuzma et al.	
D553,001 S	10/2007	Granitz	D644,519 S *	9/2011	Howell et al.	D9/521
D555,500 S	11/2007	Johnston et al.	D644,529 S *	9/2011	Padain et al.	D9/558 X
D556,056 S	11/2007	Thomas et al.	D644,530 S *	9/2011	Padain et al.	D9/529
D558,575 S	1/2008	Van Der Krogt et al.	D644,531 S *	9/2011	Padain et al.	D9/529
D558,580 S	1/2008	Kuzma et al.	D646,171 S *	10/2011	Howell et al.	D9/521
D559,114 S	1/2008	Breitlander	D650,281 S *	12/2011	Padain et al.	D9/521
D562,139 S	2/2008	Crabtree et al.	D650,282 S *	12/2011	Padain et al.	D9/558 X
D562,140 S	2/2008	Crabtree et al.	D651,518 S *	1/2012	Padain et al.	D9/529
D563,793 S	3/2008	Nomoto	D656,666 S *	3/2012	McGregor et al.	D26/154
D563,798 S	3/2008	Gibson et al.				
D567,664 S	4/2008	Rica				

* cited by examiner

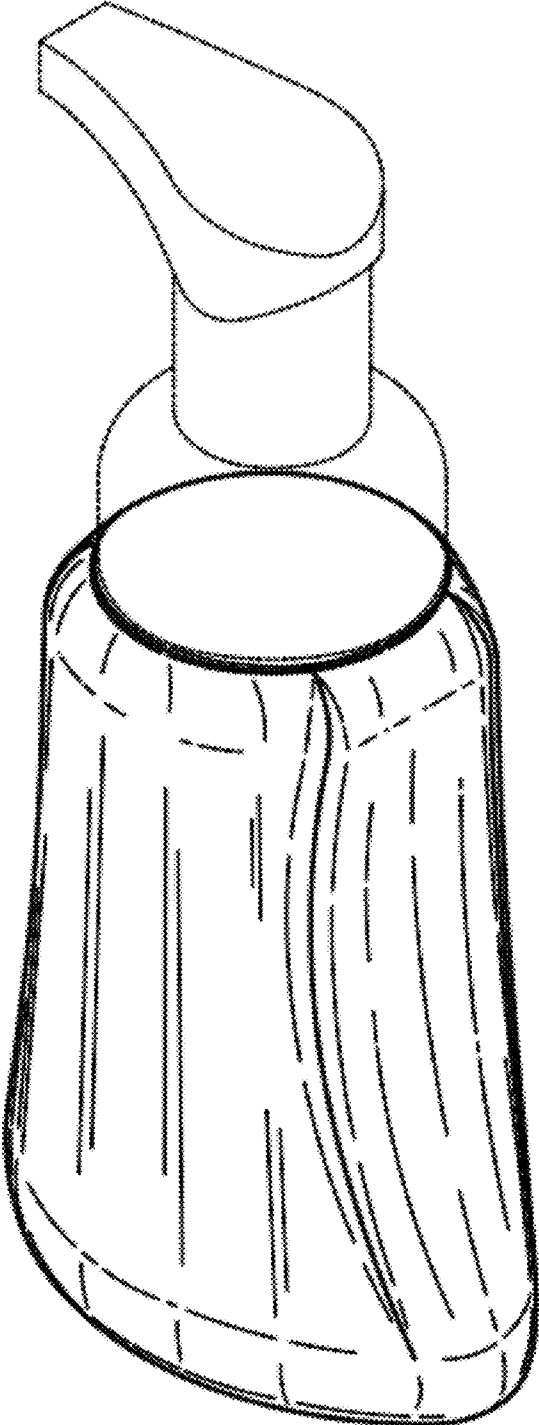


FIGURE 1

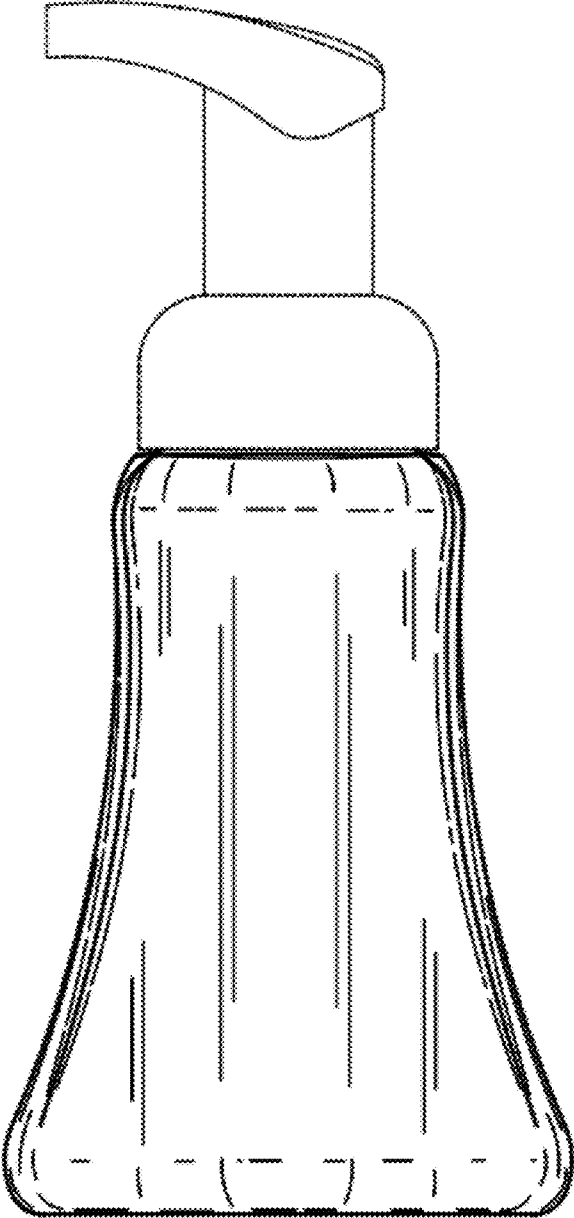


FIGURE 2

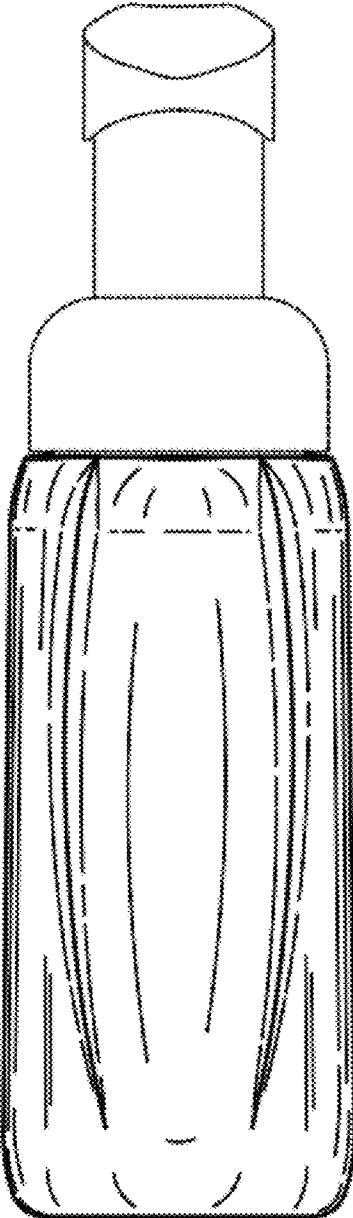


FIGURE 3

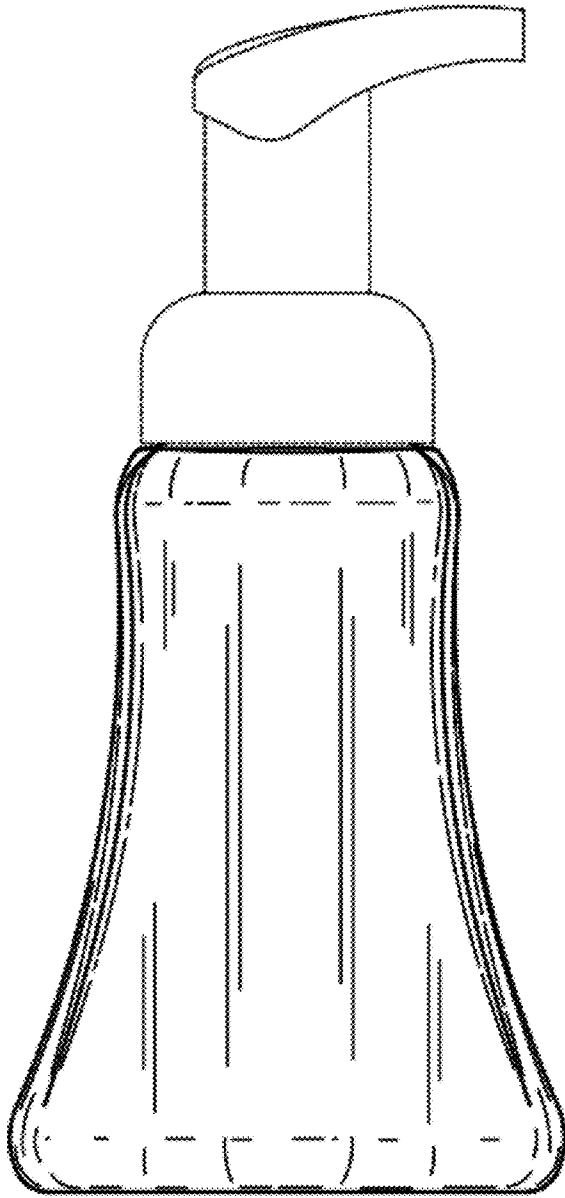


FIGURE 4

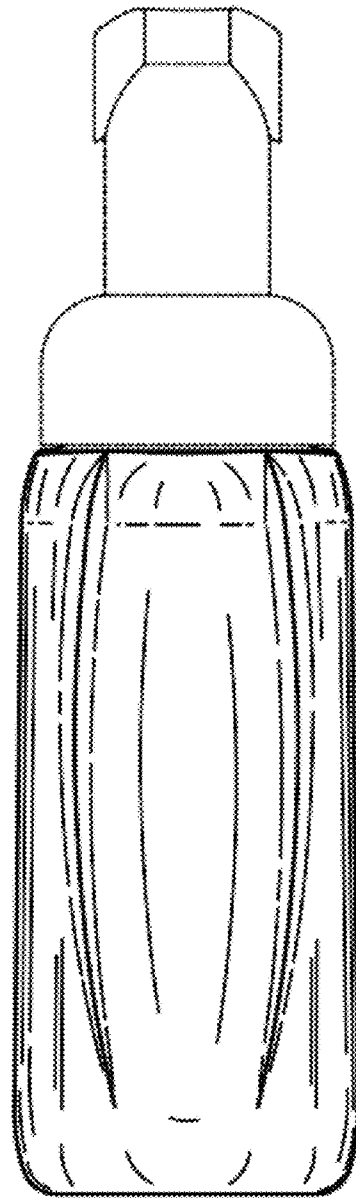


FIGURE 5

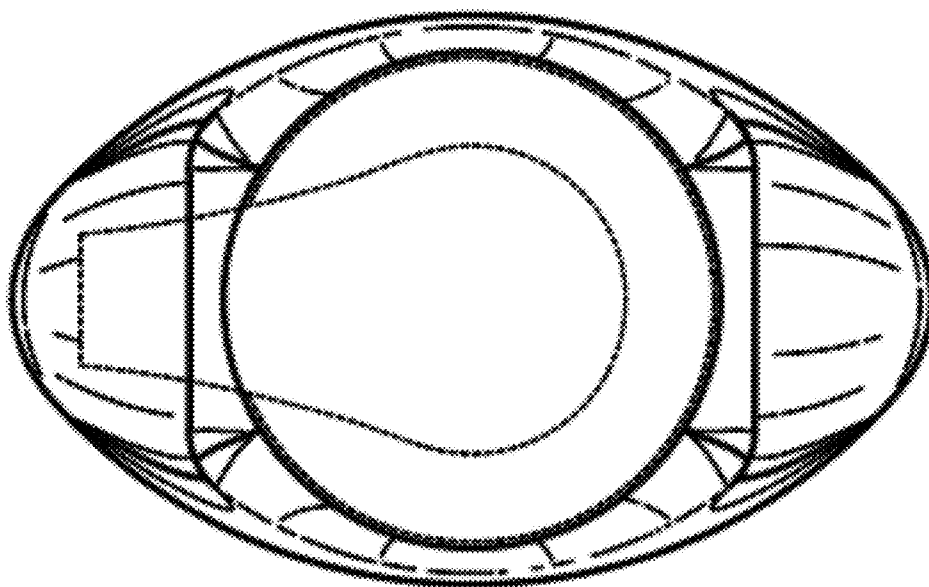


FIGURE 6