



US011465019B2

(12) **United States Patent**
Albertsen et al.

(10) **Patent No.:** **US 11,465,019 B2**
(45) **Date of Patent:** ***Oct. 11, 2022**

(54) **AERODYNAMIC GOLF CLUB HEAD**

(71) Applicant: **Taylor Made Golf Company, Inc.**,
Carlsbad, CA (US)

(72) Inventors: **Jeffrey J. Albertsen**, Plano, TX (US);
Michael Scott Burnett, McKinney, TX (US)

(73) Assignee: **TAYLOR MADE GOLF COMPANY, INC.**,
Carlsbad, CA (US)

(*) Notice: Subject to any disclaimer, the term of this
patent is extended or adjusted under 35
U.S.C. 154(b) by 72 days.

This patent is subject to a terminal dis-
claimer.

(21) Appl. No.: **17/145,511**

(22) Filed: **Jan. 11, 2021**

(65) **Prior Publication Data**

US 2021/0128995 A1 May 6, 2021

Related U.S. Application Data

(63) Continuation of application No. 16/550,361, filed on
Aug. 26, 2019, now Pat. No. 10,888,747, which is a
continuation of application No. 15/959,896, filed on
Apr. 23, 2018, now Pat. No. 10,391,366, which is a
continuation of application No. 15/334,790, filed on
Oct. 26, 2016, now Pat. No. 9,950,221, which is a
continuation of application No. 14/789,263, filed on
Jul. 1, 2015, now Pat. No. 9,504,886, which is a
continuation of application No. 14/259,475, filed on

(Continued)

(51) **Int. Cl.**

A63B 53/04 (2015.01)

A63B 60/00 (2015.01)

(52) **U.S. Cl.**

CPC **A63B 53/0466** (2013.01); **A63B 53/0408**
(2020.08); **A63B 53/0412** (2020.08); **A63B**
53/0437 (2020.08); **A63B 60/006** (2020.08);
A63B 2225/01 (2013.01)

(58) **Field of Classification Search**

CPC **A63B 53/0466**; **A63B 53/0408**; **A63B**
53/0412; **A63B 53/0437**; **A63B 60/006**;
A63B 2225/01

See application file for complete search history.

(56) **References Cited**

U.S. PATENT DOCUMENTS

1,526,438 A 2/1925 Scott
1,541,126 A * 6/1925 Dunn **A63B 53/0466**
473/328

(Continued)

FOREIGN PATENT DOCUMENTS

EP 0446935 9/1991
JP H06190088 7/1994

(Continued)

OTHER PUBLICATIONS

"Cleveland HiBore Driver Review," <http://thesandtrip.com>, 7 pages,
May 19, 2006.

(Continued)

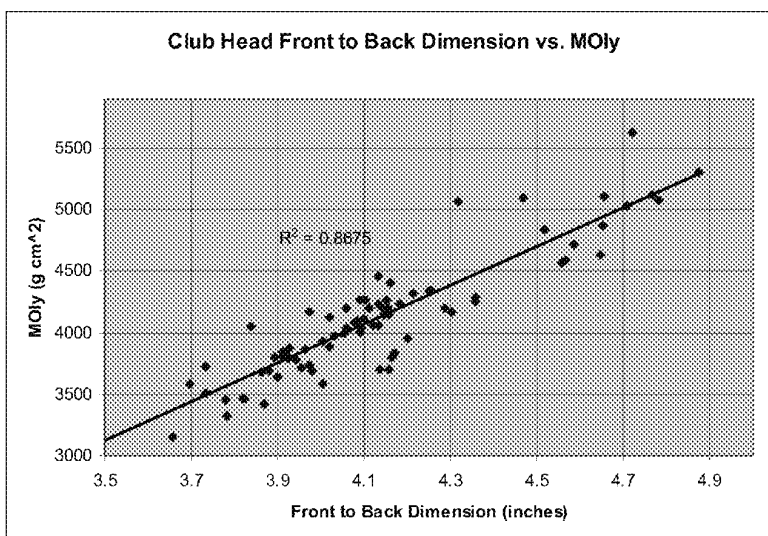
Primary Examiner — Michael D Dennis

(74) *Attorney, Agent, or Firm* — Dawsey Co., LPA;
David J. Dawsey

(57) **ABSTRACT**

An aerodynamic golf club head producing reduced aerody-
namic drag forces via unique club head relationships.

33 Claims, 19 Drawing Sheets



Related U.S. Application Data

Apr. 23, 2014, now Pat. No. 9,168,433, which is a continuation of application No. 14/069,448, filed on Nov. 1, 2013, now Pat. No. 9,881,101, which is a continuation of application No. 13/960,879, filed on Aug. 7, 2013, now Pat. No. 8,597,137, which is a continuation of application No. 13/683,299, filed on Nov. 21, 2012, now Pat. No. 8,540,586, which is a continuation of application No. 13/305,978, filed on Nov. 29, 2011, now abandoned, which is a continuation of application No. 12/409,998, filed on Mar. 24, 2009, now Pat. No. 8,088,021, which is a continuation-in-part of application No. 12/367,839, filed on Feb. 9, 2009, now Pat. No. 8,083,609.

(60) Provisional application No. 61/101,919, filed on Oct. 1, 2008, provisional application No. 61/080,892, filed on Jul. 15, 2008.

(56) **References Cited**

U.S. PATENT DOCUMENTS

2,083,189 A 6/1937 Crooker
 2,460,435 A 2/1949 Schaffer
 3,085,804 A 4/1963 Pieper
 3,166,320 A 1/1965 Onions
 3,266,805 A 8/1966 Bulla
 3,468,544 A 9/1969 Antonious
 3,637,218 A 1/1972 Carlino
 3,893,672 A 7/1975 Schonher
 3,941,390 A 3/1976 Hussey
 3,985,363 A 10/1976 Jepson et al.
 3,997,170 A 12/1976 Goldberg
 4,043,563 A 8/1977 Churchward
 4,065,133 A 12/1977 Gordos
 4,077,633 A 3/1978 Studen
 4,139,196 A 2/1979 Riley
 4,147,349 A 4/1979 Jeghers
 4,165,076 A 8/1979 Cella
 4,193,601 A 3/1980 Reid, Jr. et al.
 D256,709 S 9/1980 Reid, Jr. et al.
 4,247,105 A 1/1981 Jeghers
 D265,112 S 6/1982 Lyons
 4,431,192 A 2/1984 Stuff, Jr.
 4,432,549 A 2/1984 Zebelean
 4,471,961 A 9/1984 Masghati et al.
 4,527,799 A 7/1985 Solheim
 4,592,552 A 6/1986 Garber
 4,754,974 A 7/1988 Kobayashi
 4,787,636 A 11/1988 Honma
 4,811,950 A 3/1989 Kobayashi
 4,881,739 A 11/1989 Garcia
 4,895,367 A 1/1990 Kajita et al.
 4,919,428 A 4/1990 Perkins
 5,000,454 A 3/1991 Soda
 5,054,784 A 10/1991 Collins
 5,092,599 A 3/1992 Okumoto et al.
 5,116,054 A 5/1992 Johnson
 5,120,061 A 6/1992 Tsuchida et al.
 5,190,289 A 3/1993 Nagai et al.
 5,193,810 A 3/1993 Antonious
 5,193,811 A 3/1993 Okumoto et al.
 5,219,408 A 6/1993 Sun
 5,221,086 A 6/1993 Antonious
 5,255,919 A 10/1993 Johnson
 5,301,944 A 4/1994 Koehler
 5,318,297 A 6/1994 Davis et al.
 D349,543 S 8/1994 MacDougall
 5,340,106 A 8/1994 Ravaris
 5,435,558 A 7/1995 Iriarte
 5,482,280 A 1/1996 Yamawaki
 5,499,814 A 3/1996 Lu
 5,501,459 A 3/1996 Endo
 5,511,786 A 4/1996 Antonious

5,518,243 A 5/1996 Redman
 5,547,427 A 8/1996 Rigal et al.
 5,558,332 A 9/1996 Cook
 D375,130 S 10/1996 Hlinka et al.
 D378,770 S 4/1997 Hlinka et al.
 5,632,695 A 5/1997 Hlinka et al.
 5,676,606 A 10/1997 Schaeffer et al.
 5,695,412 A 12/1997 Cook
 5,700,208 A 12/1997 Nelms
 5,720,674 A 2/1998 Galy
 5,759,114 A 6/1998 Bluto et al.
 5,785,608 A 7/1998 Collins
 5,785,609 A * 7/1998 Sheets A63B 53/04
 473/328
 5,797,807 A 8/1998 Moore
 D397,750 S 9/1998 Frazetta
 RE35,931 E 10/1998 Schroder et al.
 D401,650 S 11/1998 Burrows
 5,851,160 A 12/1998 Rugge et al.
 5,876,293 A 3/1999 Musty
 5,885,166 A 3/1999 Shiraishi
 5,890,971 A 4/1999 Shiraishi
 5,935,020 A 8/1999 Stites et al.
 5,954,595 A 9/1999 Antonious
 5,967,905 A 10/1999 Nakahara et al.
 6,001,029 A 12/1999 Kobayashi
 6,033,319 A 3/2000 Farrar
 6,074,308 A 6/2000 Domas
 6,083,115 A 7/2000 King
 6,093,113 A 7/2000 Mertens
 6,123,627 A 9/2000 Antonious
 6,139,445 A 10/2000 Werner et al.
 6,162,132 A 12/2000 Yoneyama
 6,168,537 B1 1/2001 Ezawa
 6,248,025 B1 6/2001 Murphy et al.
 6,332,848 B1 12/2001 Long et al.
 6,344,002 B1 2/2002 Kajita
 6,402,639 B1 6/2002 Iwata et al.
 6,458,042 B1 10/2002 Chen
 6,464,598 B1 10/2002 Miller
 6,471,604 B2 10/2002 Hocknell et al.
 6,491,592 B2 12/2002 Cackett et al.
 6,530,847 B1 3/2003 Antonious
 6,565,452 B2 5/2003 Helmstetter et al.
 6,575,845 B2 6/2003 Galloway et al.
 6,582,323 B2 6/2003 Soracco et al.
 6,592,466 B2 7/2003 Helmstetter et al.
 6,607,452 B2 8/2003 Helmstetter et al.
 D482,420 S 11/2003 Burrows
 6,645,086 B1 11/2003 Chen
 6,648,773 B1 11/2003 Evans
 6,663,504 B2 12/2003 Hocknell et al.
 6,669,578 B1 12/2003 Evans
 6,676,536 B1 1/2004 Jacobson
 6,723,002 B1 4/2004 Barlow
 6,739,982 B2 5/2004 Murphy et al.
 6,739,983 B2 5/2004 Helmstetter et al.
 6,758,763 B2 7/2004 Murphy et al.
 6,773,359 B1 8/2004 Lee
 6,776,723 B2 8/2004 Bliss et al.
 D501,903 S 2/2005 Tanaka
 6,855,068 B2 2/2005 Antonious
 6,860,818 B2 3/2005 Mahaffey et al.
 6,860,824 B2 3/2005 Evans
 6,875,129 B2 4/2005 Erickson et al.
 6,881,159 B2 4/2005 Galloway et al.
 6,890,267 B2 5/2005 Mahaffey et al.
 6,926,619 B2 8/2005 Helmstetter et al.
 6,929,565 B2 8/2005 Nakahara et al.
 6,939,247 B1 9/2005 Schweigert et al.
 6,955,612 B2 10/2005 Lu
 6,988,960 B2 1/2006 Mahaffey et al.
 6,991,558 B2 1/2006 Beach et al.
 D515,643 S 2/2006 Oritz
 6,994,636 B2 2/2006 Hocknell et al.
 6,994,637 B2 2/2006 Murphy et al.
 7,004,849 B2 2/2006 Cameron
 7,025,692 B2 4/2006 Erickson et al.
 7,025,695 B2 4/2006 Mitsuba

(56)

References Cited

U.S. PATENT DOCUMENTS

D522,601 S	6/2006	Schweigert	7,931,546 B2	4/2011	Bennett et al.
7,066,835 B2	6/2006	Evans et al.	7,934,998 B2	5/2011	Yokota
7,070,517 B2	7/2006	Cackett et al.	7,938,740 B2	5/2011	Breier et al.
7,086,962 B2	8/2006	Galloway et al.	7,980,964 B2	7/2011	Soracco
7,097,573 B2	8/2006	Erickson et al.	3,007,371 A1	8/2011	Breier et al.
7,118,493 B2	10/2006	Galloway	7,993,216 B2	8/2011	Lee
7,121,957 B2	10/2006	Hocknell et al.	8,012,038 B1	9/2011	Beach et al.
7,125,344 B2	10/2006	Hocknell et al.	8,012,039 B2	9/2011	Greaney et al.
7,128,661 B2	10/2006	Soracco et al.	8,038,545 B2	10/2011	Soracco
7,128,664 B2	10/2006	Onoda et al.	8,043,167 B2	10/2011	Boyd et al.
7,144,333 B2	12/2006	Murphy et al.	8,062,151 B2	11/2011	Boyd et al.
7,163,470 B2	1/2007	Galloway et al.	8,083,609 B2	12/2011	Burnett et al.
7,166,038 B2	1/2007	Williams et al.	8,088,021 B2	1/2012	Albertsen et al.
7,169,058 B1	1/2007	Fagan	8,100,781 B2	1/2012	Burnett et al.
D537,495 S	2/2007	Schweigert	8,133,135 B2	3/2012	Stites et al.
7,175,541 B2	2/2007	Lo	8,147,354 B2	4/2012	Hartwell et al.
7,189,165 B2	3/2007	Yamamoto	8,167,739 B2	5/2012	Lukasiewicz, Jr. et al.
D543,600 S	5/2007	Oldknow	8,187,115 B2	5/2012	Bennett et al.
D544,939 S	6/2007	Radcliffe et al.	8,187,119 B2	5/2012	Rae et al.
7,229,362 B2	6/2007	Tavares	8,216,087 B2	7/2012	Breier et al.
D549,792 S	8/2007	Parise	8,221,260 B2	7/2012	Stites et al.
7,252,599 B2	8/2007	Hasegawa	8,226,499 B2	7/2012	Soracco
7,258,625 B2	8/2007	Kawaguchi et al.	8,235,844 B2	8/2012	Albertsen et al.
7,258,630 B2	8/2007	Erickson et al.	8,303,433 B2	11/2012	Roach et al.
7,258,631 B2	8/2007	Galloway et al.	8,337,326 B2	12/2012	Lukasiewicz, Jr. et al.
7,273,419 B2	9/2007	Evans et al.	8,409,032 B2	4/2013	Myrhum et al.
D552,198 S	10/2007	Schweigert	8,419,569 B2	4/2013	Bennett et al.
D554,720 S	11/2007	Barez et al.	8,425,827 B2	4/2013	Lee
7,291,074 B2	11/2007	Kouno et al.	8,435,134 B2	5/2013	Tang et al.
7,291,075 B2	11/2007	Williams et al.	8,460,592 B2	6/2013	Breier et al.
7,294,064 B2	11/2007	Tsurumaki et al.	D686,679 S	7/2013	Greensmith et al.
7,306,527 B2	12/2007	Williams et al.	8,475,292 B2	7/2013	Rahrig et al.
7,311,614 B2	12/2007	Kumamoto	8,496,544 B2	7/2013	Curtis et al.
D564,611 S	3/2008	Llewellyn	8,506,421 B2	8/2013	Stites et al.
7,338,390 B2	3/2008	Lindsay	8,523,705 B2	9/2013	Breier et al.
7,344,452 B2	3/2008	Imamoto et al.	8,529,368 B2	9/2013	Rice et al.
7,371,191 B2	5/2008	Sugimoto	D692,077 S	10/2013	Greensmith et al.
7,377,860 B2	5/2008	Breier et al.	8,550,935 B2	10/2013	Stites et al.
7,390,266 B2	6/2008	Gwon	D696,366 S	12/2013	Milo et al.
7,402,113 B2	7/2008	Mori et al.	D696,367 S	12/2013	Taylor et al.
7,413,520 B1	8/2008	Hocknell et al.	D697,152 S	1/2014	Harbert et al.
7,416,496 B2	8/2008	Galloway et al.	8,622,847 B2	1/2014	Beach et al.
7,431,667 B2	10/2008	Vincent et al.	8,663,029 B2	3/2014	Beach et al.
7,435,190 B2	10/2008	Sugimoto	8,678,946 B2	3/2014	Boyd et al.
7,452,286 B2	11/2008	Lin et al.	8,715,109 B2	5/2014	Bennett et al.
7,462,109 B2	12/2008	Erickson et al.	8,747,252 B2	6/2014	Lukasiewicz, Jr. et al.
7,470,201 B2	12/2008	Nakahara et al.	8,784,232 B2	7/2014	Jertson et al.
7,476,161 B2	1/2009	Williams et al.	8,834,289 B2	9/2014	de la Cruz et al.
7,481,720 B2	1/2009	Tavares	8,834,290 B2	9/2014	Bezilla et al.
D589,103 S	3/2009	Kohno	8,834,294 B1	9/2014	Seluga et al.
7,497,789 B2	3/2009	Burnett et al.	8,894,508 B2	11/2014	Myrhum et al.
7,503,854 B2	3/2009	Galloway et al.	8,938,871 B2	1/2015	Roach et al.
7,524,249 B2	4/2009	Breier et al.	8,986,133 B2	3/2015	Bennett et al.
7,549,935 B2	6/2009	Foster et al.	9,044,653 B2	6/2015	Wahl et al.
7,607,991 B2	10/2009	Sorenson	9,205,311 B2	12/2015	Stokke
7,628,713 B2	12/2009	Tavares	9,308,423 B1	4/2016	Tang et al.
7,632,193 B2	12/2009	Thielen	9,320,949 B2	4/2016	Golden et al.
7,637,822 B2	12/2009	Foster et al.	9,393,471 B2	7/2016	Beno et al.
7,658,686 B2	2/2010	Soracco	9,421,438 B2	8/2016	Beno et al.
7,674,187 B2	3/2010	Cackett et al.	9,440,123 B2	9/2016	Beno et al.
7,674,189 B2	3/2010	Beach et al.	9,457,245 B2	10/2016	Lee
7,674,190 B2	3/2010	Galloway et al.	9,474,946 B2	10/2016	Bennett et al.
7,691,008 B2	4/2010	Oyama	9,498,688 B2	11/2016	Galvan et al.
7,731,603 B2	6/2010	Beach et al.	9,504,889 B2	11/2016	Mitzel et al.
7,749,097 B2	7/2010	Foster et al.	9,616,301 B2	4/2017	Clausen et al.
7,758,454 B2	7/2010	Burnett et al.	9,636,559 B2	5/2017	de la Cruz et al.
D622,338 S	8/2010	Kohno	9,682,299 B2	6/2017	Tang et al.
D622,795 S	8/2010	Furutate	9,776,053 B2	10/2017	Burnett et al.
7,766,765 B2	8/2010	Oyama	9,821,198 B2	11/2017	Stokke
7,771,291 B1	8/2010	Willett et al.	9,839,819 B2	12/2017	Mizutani et al.
7,785,212 B2	8/2010	Lukasiewicz, Jr. et al.	9,855,474 B2	1/2018	Beno et al.
7,803,065 B2	9/2010	Breier et al.	9,901,794 B2	2/2018	Beno et al.
7,811,178 B2	10/2010	Davis	9,908,013 B2	3/2018	Hettinger et al.
7,846,038 B2	12/2010	Foster et al.	10,004,958 B2	6/2018	Tang et al.
7,927,229 B2	4/2011	Jertson et al.	10,076,689 B2	9/2018	de la Cruz et al.
			10,076,694 B2	9/2018	Galvan et al.
			10,130,855 B2	11/2018	Stokke
			10,155,144 B2	12/2018	Lee
			10,213,663 B2	2/2019	Goudarzi et al.

(56)

References Cited

U.S. PATENT DOCUMENTS

10,245,481 B1 4/2019 Cleghorn
 10,286,265 B2 5/2019 Tsunashima et al.
 2002/0183130 A1 12/2002 Pacinella
 2002/0183134 A1 12/2002 Allen et al.
 2003/0083151 A1 5/2003 Nakahara et al.
 2003/0114239 A1 6/2003 Mase
 2003/0220154 A1 11/2003 Anelli
 2004/0097299 A1 5/2004 Soracco
 2004/0138002 A1* 7/2004 Murray A63B 53/0466
 473/335
 2004/0157678 A1 8/2004 Kohno
 2004/0162156 A1 8/2004 Kohno
 2004/0192463 A1 9/2004 Tsurumaki et al.
 2005/0009622 A1 1/2005 Antonious
 2005/0059508 A1 3/2005 Burnett et al.
 2006/0009305 A1 1/2006 Lindsay
 2006/0094535 A1 5/2006 Cameron
 2006/0100028 A1 5/2006 Kuo
 2006/0116218 A1 6/2006 Burnett et al.
 2006/0258481 A1 11/2006 Oyama
 2006/0281581 A1 12/2006 Yamamoto
 2007/0054751 A1* 3/2007 Breier A63B 60/00
 473/345
 2007/0105657 A1 5/2007 Hirano
 2007/0275792 A1 11/2007 Horacek et al.
 2008/0039234 A1 2/2008 Williams et al.
 2008/0132356 A1 6/2008 Chao et al.
 2008/0146374 A1 6/2008 Beach et al.
 2008/0171610 A1 7/2008 Shin
 2008/0188320 A1 8/2008 Kamatari
 2009/0069114 A1 3/2009 Foster et al.
 2009/0124411 A1 5/2009 Rae et al.
 2009/0137338 A1 5/2009 Kajita
 2009/0149275 A1 6/2009 Rae et al.
 2009/0149276 A1* 6/2009 Golden A63B 60/00
 473/349
 2009/0170632 A1 7/2009 Beach et al.
 2009/0191980 A1 7/2009 Greaney et al.
 2009/0286611 A1 11/2009 Beach et al.
 2010/0016095 A1 1/2010 Burnett et al.
 2011/0014992 A1 1/2011 Morrissey
 2012/0071267 A1 3/2012 Burnett et al.
 2012/0071268 A1 3/2012 Albertsen et al.
 2012/0172146 A1 7/2012 Greaney et al.
 2012/0316007 A1 12/2012 Burnett et al.
 2013/0123040 A1 5/2013 Willett et al.
 2014/0256461 A1 9/2014 Beach et al.
 2017/0312591 A1 11/2017 Saso
 2017/0319917 A1 11/2017 Henrikson et al.
 2018/0361216 A1 12/2018 Galvan et al.
 2019/0070469 A1 3/2019 Lee

JP 2004261451 9/2004
 JP 2004265992 9/2004
 JP 2004271516 9/2004
 JP 2004313762 11/2004
 JP 2004351054 12/2004
 JP 2004351173 12/2004
 JP 2005073736 3/2005
 JP 2005111172 4/2005
 JP 2005137494 6/2005
 JP 2005137788 6/2005
 JP 2005137940 6/2005
 JP 4138378 7/2005
 JP 3719924 11/2005
 JP 2006006975 1/2006
 JP 3744814 2/2006
 JP 3762906 4/2006
 JP 3762906 B2 4/2006
 JP 4500296 10/2006
 JP 3895571 3/2007
 JP 2007136068 A 6/2007
 JP 3953299 8/2007
 JP 3963999 B2 8/2007
 JP 2007229002 A 9/2007
 JP 2007275552 A 10/2007
 JP 4033035 B2 1/2008
 JP 4047682 B2 2/2008
 JP 4052113 2/2008
 JP 4054316 2/2008
 JP 4097666 6/2008
 JP 4212616 1/2009
 JP 2009000292 A 1/2009
 JP 4222118 B2 2/2009
 JP 4222119 B2 2/2009
 JP 4241779 3/2009
 JP 4287769 7/2009
 JP 4291834 7/2009
 JP 4299844 7/2009
 JP 4355245 8/2009
 JP 4326559 9/2009
 JP 4326562 9/2009
 JP 4365676 11/2009
 JP 4365871 11/2009
 JP 4398880 1/2010
 JP 4403084 1/2010
 JP 4410594 1/2010
 JP 4410606 2/2010
 JP 4441462 3/2010
 JP 4451797 4/2010
 JP 4528281 8/2010
 JP 4563062 10/2010
 JP 5467717 12/2010
 JP 3165282 1/2011
 JP 4632342 2/2011
 JP 4634828 2/2011
 JP 5223844 5/2011
 JP 4741388 8/2011
 JP 4758177 8/2011
 JP 4758178 8/2011
 JP 4783579 9/2011
 JP 4786889 10/2011
 JP 5542147 4/2012
 JP 4944830 6/2012
 JP 5601669 6/2012
 JP 4993471 8/2012
 JP 4993481 8/2012
 JP 5007332 8/2012
 JP 5037445 9/2012
 JP 5037446 9/2012
 JP 5075143 11/2012
 JP 5086884 11/2012
 JP 5102084 12/2012
 JP 5106503 12/2012
 JP 5107404 12/2012
 JP 5583717 2/2013
 JP 5174129 4/2013
 JP 5181052 4/2013
 JP 5185992 4/2013
 JP 5238628 7/2013
 JP 5249257 7/2013

FOREIGN PATENT DOCUMENTS

JP 07112041 5/1995
 JP H10225538 8/1998
 JP H10263118 10/1998
 JP H11114102 4/1999
 JP H11155982 6/1999
 JP 4703085 5/2000
 JP 2000202075 A 7/2000
 JP 3070587 U 8/2000
 JP 2000245876 A 9/2000
 JP 2001212272 A 8/2001
 JP 2002119627 A 8/2001
 JP 2002-052099 2/2002
 JP 2002136625 5/2002
 JP 2003135632 5/2003
 JP 2003199848 7/2003
 JP 2003210621 7/2003
 JP 2003524487 8/2003
 JP 2003320061 11/2003
 JP 2004174224 6/2004
 JP 2004232397 8/2004

(56)

References Cited

OTHER PUBLICATIONS

FOREIGN PATENT DOCUMENTS

JP	5264899	8/2013
JP	5280914	9/2013
JP	5280975	9/2013
JP	5324992	10/2013
JP	5341993	11/2013
JP	5342393	11/2013
JP	5349006	11/2013
JP	5359782	12/2013
JP	5374108	12/2013
JP	5377299	12/2013
JP	5952655	1/2014
JP	5152431	2/2014
JP	5421147	2/2014
JP	5427598	2/2014
JP	5451187	3/2014
JP	5601726	10/2014
JP	5637864	12/2014
JP	5671507	2/2015
JP	5690766	3/2015
JP	5785893	9/2015
JP	5785895	9/2015
JP	5795919	10/2015
JP	5823121	11/2015
JP	5823122	11/2015
JP	5886595	3/2016
JP	5886652	3/2016
JP	5996573	9/2016
JP	6002713	10/2016
JP	6011044	10/2016
JP	6074924	2/2017
JP	6082366	2/2017
JP	6476226	2/2019
WO	2005009543	2/2005

“Invalidity Search Report for Japanese Registered Patent No. 4128970,” 4pg. (dated Nov. 29, 2013.).

International Searching Authority (USPTO), International Search Report and Written Opinion for International Application No. PCT/US 09/49742, dated Aug. 27, 2009, 11 pages.

Excerpts from Golf Digest; magazine; Feb. 2004; Article entitled: “The Hot List”, cover page from magazine and article on pp. 82-88.

Excerpts from Golf Digest; magazine; Feb. 2005; Article entitled: “The Hot List”, cover page from magazine and article on pp. 119-130. (Part 1).

Excerpts from Golf Digest; magazine; Feb. 2005; Article entitled: “The Hot List”, article on pp. 131-143. (Part 2).

Excerpts from Golf Digest; magazine; Feb. 2006; Article entitled: “The Hot List”, cover page from magazine and article on pp. 122-132. (Part 1).

Excerpts from Golf Digest; magazine; Feb. 2006; Article entitled: “The Hot List”, article on pp. 133-143. (Part 2).

Excerpts from Golf Digest; magazine; Feb. 2007; Article entitled: “The Hot List”, cover page from magazine and article on pp. 130-151.

Excerpts from Golf Digest; magazine; Feb. 2008; Article entitled: “The Hot List”, cover page from magazine and article on pp. 114-139.

Excerpts from Golf Digest; magazine; Feb. 2009; Article entitled: “The Hot List”, cover page from magazine and article on pp. 101-127.

International Searching Authority (USPTO), International Search Report and Written Opinion for International Application No. PCT/US2009/049418, dated Aug. 26, 2009, 10 pages.

Declaration, authored by Willett, dated Nov. 30, 2012, 6 pages.

* cited by examiner

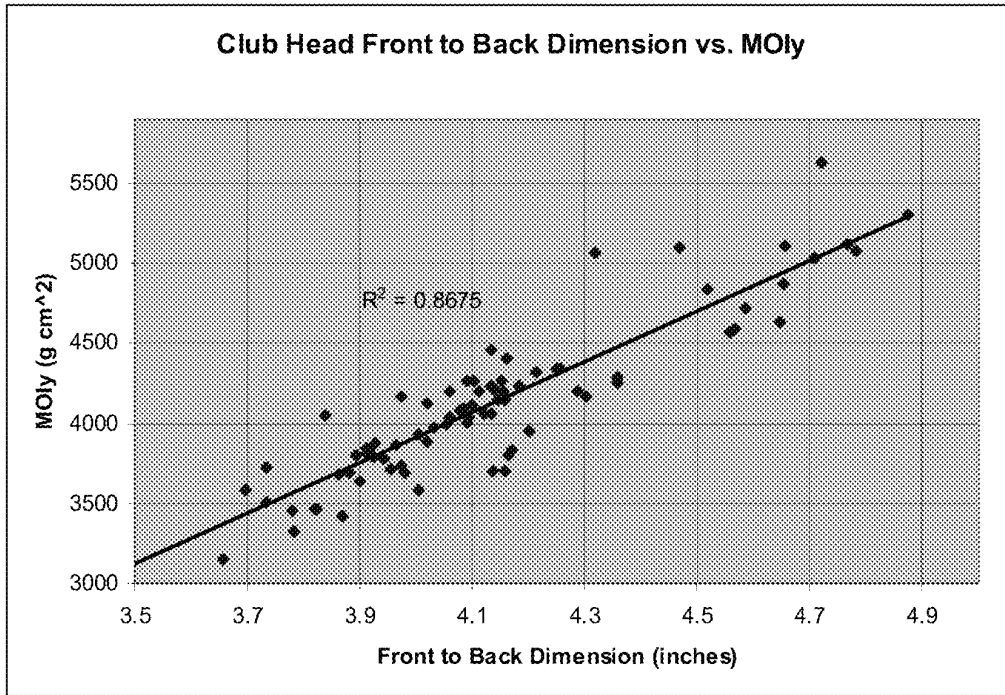


Fig. 1

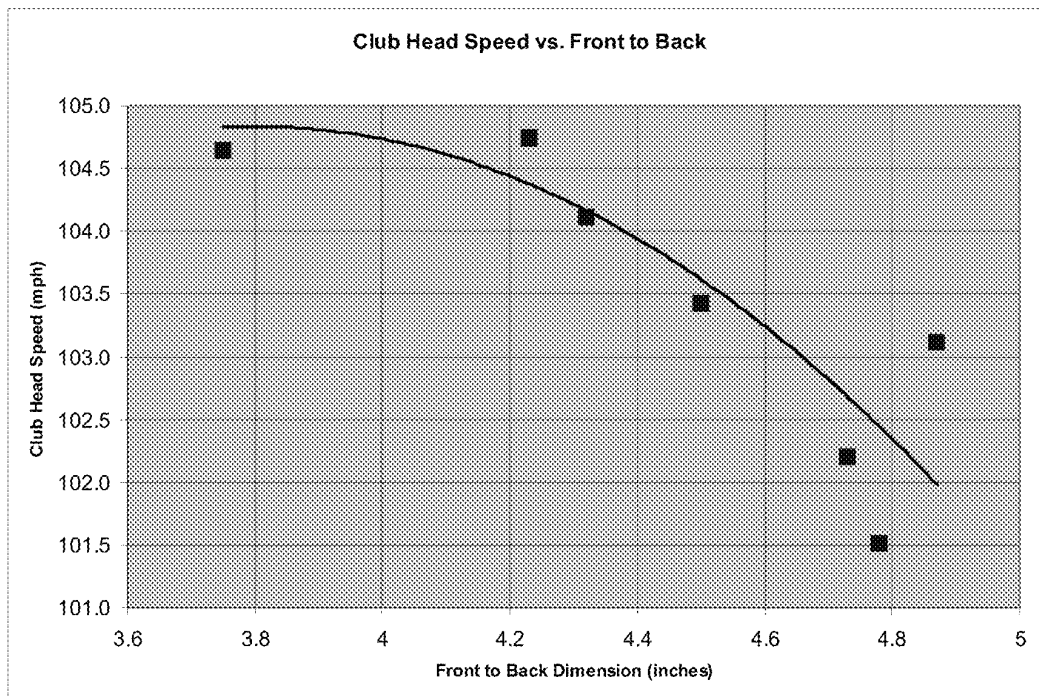


Fig. 2

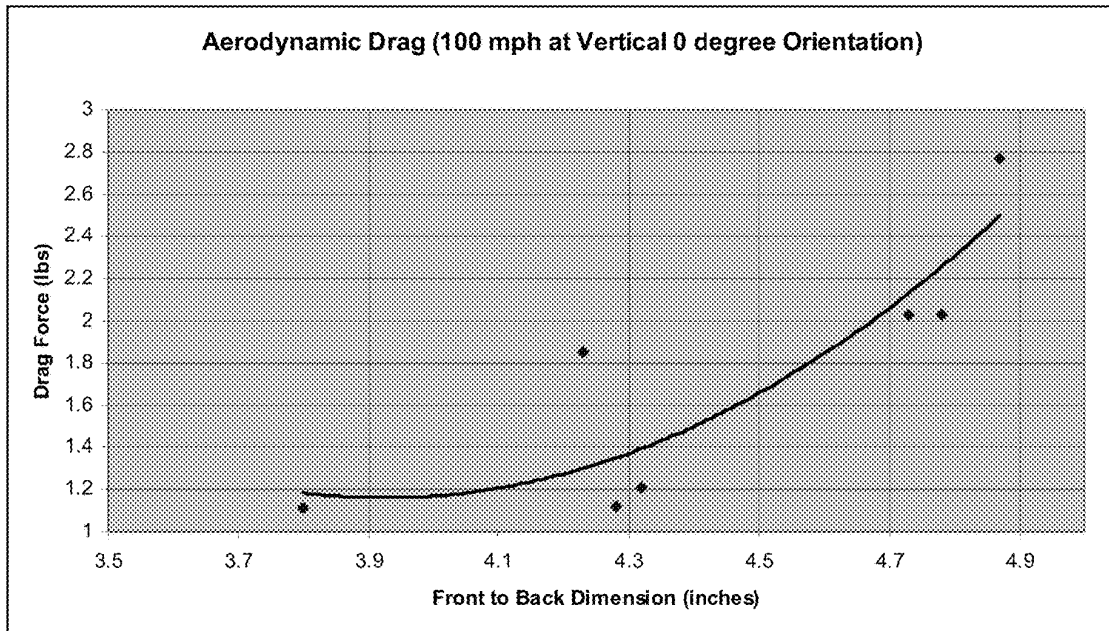


Fig. 3

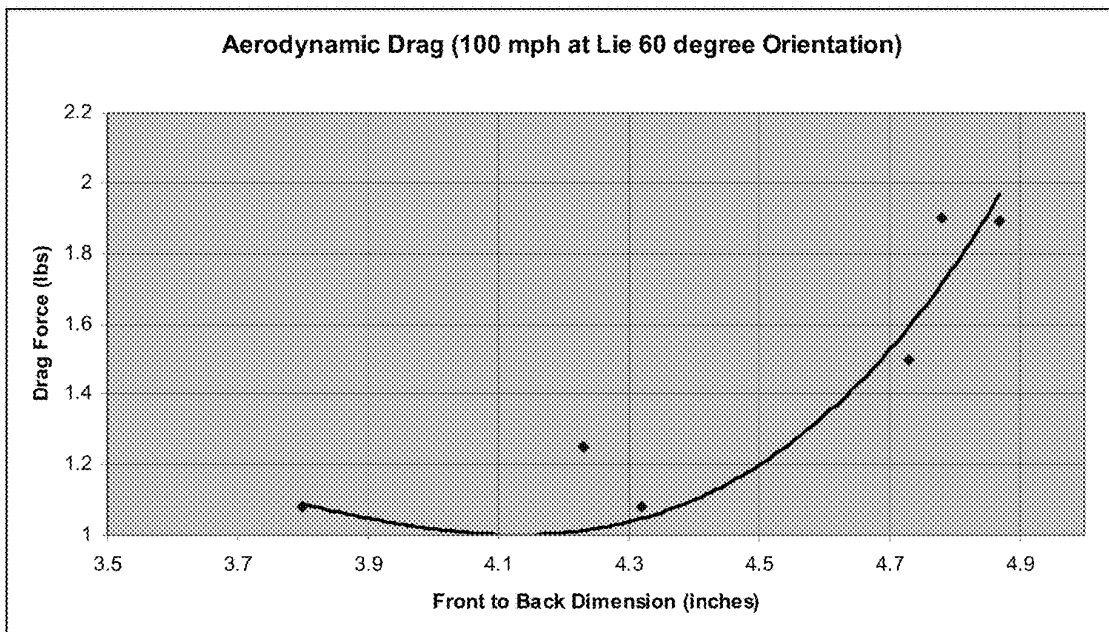


Fig. 4

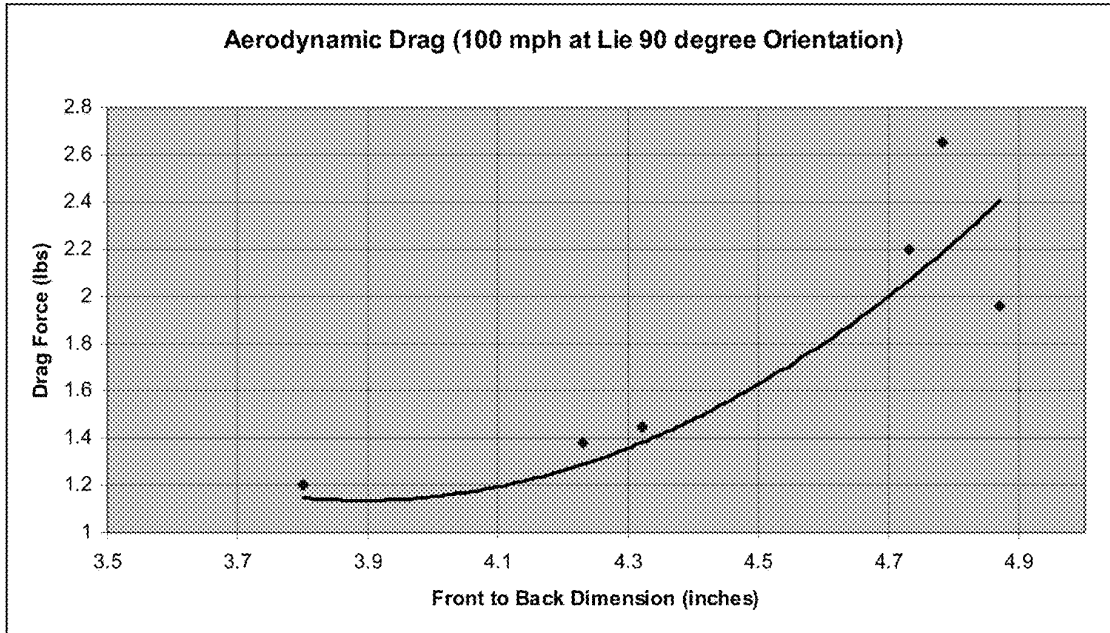


Fig. 5

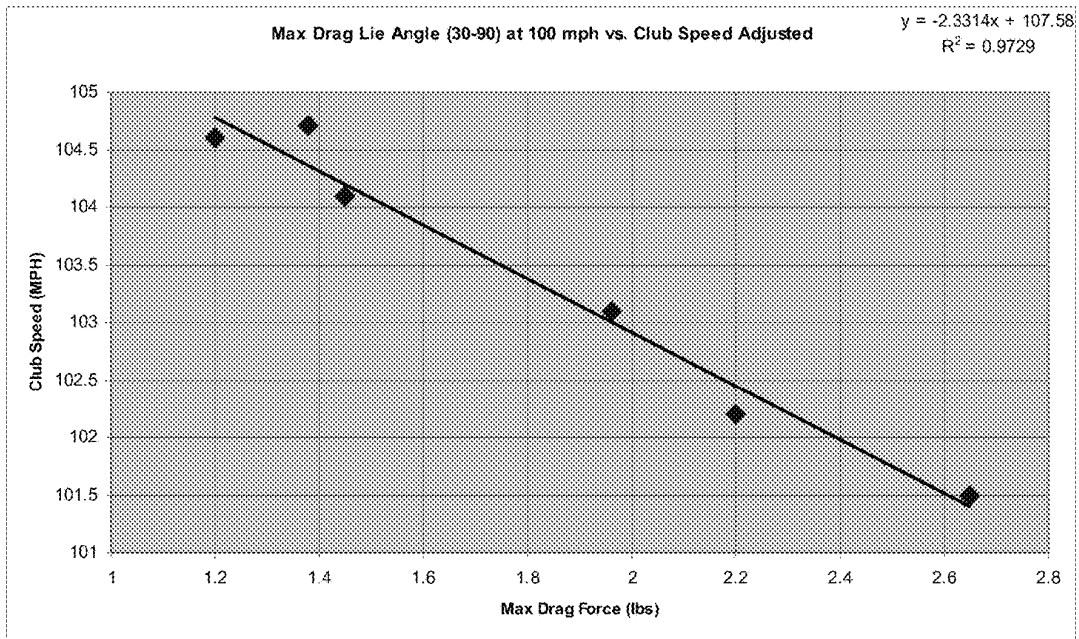


Fig. 6

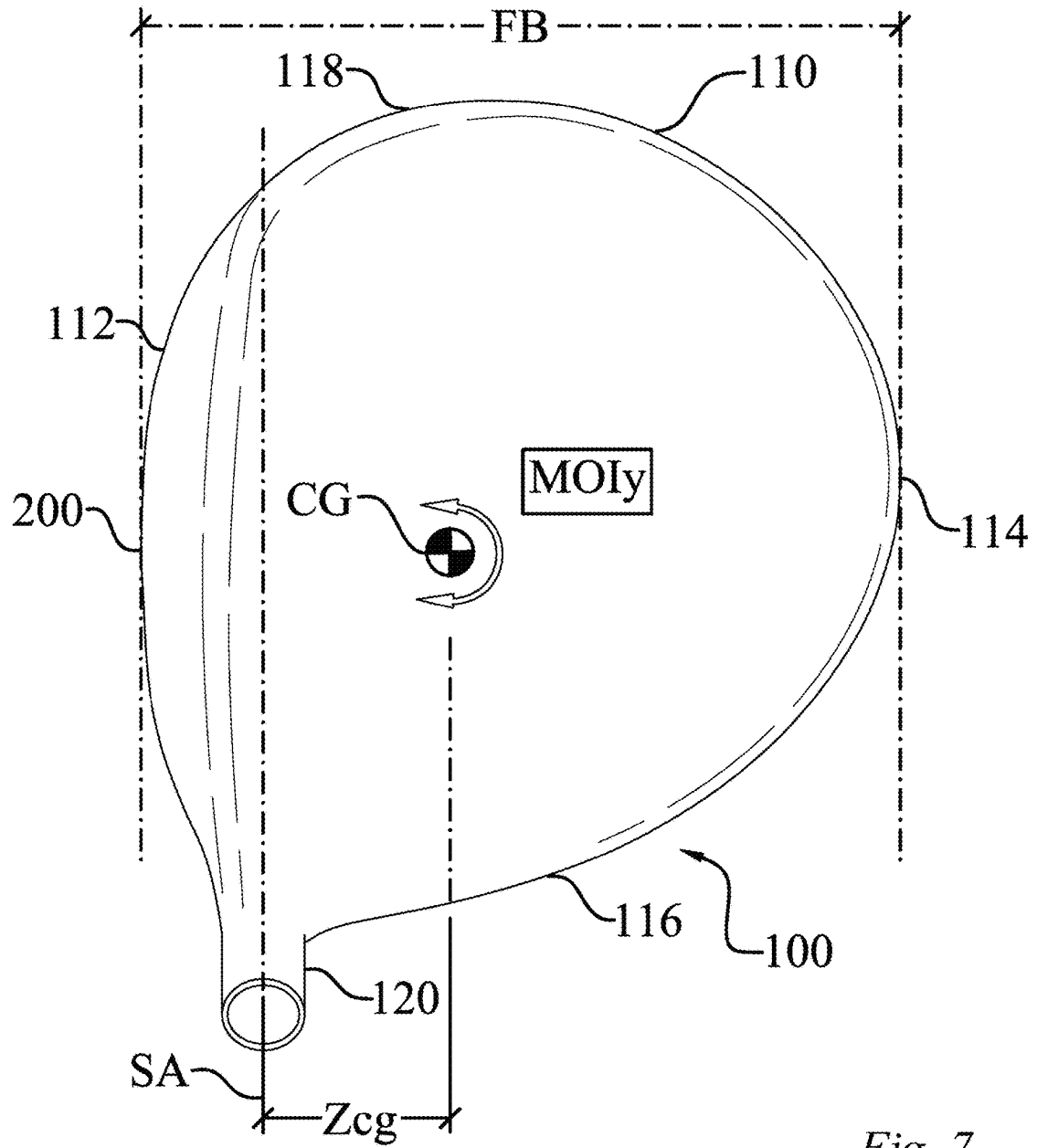


Fig. 7

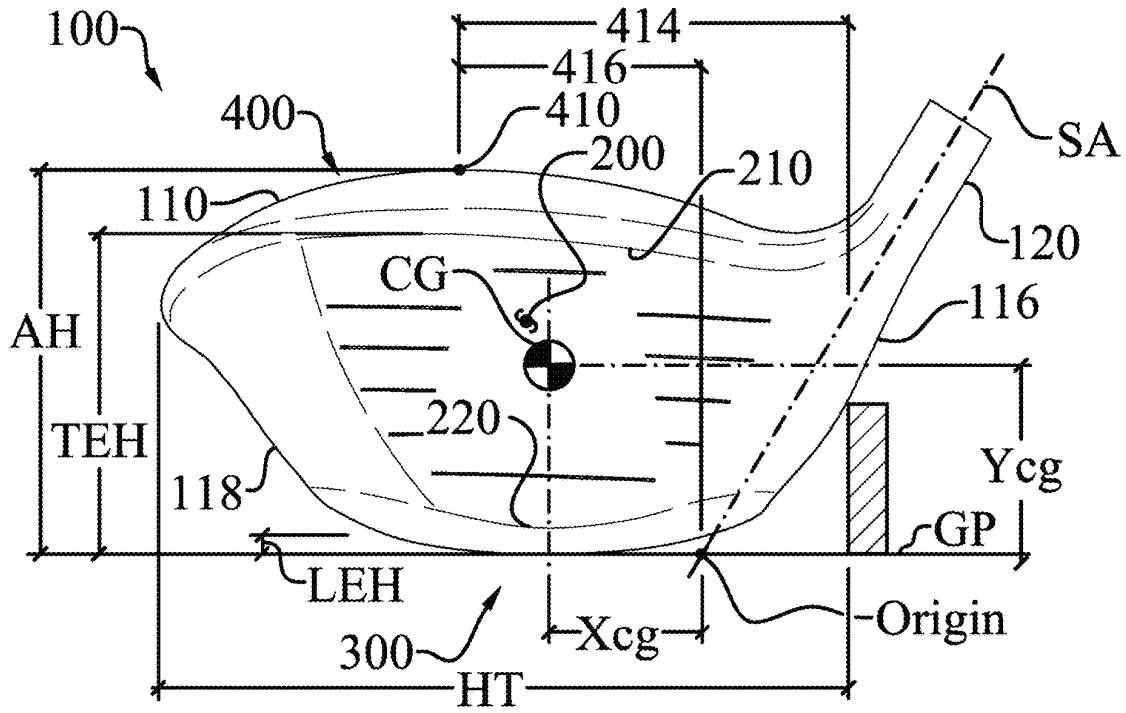


Fig. 8

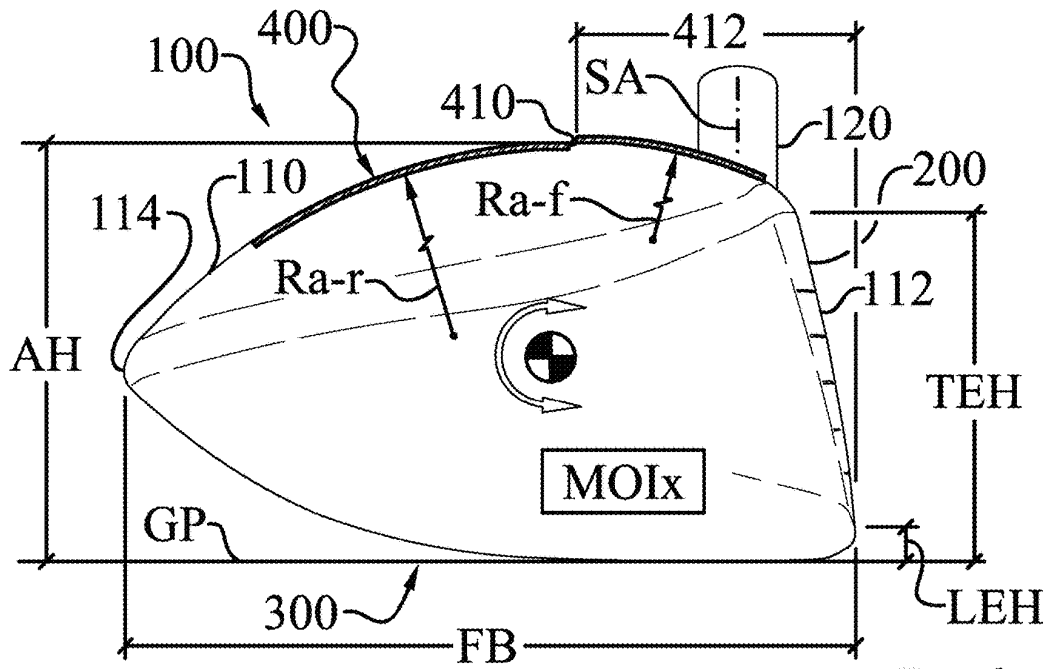


Fig. 9

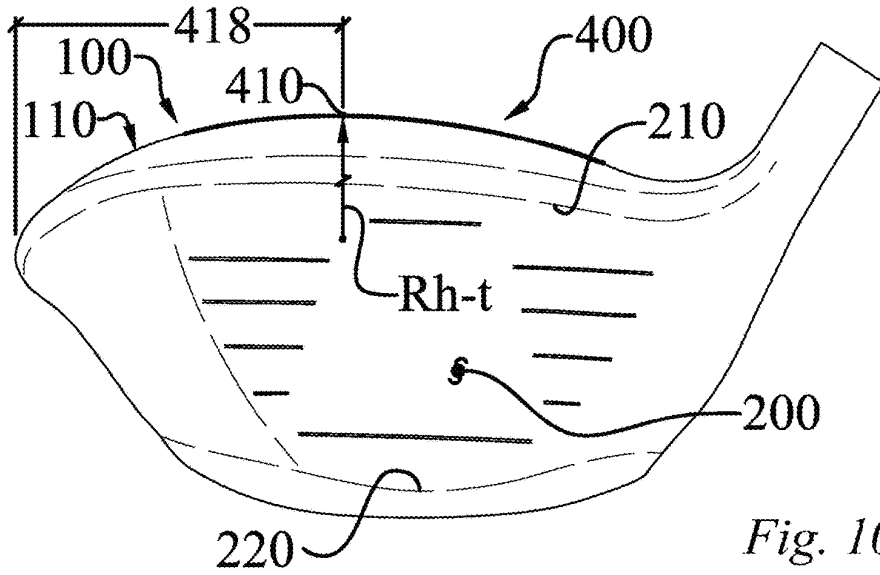


Fig. 10

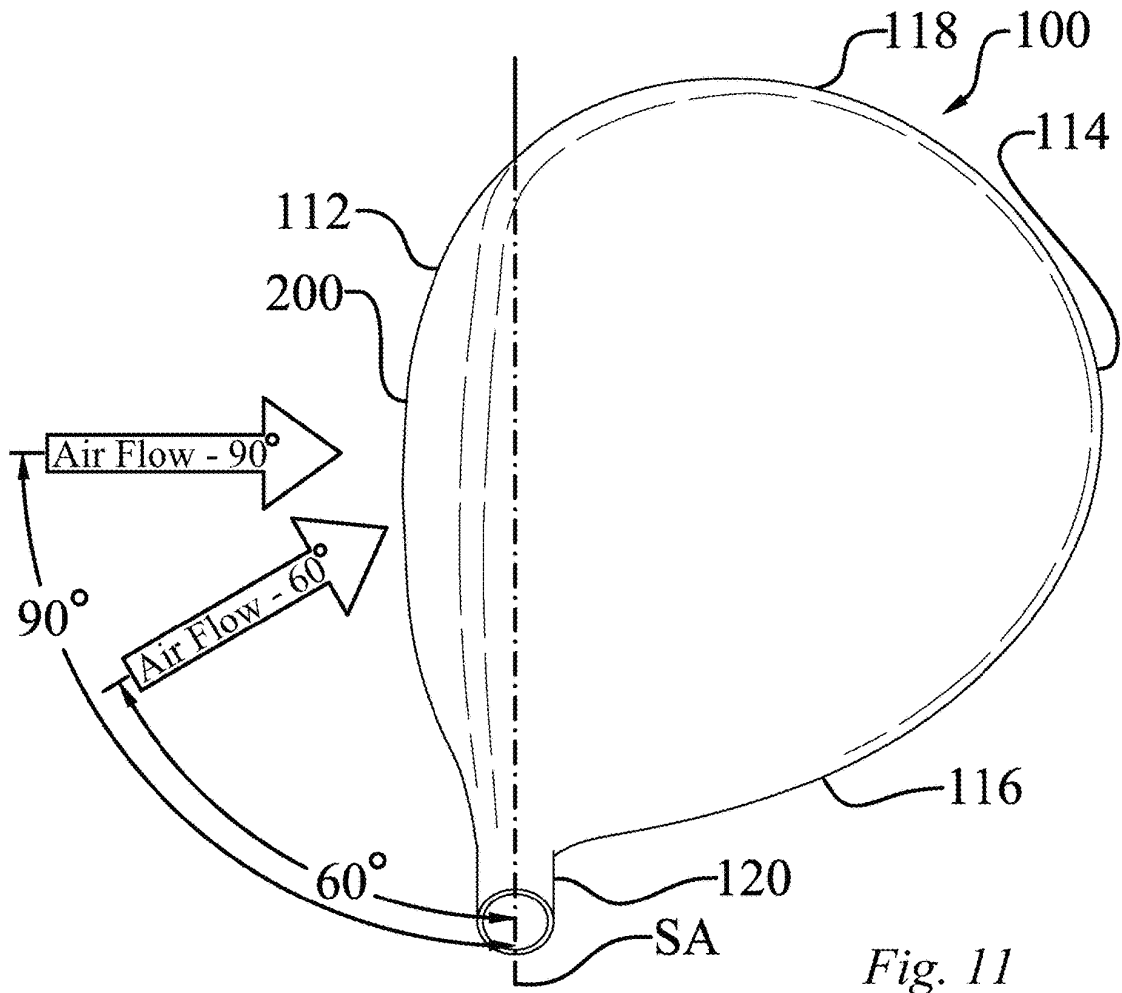


Fig. 11

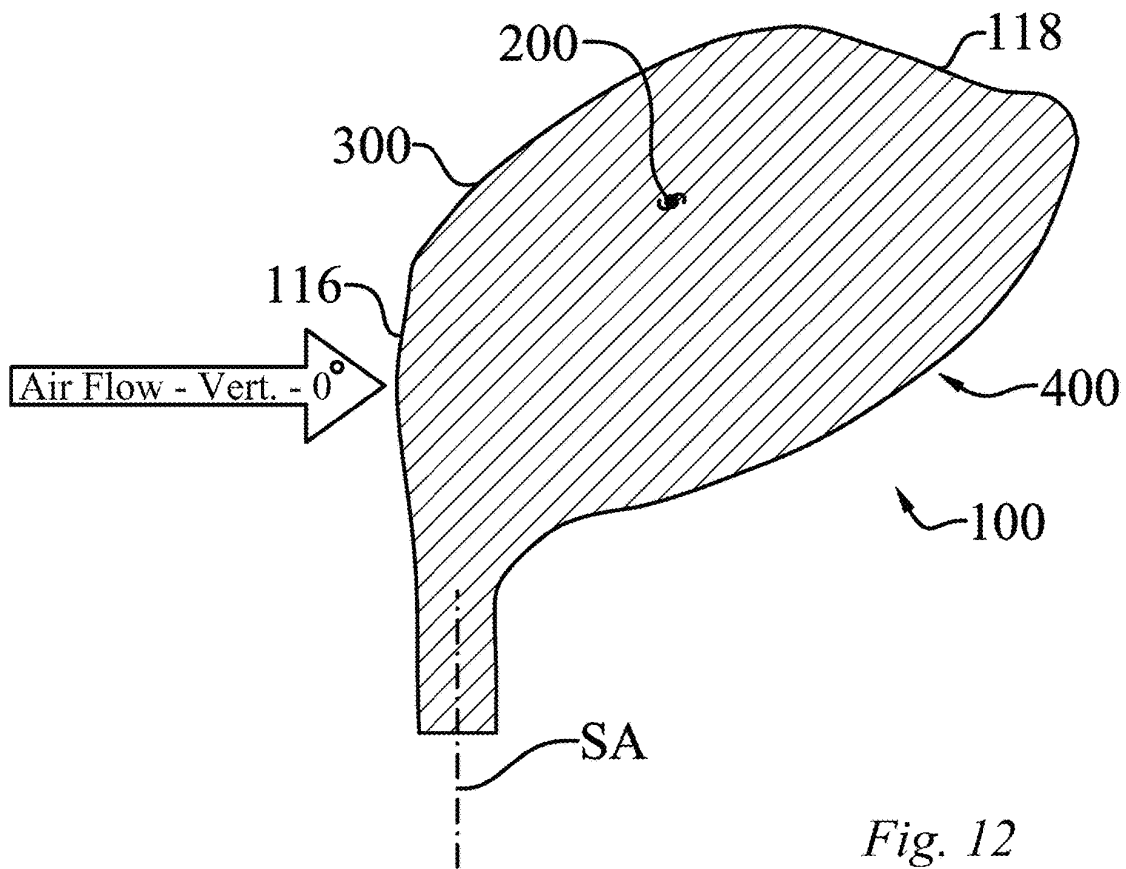


Fig. 12

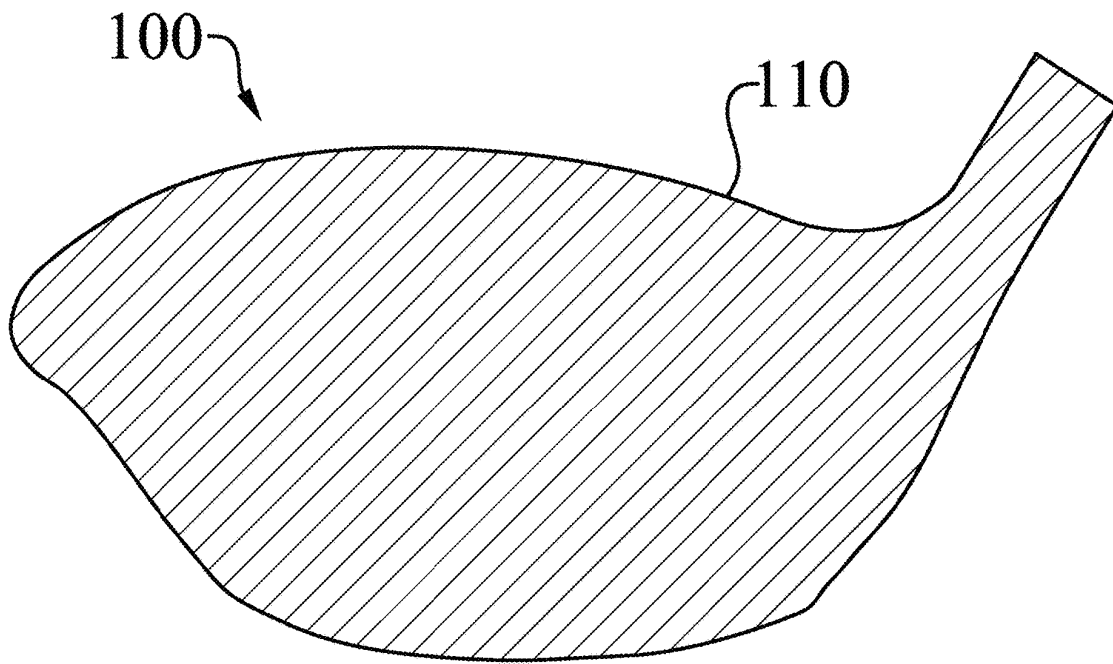


Fig. 13

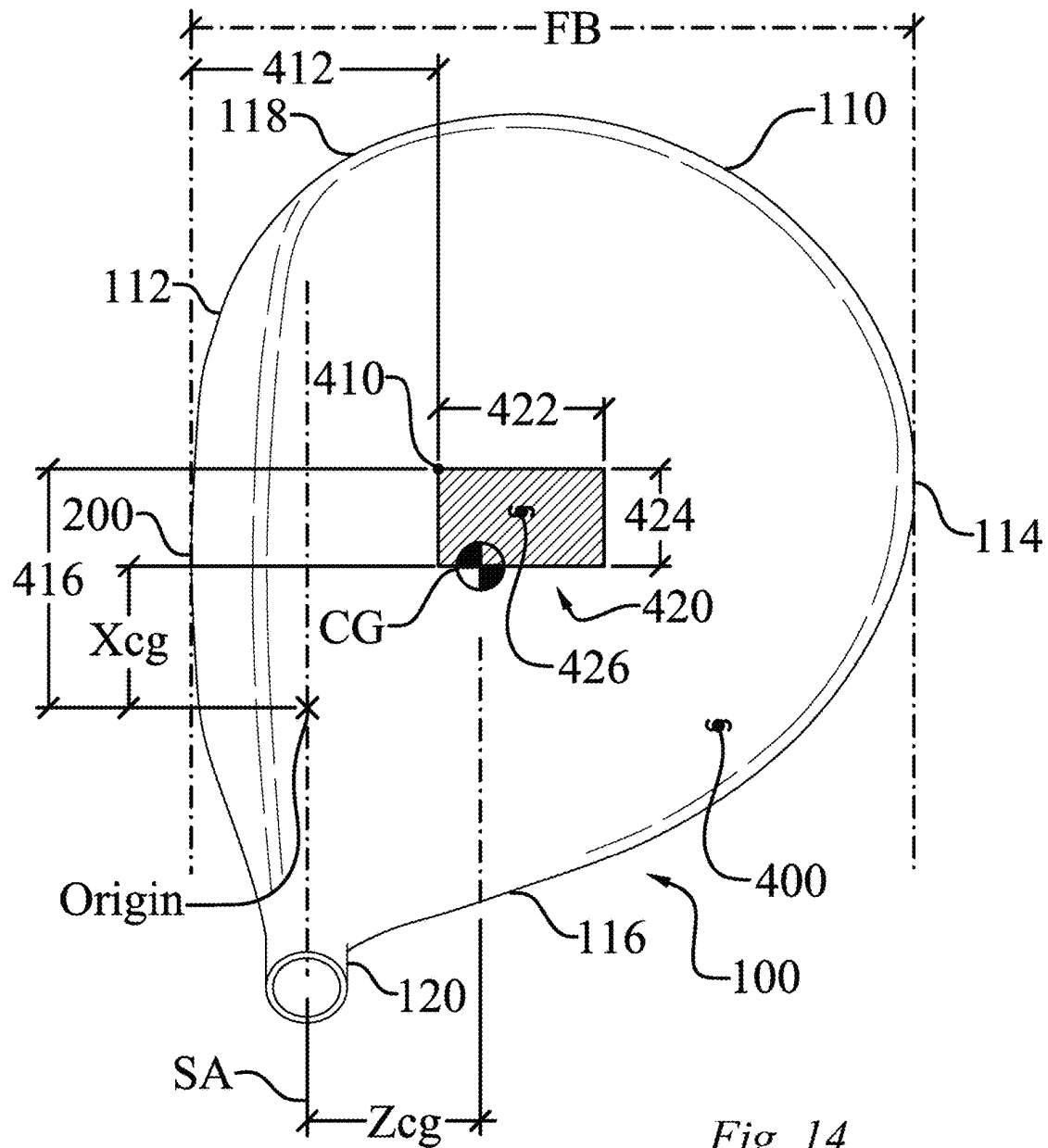


Fig. 14

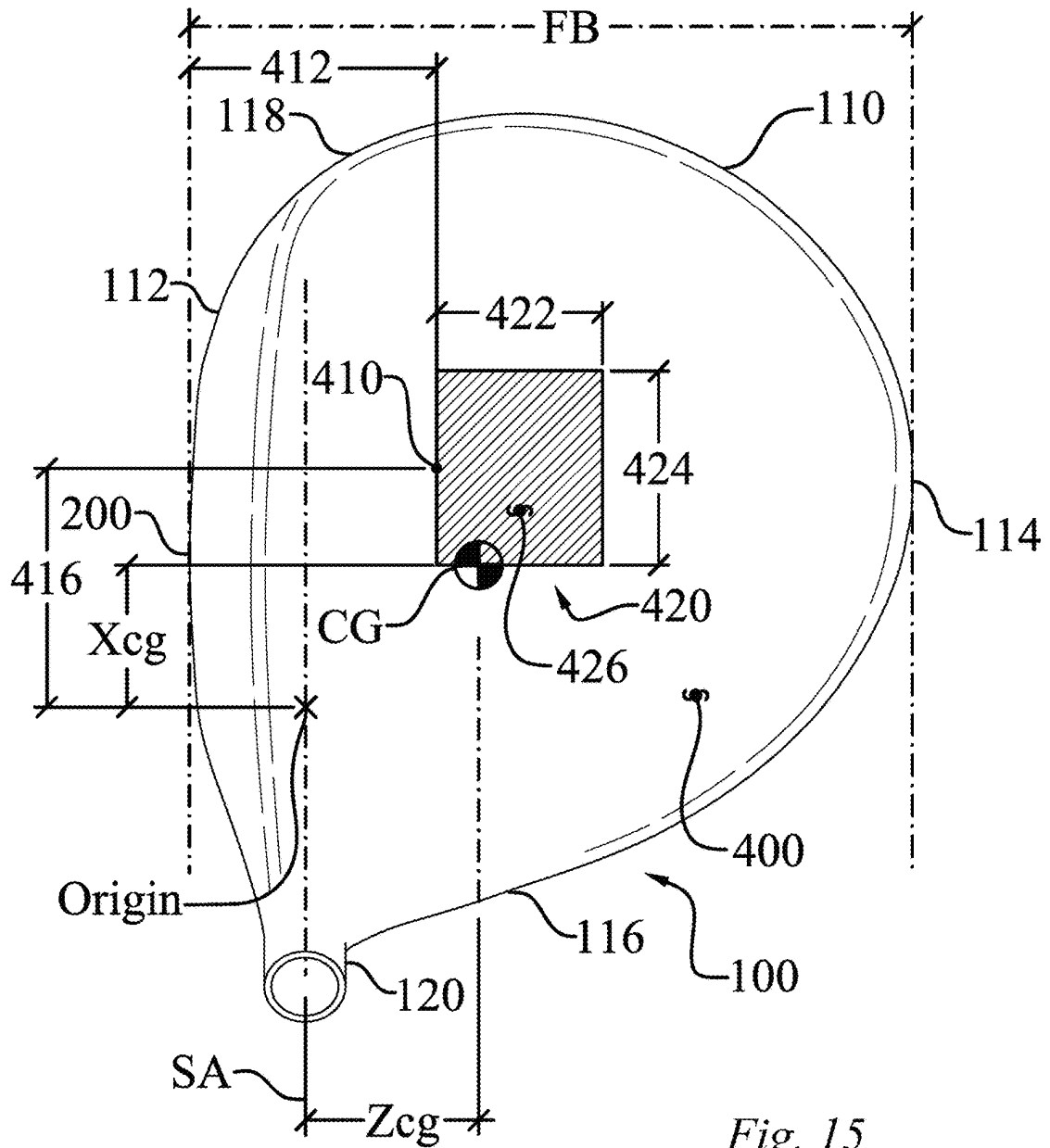


Fig. 15

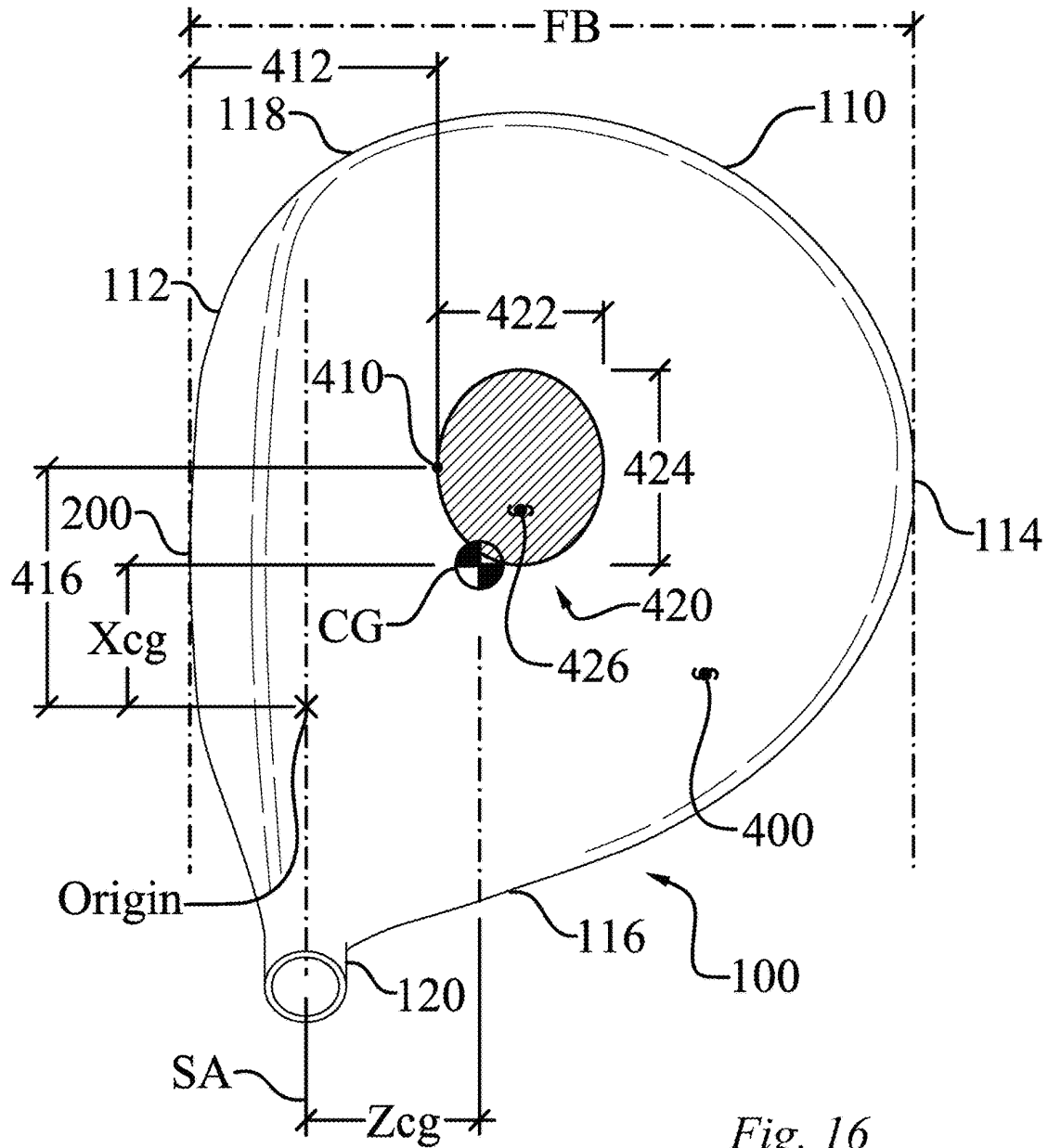


Fig. 16

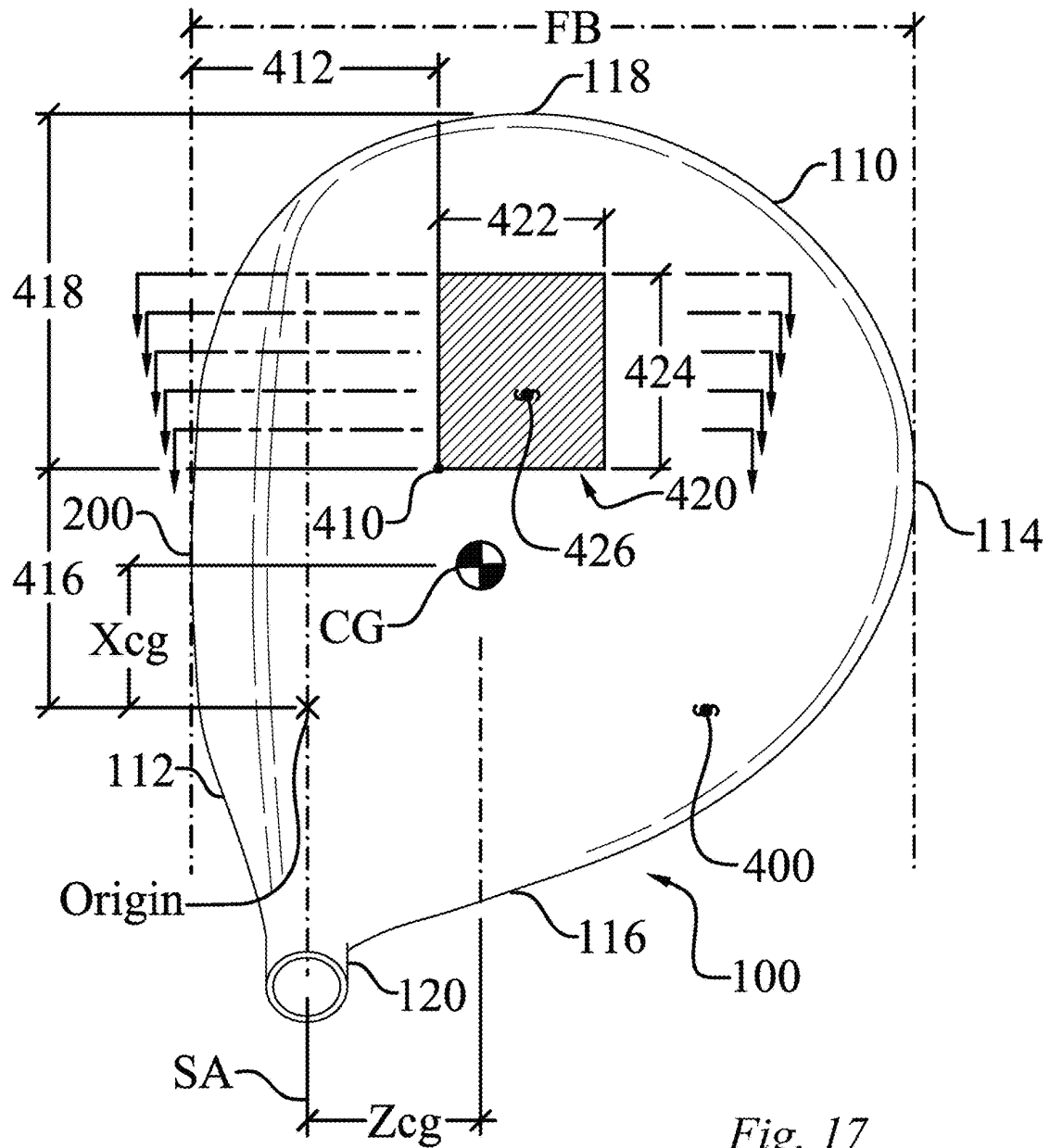


Fig. 17

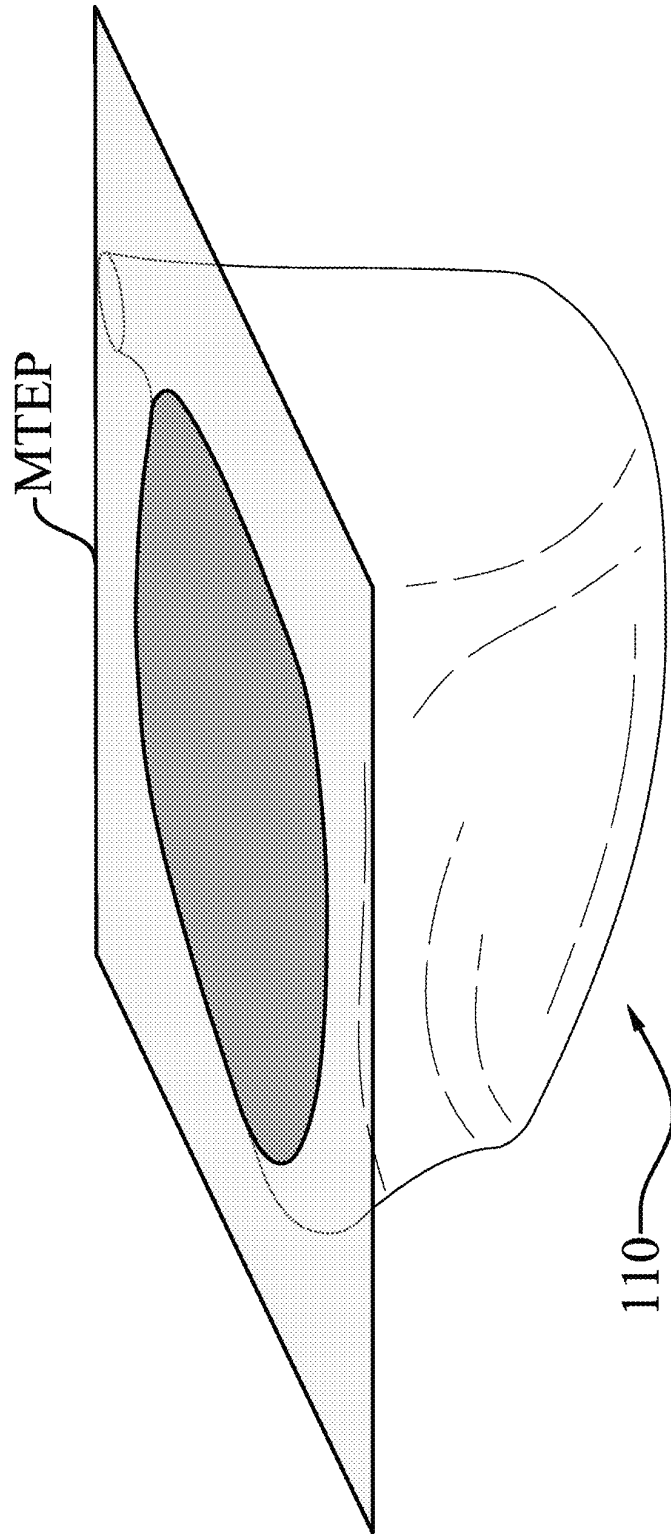


Fig. 18

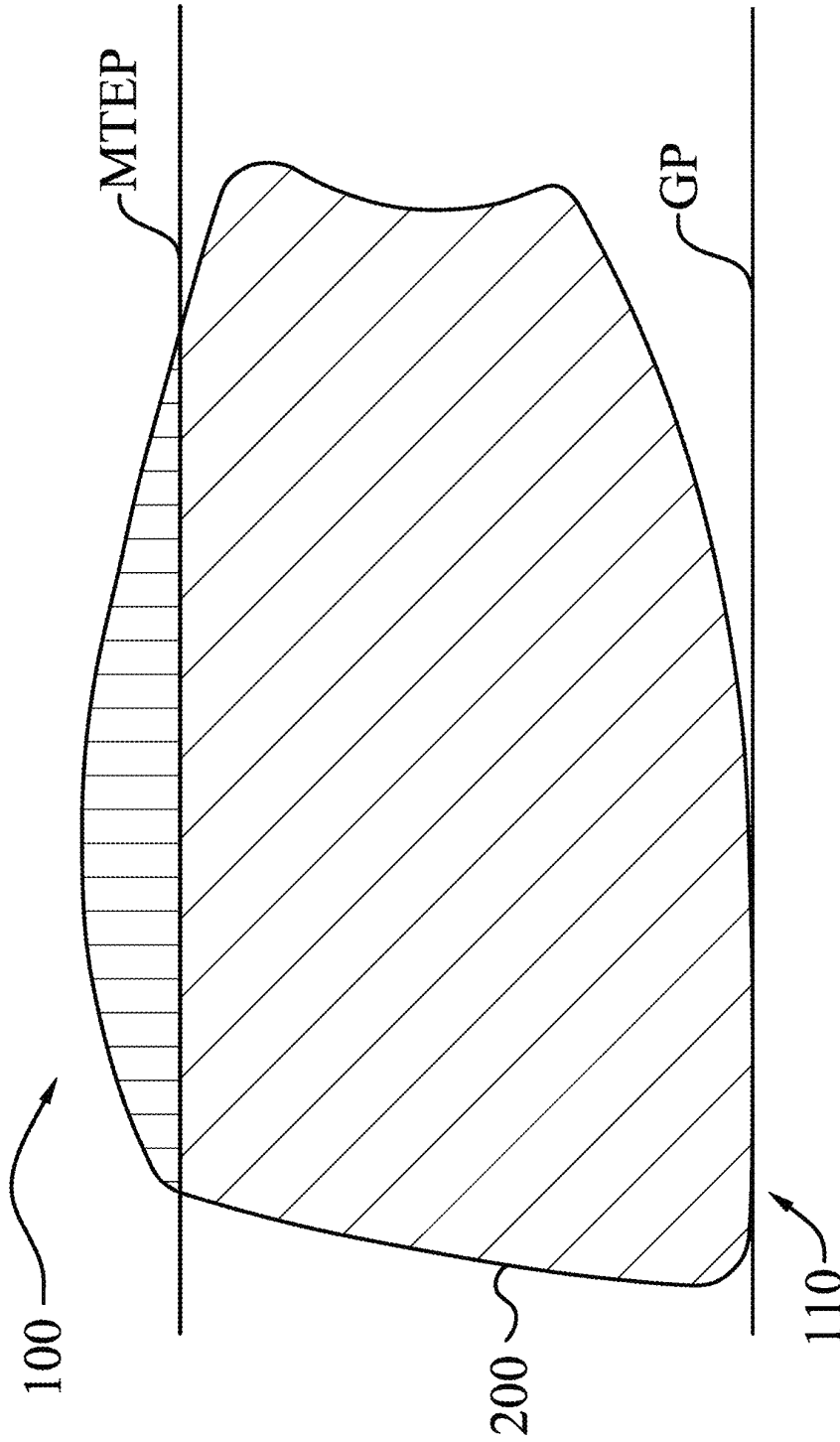


Fig. 19

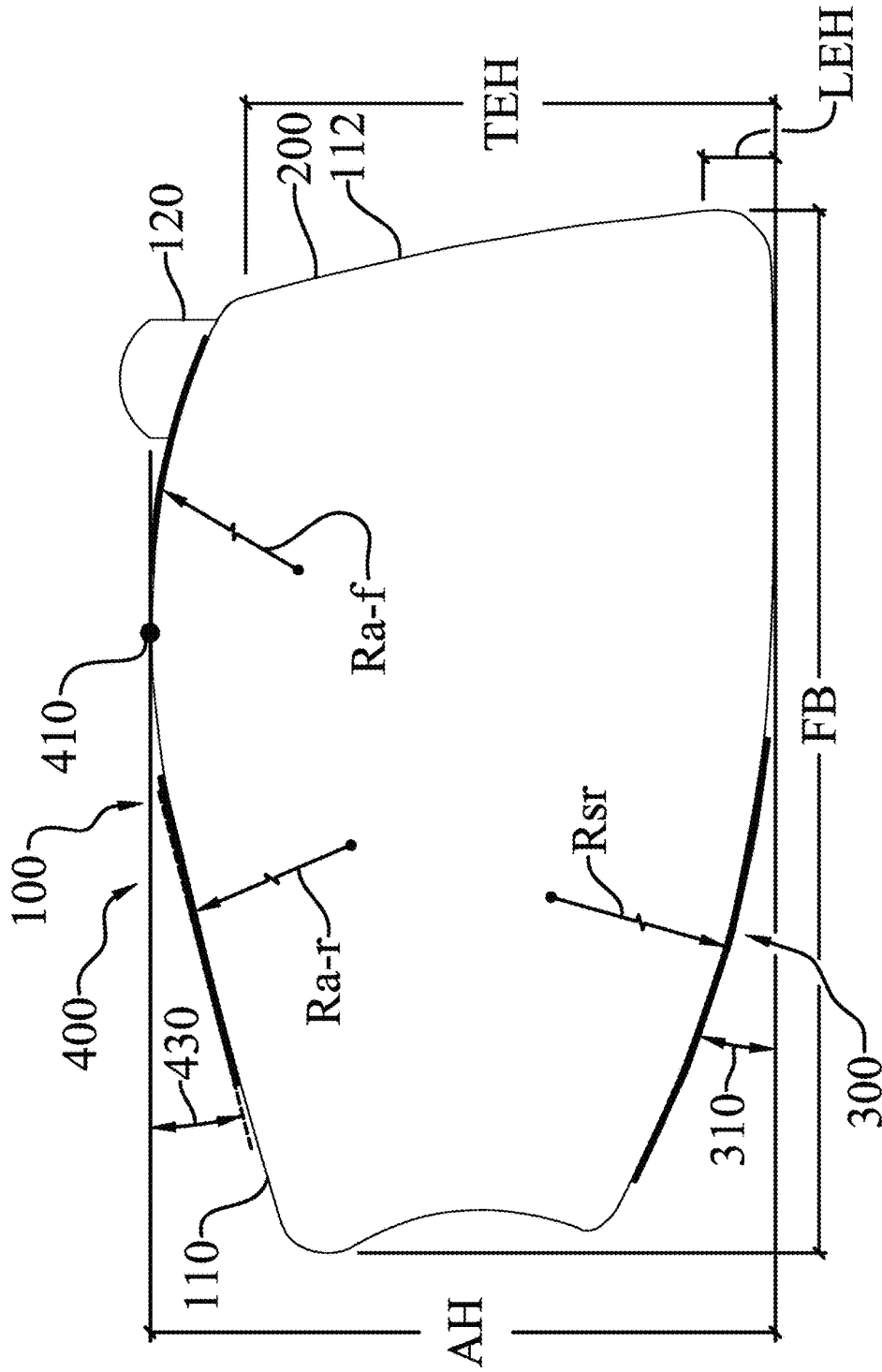


Fig. 20

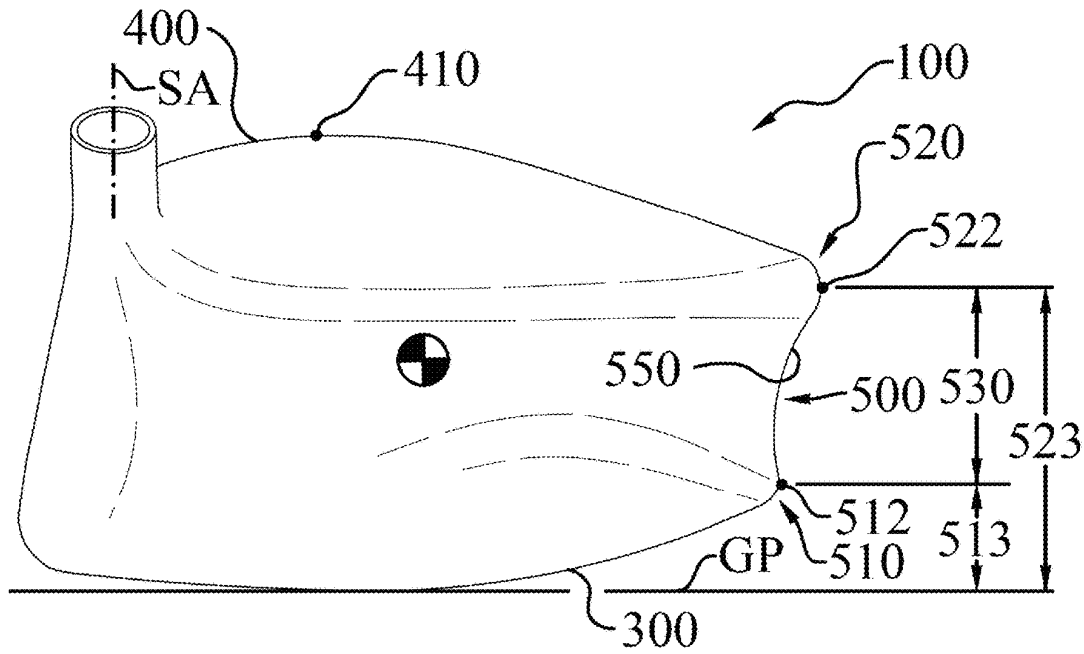


Fig. 21

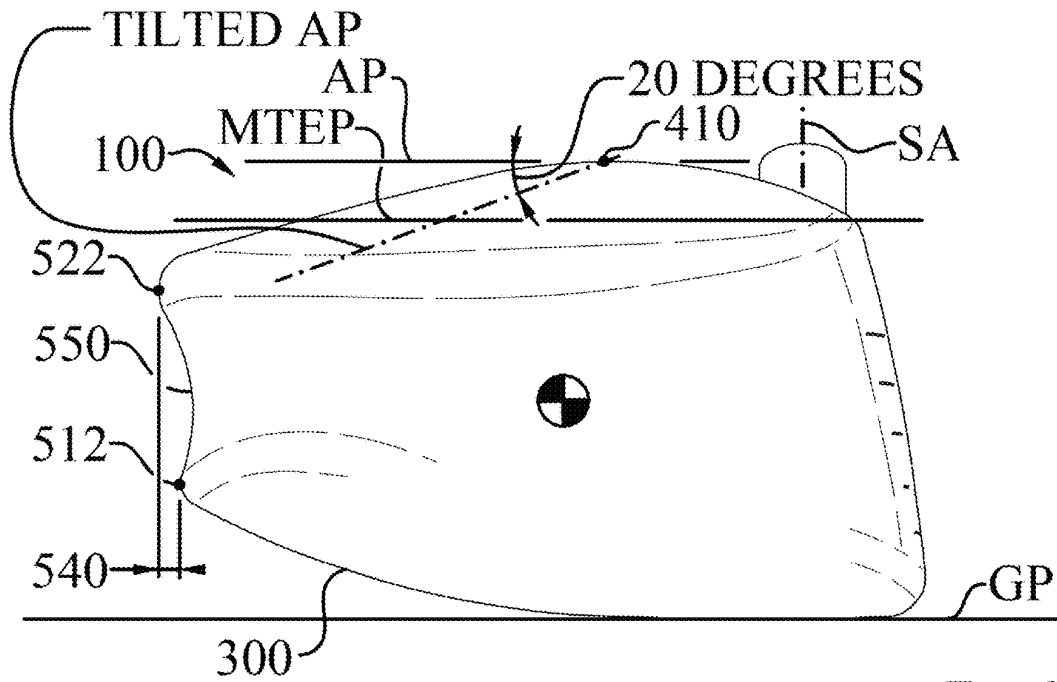


Fig. 22

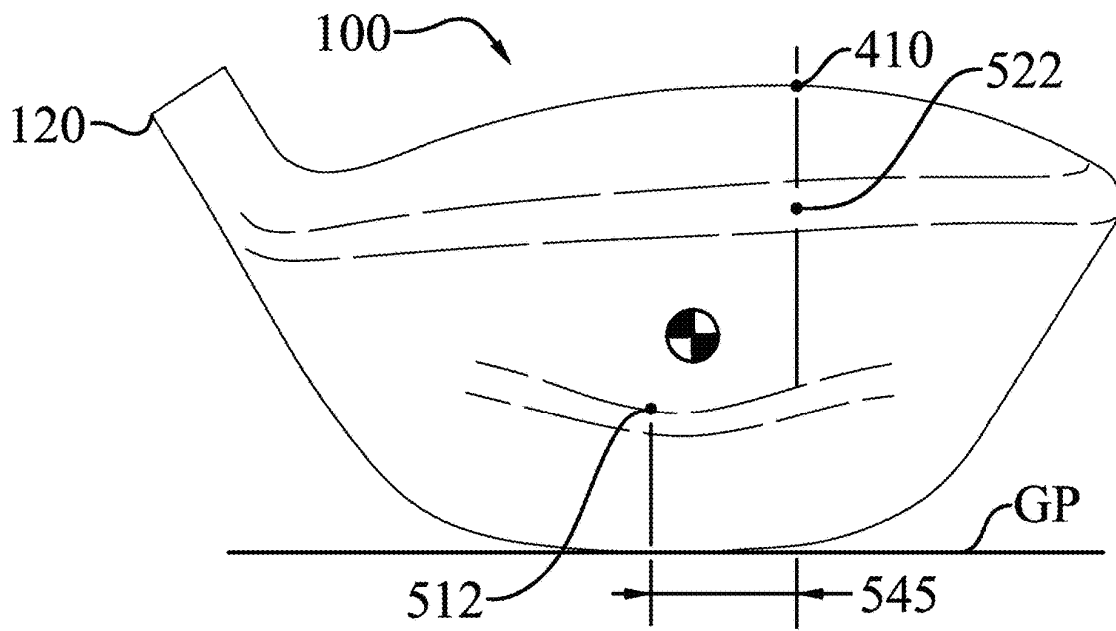


Fig. 23

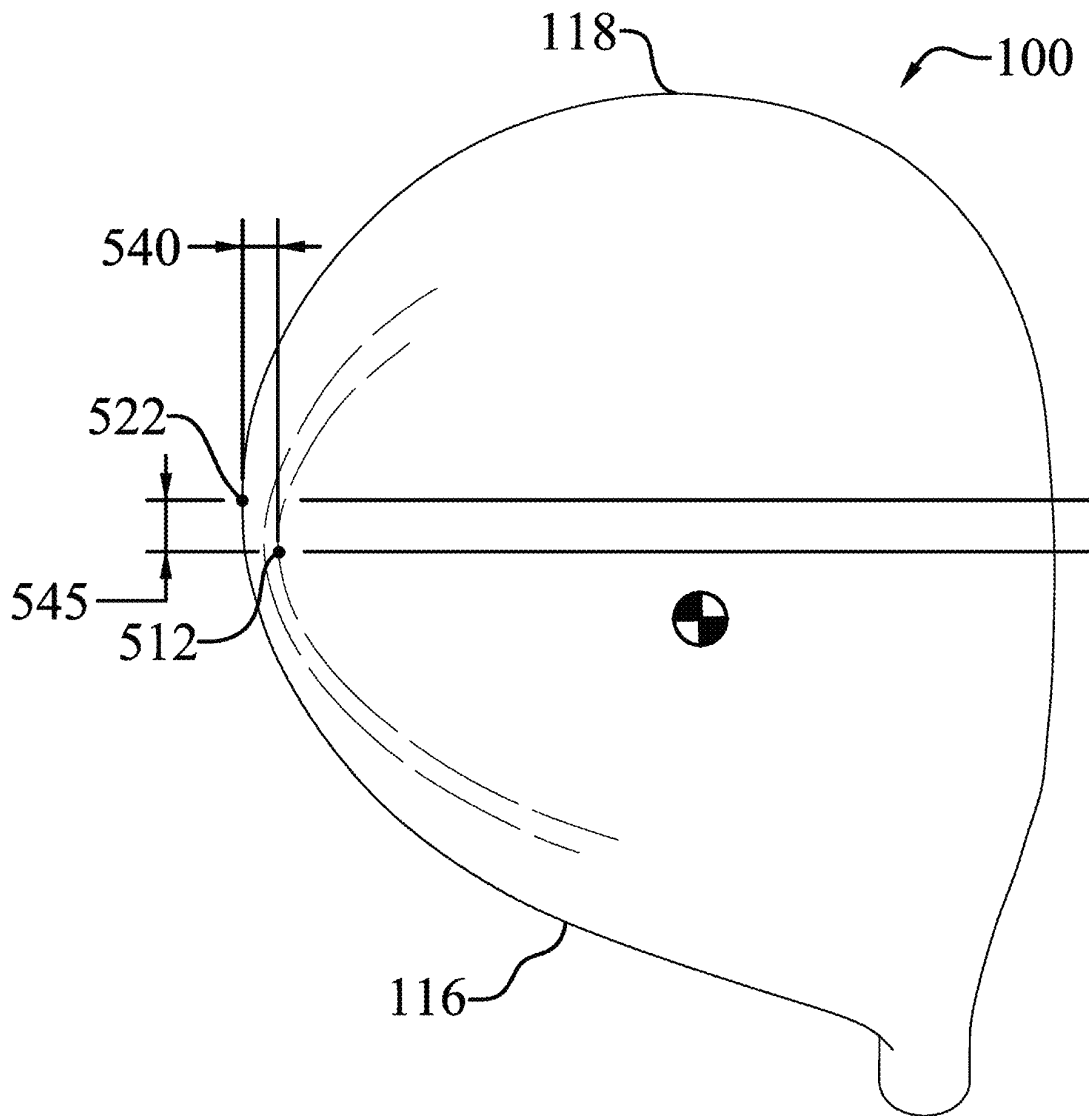


Fig. 24

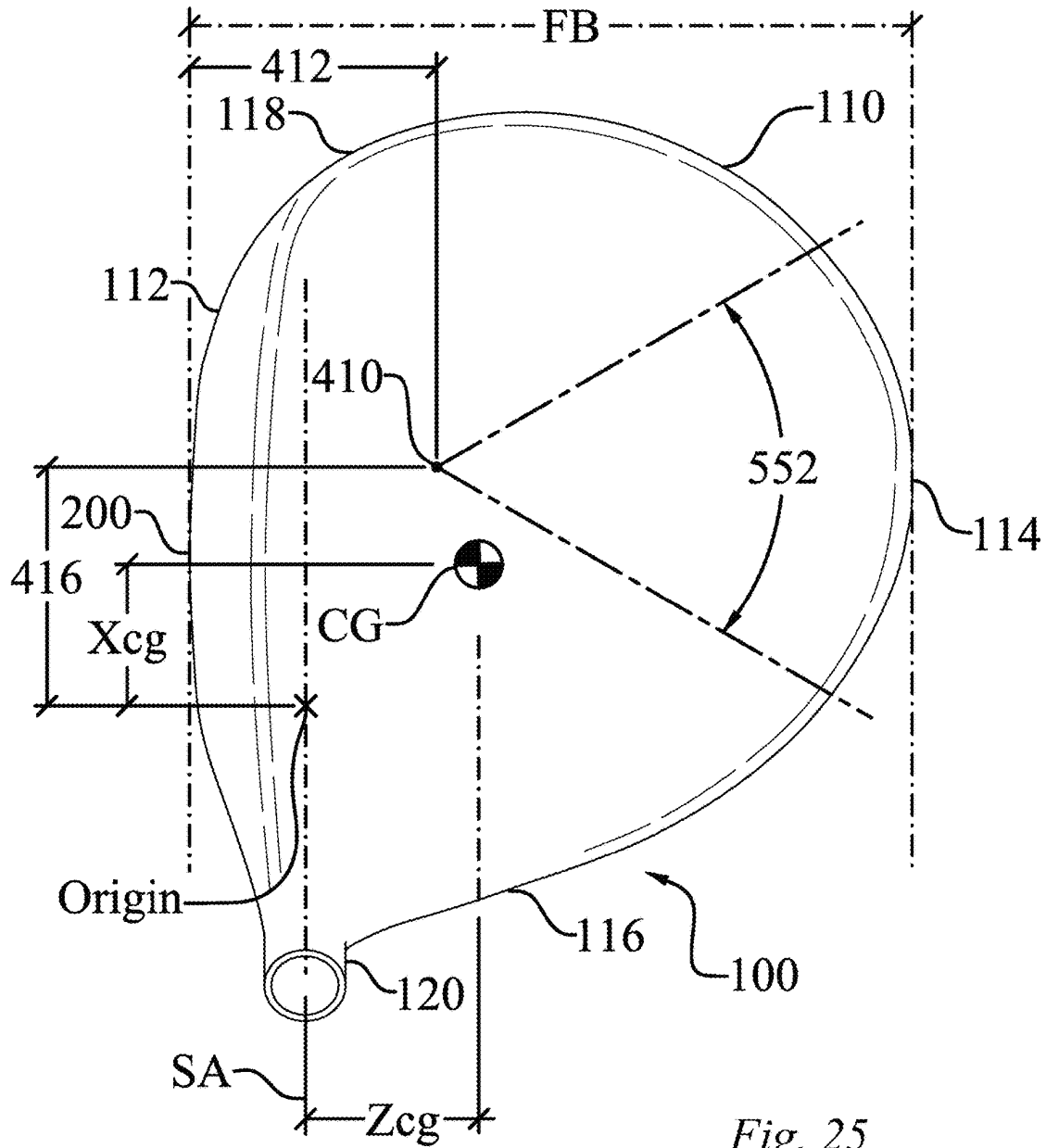


Fig. 25

AERODYNAMIC GOLF CLUB HEAD

CROSS-REFERENCE TO RELATED APPLICATIONS

This application is a continuation application of U.S. patent application Ser. No. 16/550,361, filed on Aug. 26, 2019, which is a continuation application of U.S. patent application Ser. No. 15,959,896, filed on Apr. 23, 2018, now U.S. Pat. No. 10,391,366, which is a continuation application of U.S. patent application Ser. No. 15/334,790, filed on Oct. 26, 2016, now U.S. Pat. No. 9,950,221, which is a continuation of U.S. patent application Ser. No. 14/789,263, filed on Jul. 1, 2015, now U.S. Pat. No. 9,504,886, which is a continuation application of U.S. patent application Ser. No. 14/259,475, filed on Apr. 23, 2014, now U.S. Pat. No. 9,168,433, which is a continuation application of U.S. patent application Ser. No. 14/069,448, filed on Nov. 1, 2013, now U.S. Pat. No. 8,771,101, which is a continuation application of U.S. patent application Ser. No. 13/960,879, now U.S. Pat. No. 8,597,137, filed on Aug. 7, 2013, which is a continuation application of U.S. patent application Ser. No. 13/683,299, now U.S. Pat. No. 8,540,586, filed on Nov. 21, 2012, which is a continuation application of U.S. patent application Ser. No. 13/305,978, now abandoned, filed on Nov. 29, 2011, which is a continuation application of U.S. patent application Ser. No. 12/409,998, now U.S. Pat. No. 8,088,021, filed on Mar. 24, 2009, which is a continuation-in-part of U.S. patent application Ser. No. 12/367,839, now U.S. Pat. No. 8,083,609, filed on Feb. 9, 2009, which claims the benefit of U.S. provisional patent application Ser. No. 61/080,892, filed on Jul. 15, 2008, and U.S. provisional patent application Ser. No. 61/101,919, filed on Oct. 1, 2008, all of which are incorporated by reference as if completely written herein.

STATEMENT REGARDING FEDERALLY SPONSORED RESEARCH OR DEVELOPMENT

This invention was not made as part of a federally sponsored research or development project.

TECHNICAL FIELD

The present invention relates to sports equipment; particularly, to a high volume aerodynamic golf club head.

BACKGROUND OF THE INVENTION

Modern high volume golf club heads, namely drivers, are being designed with little, if any, attention paid to the aerodynamics of the golf club head. This stems in large part from the fact that in the past the aerodynamics of golf club heads were studied and it was found that the aerodynamics of the club head had only minimal impact on the performance of the golf club.

The drivers of today have club head volumes that are often double the volume of the most advanced club heads from just a decade ago. In fact, virtually all modern drivers have club head volumes of at least 400 cc, with a majority having volumes right at the present USGA mandated limit of 460 cc. Still, golf club designers pay little attention to the aerodynamics of these large golf clubs; often instead focusing solely on increasing the club head's resistance to twisting during off-center shots.

The modern race to design golf club heads that greatly resist twisting, meaning that the club heads have large

moments of inertia, has led to club heads having very long front-to-back dimensions. The front-to-back dimension of a golf club head, often annotated the FB dimension, is measured from the leading edge of the club face to the furthest back portion of the club head. Currently, in addition to the USGA limit on the club head volume, the USGA limits the front-to-back dimension (FB) to 5 inches and the moment of inertia about a vertical axis passing through the club head's center of gravity (CG), referred to as MOI, to 5900 g*cm². One of skill in the art will know the meaning of "center of gravity," referred to herein as CG, from an entry level course on mechanics. With respect to wood-type golf clubs, which are generally hollow and/or having non-uniform density, the CG is often thought of as the intersection of all the balance points of the club head. In other words, if you balance the head on the face and then on the sole, the intersection of the two imaginary lines passing straight through the balance points would define the point referred to as the CG.

Until just recently the majority of drivers had what is commonly referred to as a "traditional shape" and a 460 cc club head volume. These large volume traditional shape drivers had front-to-back dimensions (FB) of approximately 4.0 inches to 4.3 inches, generally achieving an MOI in the range of 4000-4600 g*cm². As golf club designers strove to increase MOI as much as possible, the FB dimension of drivers started entering the range of 4.3 inches to 5.0 inches. The graph of FIG. 1 shows the FB dimension and MOI of 83 different club head designs and nicely illustrates that high MOI values come with large FB dimensions.

While increasing the FB dimension to achieve higher MOI values is logical, significant adverse effects have been observed in these large FB dimension clubs. One significant adverse effect is a dramatic reduction in club head speed, which appears to have gone unnoticed by many in the industry. The graph of FIG. 2 illustrates player test data with drivers having an FB dimension greater than 3.6 inches. The graph illustrates considerably lower club head speeds for large FB dimension drivers when compared to the club head speeds of drivers having FB dimensions less than 4.4 inches. In fact, a club head speed of 104.6 mph was achieved when swinging a driver having a FB dimension of less than 3.8 inches, while the swing speed dropped over 3% to 101.5 mph when swinging a driver with a FB dimension of slightly less than 4.8 inches.

This significant decrease in club head speed is the result of the increase in aerodynamic drag forces associated with large FB dimension golf club heads. Data obtained during extensive wind tunnel testing shows a strong correlation between club head FB dimension and the aerodynamic drag measured at several critical orientations. First, orientation one is identified in FIG. 11 with a flow arrow labeled as "Air Flow—90°" and is referred to in the graphs of the figures as "lie 90 degree orientation." This orientation can be thought of as the club head resting on the ground plane (GP) with the shaft axis (SA) at the club head's design lie angle, as seen in FIG. 8. Then a 100 mph wind is directed parallel to the ground plane (GP) directly at the club face (200), as illustrated by the flow arrow labeled "Air Flow—90°" in FIG. 11.

Secondly, orientation two is identified in FIG. 11 with a flow arrow labeled as "Air Flow—60°" and is referred to in the graphs of the figures as "lie 60 degree orientation." This orientation can be thought of as the club head resting on the ground plane (GP) with the shaft axis (SA) at the club head's design lie angle, as seen in FIG. 8. Then a 100 mph wind is oriented thirty degrees from a vertical plane normal to the face (200) with the wind originating from the heel

(116) side of the club head, as illustrated by the flow arrow labeled "Air Flow—60°" in FIG. 11.

Thirdly, orientation three is identified in FIG. 12 with a flow arrow labeled as "Air Flow-Vert.—0°" and is referred to in the graphs of the figures as "vertical 0 degree orientation." This orientation can be thought of as the club head being oriented upside down with the shaft axis (SA) vertical while being exposed to a horizontal 100 mph wind directed at the heel (116), as illustrated by the flow arrow labeled "Air Flow-Vert.—0°" in FIG. 12. Thus, the air flow is parallel to the vertical plane created by the shaft axis (SA) seen in FIG. 11, blowing from the heel (116) to the toe (118) but with the club head oriented as seen in FIG. 12.

Now referring back to orientation one, namely the orientation identified in FIG. 11 with a flow arrow labeled as "Air Flow—90°." Normalized aerodynamic drag data has been gathered for six different club heads and is illustrated in the graph of FIG. 5. At this point it is important to understand that all of the aerodynamic drag forces mentioned herein, unless otherwise stated, are aerodynamic drag forces normalized to a 120 mph airstream velocity. Thus, the illustrated aerodynamic drag force values are the actual measured drag force at the indicated airstream velocity multiplied by the square of the reference velocity, which is 120 mph, then divided by the square of the actual airstream velocity. Therefore, the normalized aerodynamic drag force plotted in FIG. 5 is the actual measured drag force when subjected to a 100 mph wind at the specified orientation, multiplied by the square of the 120 mph reference velocity, and then divided by the square of the 100 mph actual airstream velocity.

Still referencing FIG. 5, the normalized aerodynamic drag force increases non-linearly from a low of 1.2 lbf with a short 3.8 inch FB dimension club head to a high of 2.65 lbf for a club head having a FB dimension of almost 4.8 inches. The increase in normalized aerodynamic drag force is in excess of 120% as the FB dimension increases slightly less than one inch, contributing to the significant decrease in club head speed previously discussed.

The results are much the same in orientation two, namely the orientation identified in FIG. 11 with a flow arrow labeled as "Air Flow—60°." Again, normalized aerodynamic drag data has been gathered for six different club heads and is illustrated in the graph of FIG. 4. The normalized aerodynamic drag force increases non-linearly from a low of approximately 1.1 lbf with a short 3.8 inch FB dimension club head to a high of approximately 1.9 lbf for a club head having a FB dimension of almost 4.8 inches. The increase in normalized aerodynamic drag force is almost 73% as the FB dimension increases slightly less than one inch, also contributing to the significant decrease in club head speed previously discussed.

Again, the results are much the same in orientation three, namely the orientation identified in FIG. 12 with a flow arrow labeled as "Air Flow-Vert.—0°." Again, normalized aerodynamic drag data has been gathered for several different club heads and is illustrated in the graph of FIG. 3. The normalized aerodynamic drag force increases non-linearly from a low of approximately 1.15 lbf with a short 3.8 inch FB dimension club head to a high of approximately 2.05 lbf for a club head having a FB dimension of almost 4.8 inches. The increase in normalized aerodynamic drag force is in excess of 78% as the FB dimension increases slightly less than one inch, also contributing to the significant decrease in club head speed previously discussed.

Further, the graph of FIG. 6 correlates the player test club head speed data of FIG. 2 with the maximum normalized

aerodynamic drag force for each club head from FIG. 3, 4, or 5. Thus, FIG. 6 shows that the club head speed drops from 104.6 mph, when the maximum normalized aerodynamic drag force is only 1.2 lbf, down to 101.5 mph, when the maximum normalized aerodynamic drag force is 2.65 lbf.

The drop in club head speed just described has a significant impact on the speed at which the golf ball leaves the club face after impact and thus the distance that the golf ball travels. In fact, for a club head speed of approximately 100 mph, each 1 mph reduction in club head speed results in approximately a 1% loss in distance. The present golf club head has identified these relationships, the reason for the drop in club head speed associated with long FB dimension clubs, and several ways to reduce the aerodynamic drag force of golf club heads.

SUMMARY OF THE INVENTION

The claimed aerodynamic golf club head having a post apex attachment promoting region has recognized that the poor aerodynamic performance of large FB dimension drivers is not due solely to the large FB dimension; rather, in an effort to create large FB dimension drivers with a high MOI value and low center of gravity (CG) dimension, golf club designers have generally created clubs that have very poor aerodynamic shaping. Several problems are the lack of proper shaping to account for airflow reattachment in the crown area trailing the face, the lack of proper shaping to promote airflow attachment after it passes the highest point on the crown, and the lack of proper trailing edge design. In addition, current large FB dimension driver designs have ignored, or even tried to maximize in some cases, the frontal cross sectional area of the golf club head which increases the aerodynamic drag force.

The present aerodynamic golf club head having a post apex attachment promoting region solves these issues and results in a high volume aerodynamic golf club head having a relatively large FB dimension with beneficial moment of inertia values, while also obtaining superior aerodynamic properties unseen by other large volume, large FB dimension, high MOI golf club heads. The golf club head obtains superior aerodynamic performance through the use of unique club head shapes and the incorporation of a having a post apex attachment promoting region directed to keeping the airflow attached to the club head as it passes the crown apex.

The club head has a crown section having a post apex attachment promoting region that at the crown apex and extends toward the back of the club head. The post apex attachment promoting region is a relatively flat portion of the crown section that is behind the crown apex, yet above the maximum height on the face of the club head. The post apex attachment promoting region aides in keeping airflow attached to the club head once it flows past the crown apex thereby resulting in reduced aerodynamic drag forces and producing higher club head speeds.

BRIEF DESCRIPTION OF THE DRAWINGS

Without limiting the scope of the present aerodynamic golf club head as claimed below and referring now to the drawings and figures:

FIG. 1 shows a graph of FB dimensions versus MOI;

FIG. 2 shows a graph of FB dimensions versus club head speed;

FIG. 3 shows a graph of FB dimensions versus club head normalized aerodynamic drag force;

FIG. 4 shows a graph of FB dimensions versus club head normalized aerodynamic drag force;

FIG. 5 shows a graph of FB dimensions versus club head normalized aerodynamic drag force;

FIG. 6 shows a graph of club head normalized aerodynamic drag force versus club head speed;

FIG. 7 shows a top plan view of a high volume aerodynamic golf club head, not to scale;

FIG. 8 shows a front elevation view of a high volume aerodynamic golf club head, not to scale;

FIG. 9 shows a toe side elevation view of a high volume aerodynamic golf club head, not to scale;

FIG. 10 shows a front elevation view of a high volume aerodynamic golf club head, not to scale;

FIG. 11 shows a top plan view of a high volume aerodynamic golf club head, not to scale;

FIG. 12 shows a rotated front elevation view of a high volume aerodynamic golf club head with a vertical shaft axis orientation, not to scale;

FIG. 13 shows a front elevation view of a high volume aerodynamic golf club head, not to scale;

FIG. 14 shows a top plan view of a high volume aerodynamic golf club head having a post apex attachment promoting region, not to scale;

FIG. 15 shows a top plan view of a high volume aerodynamic golf club head having a post apex attachment promoting region, not to scale;

FIG. 16 shows a top plan view of a high volume aerodynamic golf club head having a post apex attachment promoting region, not to scale;

FIG. 17 shows a top plan view of a high volume aerodynamic golf club head having a post apex attachment promoting region, not to scale;

FIG. 18 shows a partial isometric view of a high volume aerodynamic golf club head having a post apex attachment promoting region intersected by the maximum top edge plane, not to scale;

FIG. 19 shows a cross-sectional view taken through a center of the face of a high volume aerodynamic golf club head having a post apex attachment promoting region, not to scale;

FIG. 20 shows a cross-sectional view taken through a center of the face of a high volume aerodynamic golf club head having a post apex attachment promoting region, not to scale;

FIG. 21 shows a heel-side elevation view of a high volume aerodynamic golf club head having a post apex attachment promoting region, not to scale;

FIG. 22 shows a toe-side elevation view of a high volume aerodynamic golf club head having a post apex attachment promoting region, not to scale;

FIG. 23 shows a rear elevation view of a high volume aerodynamic golf club head having a post apex attachment promoting region, not to scale;

FIG. 24 shows a bottom plan view of a high volume aerodynamic golf club head having a post apex attachment promoting region, not to scale; and

FIG. 25 shows a top plan view of a high volume aerodynamic golf club head having a post apex attachment promoting region, not to scale.

These drawings are provided to assist in the understanding of the exemplary embodiments of the high volume aerodynamic golf club head as described in more detail below and should not be construed as unduly limiting the present golf club head. In particular, the relative spacing, positioning, sizing and dimensions of the various elements illustrated in the drawings are not drawn to scale and may

have been exaggerated, reduced or otherwise modified for the purpose of improved clarity. Those of ordinary skill in the art will also appreciate that a range of alternative configurations have been omitted simply to improve the clarity and reduce the number of drawings.

DETAILED DESCRIPTION OF THE INVENTION

The claimed high volume aerodynamic golf club head (100) enables a significant advance in the state of the art. The preferred embodiments of the club head (100) accomplish this by new and novel arrangements of elements and methods that are configured in unique and novel ways and which demonstrate previously unavailable but preferred and desirable capabilities. The description set forth below in connection with the drawings is intended merely as a description of the presently preferred embodiments of the club head (100), and is not intended to represent the only form in which the club head (100) may be constructed or utilized. The description sets forth the designs, functions, means, and methods of implementing the club head (100) in connection with the illustrated embodiments. It is to be understood, however, that the same or equivalent functions and features may be accomplished by different embodiments that are also intended to be encompassed within the spirit and scope of the club head (100).

The present high volume aerodynamic golf club head (100) has recognized that the poor aerodynamic performance of large FB dimension drivers is not due solely to the large FB dimension; rather, in an effort to create large FB dimension drivers with a high MOIy value and low center of gravity (CG) dimension, golf club designers have generally created clubs that have very poor aerodynamic shaping. The main problems are the significantly flat surfaces on the body, the lack of proper shaping to account for airflow reattachment in the crown area trailing the face, and the lack of proper trailing edge design. In addition, current large FB dimension driver designs have ignored, or even tried to maximize in some cases, the frontal cross sectional area of the golf club head which increases the aerodynamic drag force. The present aerodynamic golf club head (100) solves these issues and results in a high volume aerodynamic golf club head (100) having a large FB dimension and a high MOIy.

The present high volume aerodynamic golf club head (100) has a volume of at least 400 cc. It is characterized by a face-on normalized aerodynamic drag force of less than 1.5 lbf when exposed to a 100 mph wind parallel to the ground plane (GP) when the high volume aerodynamic golf club head (100) is positioned in a design orientation and the wind is oriented at the front (112) of the high volume aerodynamic golf club head (100), as previously described with respect to FIG. 11 and the flow arrow labeled "air flow—90°." As explained in the "Background" section, but worthy of repeating in this section, all of the aerodynamic drag forces mentioned herein, unless otherwise stated, are aerodynamic drag forces normalized to a 120 mph airstream velocity. Thus, the above mentioned normalized aerodynamic drag force of less than 1.5 lbf when exposed to a 100 mph wind is the actual measured drag force at the indicated 100 mph airstream velocity multiplied by the square of the reference velocity, which is 120 mph, then divided by the square of the actual airstream velocity, which is 100 mph.

With general reference to FIGS. 7-9, the high volume aerodynamic golf club head (100) includes a hollow body (110) having a face (200), a sole section (300), and a crown

section (400). The hollow body (110) may be further defined as having a front (112), a back (114), a heel (116), and a toe (118). Further, the hollow body (110) has a front-to-back dimension (FB) of at least 4.4 inches, as previously defined and illustrated in FIG. 7.

The relatively large FB dimension of the present high volume aerodynamic golf club head (100) aids in obtaining beneficial moment of inertia values while also obtaining superior aerodynamic properties unseen by other large volume, large FB dimension, high MOI golf club heads. Specifically, an embodiment of the high volume aerodynamic golf club head (100) obtains a first moment of inertia (MOI_y) about a vertical axis through a center of gravity (CG) of the golf club head (100), illustrated in FIG. 7, that is at least 4000 g*cm². MOI_y is the moment of inertia of the golf club head (100) that resists opening and closing moments induced by ball strikes towards the toe side or heel side of the face. Further, this embodiment obtains a second moment of inertia (MOI_x) about a horizontal axis through the center of gravity (CG), as seen in FIG. 9, that is at least 2000 g*cm². MOI_x is the moment of inertia of the golf club head (100) that resists lofting and delofting moments induced by ball strikes high or low on the face (200).

The golf club head (100) obtains superior aerodynamic performance through the use of unique club head shapes. Referring now to FIG. 8, the crown section (400) has a crown apex (410) located an apex height (AH) above a ground plane (GP). The apex height (AH), as well as the location of the crown apex (410), play important roles in obtaining desirable airflow reattachment as close to the face (200) as possible, as well as improving the airflow attachment to the crown section (400). With reference now to FIGS. 9 and 10, the crown section (400) has three distinct radii that improve the aerodynamic performance of the present club head (100). First, as seen in FIG. 9, a portion of the crown section (400) between the crown apex (410) and the front (112) has an apex-to-front radius of curvature (Ra-f) that is less than 3 inches. The apex-to-front radius of curvature (Ra-f) is measured in a vertical plane that is perpendicular to a vertical plane passing through the shaft axis (SA), and the apex-to-front radius of curvature (Ra-f) is further measured at the point on the crown section (400) between the crown apex (410) and the front (112) that has the smallest the radius of curvature. In one particular embodiment, at least fifty percent of the vertical plane cross sections taken perpendicular to a vertical plane passing through the shaft axis (SA), which intersect a portion of a face top edge (210), are characterized by an apex-to-front radius of curvature (Ra-f) of less than 3 inches. In still a further embodiment, at least ninety percent of the vertical plane cross sections taken perpendicular to a vertical plane passing through the shaft axis (SA), which intersect a portion of the face top edge (210), are characterized by an apex-to-front radius of curvature (Ra-f) of less than 3 inches. In yet another embodiment, at least fifty percent of the vertical plane cross sections taken perpendicular to a vertical plane passing through the shaft axis (SA), which intersect a portion of the face top edge (210) between the center of the face (200) and the toward most point on the face (200), are characterized by an apex-to-front radius of curvature (Ra-f) of less than 3 inches. Still further, another embodiment has at least fifty percent of the vertical plane cross sections taken perpendicular to a vertical plane passing through the shaft axis (SA), which intersect a portion of the face top edge (210) between the center of the face (200) and the toward most point on the face (200), are characterized by an apex-to-front radius of curvature (Ra-f) of less than 3 inches.

The center of the face (200) shall be determined in accordance with the USGA "Procedure for Measuring the Flexibility of a Golf Clubhead," Revision 2.0, Mar. 25, 2005, which is incorporated herein by reference. This USGA procedure identifies a process for determining the impact location on the face of a golf club that is to be tested, also referred therein as the face center. The USGA procedure utilizes a template that is placed on the face of the golf club to determine the face center.

Secondly, a portion of the crown section (400) between the crown apex (410) and the back (114) of the hollow body (110) has an apex-to-rear radius of curvature (Ra-r) that is less than 3.75 inches. The apex-to-rear radius of curvature (Ra-r) is also measured in a vertical plane that is perpendicular to a vertical plane passing through the shaft axis (SA), and the apex-to-rear radius of curvature (Ra-r) is further measured at the point on the crown section (400) between the crown apex (410) and the back (114) that has the smallest the radius of curvature. In one particular embodiment, at least fifty percent of the vertical plane cross sections taken perpendicular to a vertical plane passing through the shaft axis (SA), which intersect a portion of the face top edge (210), are characterized by an apex-to-rear radius of curvature (Ra-r) of less than 3.75 inches. In still a further embodiment, at least ninety percent of the vertical plane cross sections taken perpendicular to a vertical plane passing through the shaft axis (SA), which intersect a portion of the face top edge (210), are characterized by an apex-to-rear radius of curvature (Ra-r) of less than 3.75 inches. In yet another embodiment, one hundred percent of the vertical plane cross sections taken perpendicular to a vertical plane passing through the shaft axis (SA), which intersect a portion of the face top edge (210) between the center of the face (200) and the toward most point on the face (200), are characterized by an apex-to-rear radius of curvature (Ra-r) of less than 3.75 inches.

Lastly, as seen in FIG. 10, a portion of the crown section (400) has a heel-to-toe radius of curvature (Rh-t) at the crown apex (410) in a direction parallel to the vertical plane created by the shaft axis (SA) that is less than 4 inches. In a further embodiment, at least ninety percent of the crown section (400) located between the most heelward point on the face (200) and the most toward point on the face (200) has a heel-to-toe radius of curvature (Rh-t) at the crown apex (410) in a direction parallel to the vertical plane created by the shaft axis (SA) that is less than 4 inches. A further embodiment has one hundred percent of the crown section (400) located between the most heelward point on the face (200) and the most toward point on the face (200) exhibiting a heel-to-toe radius of curvature (Rh-t), at the crown apex (410) in a direction parallel to the vertical plane created by the shaft axis (SA), that is less than 4 inches.

Such small radii of curvature exhibited in the embodiments described herein have traditionally been avoided in the design of high volume golf club heads, especially in the design of high volume golf club heads having FB dimensions of 4.4 inches and greater. However, it is these tight radii produce a bulbous crown section (400) that facilitates airflow reattachment as close to the face (200) as possible, thereby resulting in reduced aerodynamic drag forces and facilitating higher club head speeds.

Conventional high volume large MOI_y golf club heads having large FB dimensions, such as those seen in U.S. Pat. Nos. D544939 and D543600, have relatively flat crown sections that often never extend above the face. While these designs appear as though they should cut through the air, the opposite is often true with such shapes achieving poor

airflow reattachment characteristics and increased aerodynamic drag forces. The present club head (100) has recognized the significance of proper club head shaping to account for rapid airflow reattachment in the crown section (400) trailing the face (200), which is quite the opposite of the flat steeply sloped crown sections of many prior art large FB dimension club heads.

With reference now to FIG. 10, the face (200) has a top edge (210) and a lower edge (220). Further, as seen in FIGS. 8 and 9, the top edge (210) has a top edge height (TEH) that is the elevation of the top edge (210) above the ground plane (GP). Similarly, the lower edge (220) has a lower edge height (LEH) that is the elevation of the lower edge (220) above the ground plane (GP). The highest point along the top edge (210) produces a maximum top edge height (TEH) that is at least 2 inches. Similarly, the lowest point along the lower edge (220) is a minimum lower edge height (LEH).

One of many significant advances of this embodiment of the present club head (100) is the design of an apex ratio that encourages airflow reattachment on the crown section (400) of the golf club head (100) as close to the face (200) as possible. In other words, the sooner that airflow reattachment is achieved, the better the aerodynamic performance and the smaller the aerodynamic drag force. The apex ratio is the ratio of apex height (AH) to the maximum top edge height (TEH). As previously explained, in many large FB dimension golf club heads the apex height (AH) is no more than the top edge height (TEH). In this embodiment, the apex ratio is at least 1.13, thereby encouraging airflow reattachment as soon as possible.

Still further, this embodiment of the club head (100) has a frontal cross sectional area that is less than 11 square inches. The frontal cross sectional area is the single plane area measured in a vertical plane bounded by the outline of the golf club head (100) when it is resting on the ground plane (GP) at the design lie angle and viewed from directly in front of the face (200). The frontal cross sectional area is illustrated by the cross-hatched area of FIG. 13.

In a further embodiment, a second aerodynamic drag force is introduced, namely the 30 degree offset aerodynamic drag force, as previously explained with reference to FIG. 11. In this embodiment the 30 degree offset normalized aerodynamic drag force is less than 1.3 lbf when exposed to a 100 mph wind parallel to the ground plane (GP) when the high volume aerodynamic golf club head (100) is positioned in a design orientation and the wind is oriented thirty degrees from a vertical plane normal to the face (200) with the wind originating from the heel (116) side of the high volume aerodynamic golf club head (100). In addition to having the face-on normalized aerodynamic drag force less than 1.5 lbf, introducing a 30 degree offset normalized aerodynamic drag force of less than 1.3 lbf further reduces the drop in club head speed associated with large volume, large FB dimension golf club heads.

Yet another embodiment introduces a third aerodynamic drag force, namely the heel normalized aerodynamic drag force, as previously explained with reference to FIG. 12. In this particular embodiment, the heel normalized aerodynamic drag force is less than 1.9 lbf when exposed to a horizontal 100 mph wind directed at the heel (116) with the body (110) oriented to have a vertical shaft axis (SA). In addition to having the face-on normalized aerodynamic drag force of less than 1.5 lbf and the 30 degree offset normalized aerodynamic drag force of less than 1.3 lbf, having a heel normalized aerodynamic drag force of less than 1.9 lbf further reduces the drop in club head speed associated with large volume, large FB dimension golf club heads.

A still further embodiment has recognized that having the apex-to-front radius of curvature (Ra-f) at least 25% less than the apex-to-rear radius of curvature (Ra-r) produces a particularly aerodynamic golf club head (100) further assisting in airflow reattachment and preferred airflow attachment over the crown section (400). Yet another embodiment further encourages quick airflow reattachment by incorporating an apex ratio of the apex height (AH) to the maximum top edge height (TEH) that is at least 1.2. This concept is taken even further in yet another embodiment in which the apex ratio of the apex height (AH) to the maximum top edge height (TEH) is at least 1.25. Again, these large apex ratios produce a bulbous crown section (400) that facilitates airflow reattachment as close to the face (200) as possible, thereby resulting in reduced aerodynamic drag forces and resulting in higher club head speeds.

Reducing aerodynamic drag by encouraging airflow reattachment, or conversely discouraging extended lengths of airflow separation, may be further obtained in yet another embodiment in which the apex-to-front radius of curvature (Ra-f) is less than the apex-to-rear radius of curvature (Ra-r), and the apex-to-rear radius of curvature (Ra-r) is less than the heel-to-toe radius of curvature (Rh-t). Such a shape is contrary to conventional high volume, long FB dimension golf club heads, yet produces a particularly aerodynamic shape.

Taking this embodiment a step further in another embodiment, a high volume aerodynamic golf club head (100) having the apex-to-front radius of curvature (Ra-f) less than 2.85 inches and the heel-to-toe radius of curvature (Rh-t) less than 3.85 inches produces a reduced face-on aerodynamic drag force. Another embodiment focuses on the playability of the high volume aerodynamic golf club head (100) by having a maximum top edge height (TEH) that is at least 2 inches, thereby ensuring that the face area is not reduced to an unforgiving level. Even further, another embodiment incorporates a maximum top edge height (TEH) that is at least 2.15 inches, further instilling confidence in the golfer that they are not swinging a golf club head (100) with a small striking face (200).

The foregoing embodiments may be utilized having even larger FB dimensions. For example, the previously described aerodynamic attributes may be incorporated into an embodiment having a front-to-back dimension (FB) that is at least 4.6 inches, or even further a front-to-back dimension (FB) that is at least 4.75 inches. These embodiments allow the high volume aerodynamic golf club head (100) to obtain even higher MOly values without reducing club head speed due to excessive aerodynamic drag forces.

Yet a further embodiment balances all of the radii of curvature requirements to obtain a high volume aerodynamic golf club head (100) while minimizing the risk of an unnatural appearing golf club head by ensuring that less than 10% of the club head volume is above the elevation of the maximum top edge height (TEH). A further embodiment accomplishes the goals herein with a golf club head (100) having between 5% to 10% of the club head volume located above the elevation of the maximum top edge height (TEH). This range achieves the desired crown apex (410) and radii of curvature to ensure desirable aerodynamic drag while maintaining an aesthetically pleasing look of the golf club head (100).

The location of the crown apex (410) is dictated to a degree by the apex-to-front radius of curvature (Ra-f); however, yet a further embodiment identifies that the crown apex (410) should be behind the forwardmost point on the face (200) a distance that is a crown apex setback dimension

(412), seen in FIG. 9, which is greater than 10% of the FB dimension and less than 70% of the FB dimension, thereby further reducing the period of airflow separation and resulting in desirable airflow over the crown section (400). One particular embodiment within this range incorporates a crown apex setback dimension (412) that is less than 1.75 inches. An even further embodiment balances playability with the volume shift toward the face (200) inherent in the present club head (100) by positioning the performance mass to produce a center of gravity (CG) further away from the forwardmost point on the face (200) than the crown apex setback dimension (412).

Additionally, the heel-to-toe location of the crown apex (410) also plays a significant role in the aerodynamic drag force. The location of the crown apex (410) in the heel-to-toe direction is identified by the crown apex ht dimension (414), as seen in FIG. 8. This figure also introduces a heel-to-toe (HT) dimension which is measured in accordance with USGA rules. The location of the crown apex (410) is dictated to a degree by the heel-to-toe radius of curvature (Rh-t); however, yet a further embodiment identifies that the crown apex (410) location should result in a crown apex ht dimension (414) that is greater than 30% of the HT dimension and less than 70% of the HT dimension, thereby aiding in reducing the period of airflow separation. In an even further embodiment, the crown apex (410) is located in the heel-to-toe direction between the center of gravity (CG) and the toe (118).

The present high volume aerodynamic golf club head (100) has a club head volume of at least 400 cc. Further embodiments incorporate the various features of the above described embodiments and increase the club head volume to at least 440 cc, or even further to the current USGA limit of 460 cc. However, one skilled in the art will appreciate that the specified radii and aerodynamic drag requirements are not limited to these club head sizes and apply to even larger club head volumes. Likewise, a heel-to-toe (HT) dimension of the present club head (100), as seen in FIG. 8, is greater than the FB dimension, as measured in accordance with USGA rules.

As one skilled in the art understands, the hollow body (110) has a center of gravity (CG). The location of the center of gravity (CG) is described with reference to an origin point, seen in FIG. 8. The origin point is the point at which a shaft axis (SA) with intersects with a horizontal ground plane (GP). The hollow body (110) has a bore having a center that defines the shaft axis (SA). The bore is present in club heads having traditional hosels, as well as hosel-less club heads. The center of gravity (CG) is located vertically toward the crown section (400) from the origin point a distance Y_{cg} in a direction orthogonal to the ground plane (GP), as seen in FIG. 8. Further, the center of gravity (CG) is located horizontally from the origin point toward the toe (118) a distance X_{cg} that is parallel to a vertical plane defined by the shaft axis (SA) and parallel to the ground plane (GP). Lastly, the center of gravity (CG) is located a distance Z_{cg} , seen in FIG. 14, from the origin point toward the back (114) in a direction orthogonal to the vertical direction used to measure Y_{cg} and orthogonal to the horizontal direction used to measure X_{cg} .

Several more embodiments, seen in FIGS. 14-25, incorporate a post apex attachment promoting region (420) on the surface of the crown section (400) at an elevation above a maximum top edge plane (MTEP), illustrated in FIGS. 18, 19, and 22, wherein the post apex attachment promoting region (420) begins at the crown apex (410) and extends toward the back (114) of the club head (100). The incorpo-

ration of this post apex attachment promoting region (420) creates a high volume aerodynamic golf club head having a post apex attachment promoting region (100) as seen in several embodiments in FIGS. 14-25. The post apex attachment promoting region (420) is a relatively flat portion of the crown section (400) that is behind the crown apex (410), yet above the maximum top edge plane (MTEP), and aids in keeping airflow attached to the club head (100) once it flows past the crown apex (410).

As with the prior embodiments, the embodiments containing the post apex attachment promoting region (420) include a maximum top edge height (TEH) of at least 2 inches and an apex ratio of the apex height (AH) to the maximum top edge height (TEH) of at least 1.13. As seen in FIG. 14, the crown apex (410) is located a distance from the origin point toward the toe (118) a crown apex x-dimension (416) distance that is parallel to the vertical plane defined by the shaft axis (SA) and parallel to the ground plane (GP).

In this particular embodiment, the crown section (400) includes a post apex attachment promoting region (420) on the surface of the crown section (400). Many of the previously described embodiments incorporate characteristics of the crown section (400) located between the crown apex (410) and the face (200) that promote airflow attachment to the club head (100) thereby reducing aerodynamic drag. The post apex attachment promoting region (420) is also aimed at reducing aerodynamic drag by encouraging the airflow passing over the crown section (400) to stay attached to the club head (100); however, the post apex attachment promoting region (420) is located between the crown apex (410) and the back (114) of the club head (100), while also being above the maximum top edge height (TEH), and thus above the maximum top edge plane (MTEP).

Many conventional high volume, large MOIy golf club heads having large FB dimensions have crown sections that often never extend above the face. Further, these prior clubs often have crown sections that aggressively slope down to the sole section. While these designs appear as though they should cut through the air, the opposite is often true with such shapes achieving poor airflow reattachment characteristics and increased aerodynamic drag forces. The present club head (100) has recognized the significance of proper club head shaping to account for rapid airflow reattachment in the crown section (400) trailing the face (200) via the apex ratio, as well as encouraging the to airflow remain attached to the club head (100) behind the crown apex (410) via the apex ratio and the post apex attachment promoting region (420).

With reference to FIG. 14, the post apex attachment promoting region (420) includes an attachment promoting region length (422) measured along the surface of the crown section (400) and orthogonal to the vertical plane defined by the shaft axis (SA). The attachment promoting region length (422) is at least as great as fifty percent of the crown apex setback dimension (412). The post apex attachment promoting region (420) also has an apex promoting region width (424) measured along the surface of the crown section (400) in a direction parallel to the vertical plane defined by the shaft axis (SA). The attachment promoting region width (424) is at least as great as the difference between the crown apex x-dimension (416) and the distance X_{cg} . The relationship of the attachment promoting region length (422) to the crown apex setback dimension (412) recognizes the natural desire of the airflow to separate from the club head (100) as it passes over the crown apex (410). Similarly, the relationship of the attachment promoting region width (424) to the difference between the crown apex x-dimension (416) and

the distance Xcg recognizes the natural desire of the airflow to separate from the club head (100) as it passes over the crown apex (410) in a direction other than directly from the face (200) to the back (114). Incorporating a post apex attachment promoting region (420) that has the claimed length (422) and width (424) establishes the amount of the club head (100) that is above the maximum top edge plane (MTEP) and behind the crown apex (410). In the past many golf club heads sought to minimize, or eliminate, the amount of club head (100) that is above the maximum top edge plane (MTEP)

While the post apex attachment promoting region (420) has both a length (422) and a width (424), the post apex attachment promoting region (420) need not be rectangular in nature. For instance, FIG. 16 illustrates an elliptical post apex attachment promoting region (420) having both a length (422) and a width (424), which may be thought of as a major axis and a minor axis. Thus, the post apex attachment promoting region (420) may be in the shape of any polygon or curved object including, but not limited to, triangles (equilateral, scalene, isosceles, right, acute, obtuse, etc.), quadrilaterals (trapezoid, parallelogram, rectangle, square, rhombus, kite), polygons, circles, ellipses, and ovals. The post apex attachment promoting region (420) is simply an area on the surface of the crown section (400) possessing the claimed attributes, and one skilled in the art will recognize that it will blend into the rest of the crown section (400) and may be indistinguishable by the naked eye.

Like the previous embodiments having aerodynamic characteristics in front of the crown apex (410), the present embodiment incorporating the post apex attachment promoting region (420) located behind the crown apex (410) also has a face-on normalized aerodynamic drag force of less than 1.5 lbf when exposed to a 100 mph wind parallel to the ground plane (GP) when the high volume aerodynamic golf club head having a post apex attachment promoting region (100) is positioned in a design orientation and the wind is oriented at the front (112) of the high volume aerodynamic golf club head having a post apex attachment promoting region (100), as previously explained in detail.

In a further embodiment, a second aerodynamic drag force is introduced, namely the 30 degree offset aerodynamic drag force, as previously explained with reference to FIG. 11. In this embodiment the 30 degree offset normalized aerodynamic drag force is less than 1.3 lbf when exposed to a 100 mph wind parallel to the ground plane (GP) when the high volume aerodynamic golf club head having a post apex attachment promoting region (100) is positioned in a design orientation and the wind is oriented thirty degrees from a vertical plane normal to the face (200) with the wind originating from the heel (116) side of the high volume aerodynamic golf club head having a post apex attachment promoting region (100). In addition to having the face-on normalized aerodynamic drag force less than 1.5 lbf, introducing a 30 degree offset normalized aerodynamic drag force of less than 1.3 lbf further reduces the drop in club head speed associated with large volume, large FB dimension golf club heads.

Yet another embodiment introduces a third aerodynamic drag force, namely the heel normalized aerodynamic drag force, as previously explained with reference to FIG. 12. In this particular embodiment, the heel normalized aerodynamic drag force is less than 1.9 lbf when exposed to a horizontal 100 mph wind directed at the heel (116) with the body (110) oriented to have a vertical shaft axis (SA). In addition to having the face-on normalized aerodynamic drag force of less than 1.5 lbf and the 30 degree offset normalized

aerodynamic drag force of less than 1.3 lbf, having a heel normalized aerodynamic drag force of less than 1.9 lbf further reduces the drop in club head speed associated with large volume, large FB dimension golf club heads.

Just as the embodiments that don't incorporate a post apex attachment promoting region (420) benefit from a relatively high apex ratio of the apex height (AH) to the maximum top edge height (TEH), so to do the embodiments incorporating a post apex attachment promoting region (420). After all, by definition the post apex attachment promoting region (420) is located above the maximum top edge plane (MTEP), which means that if the apex ratio is less than 1 then there can be no post apex attachment promoting region (420). An apex ratio of at least 1.13 provides for the height of the crown apex (410) that enables the incorporation of the post apex attachment promoting region (420) to reduce aerodynamic drag forces. Yet another embodiment further encourages airflow attachment behind the crown apex (410) by incorporating an apex ratio that is at least 1.2, thereby further increasing the available area on the crown section (400) above the maximum top edge height (TEH) suitable for a post apex attachment promoting region (420). The greater the amount of crown section (400) behind the crown apex (410), but above the maximum top edge height (TEH), and having the claimed attributes of the post apex attachment promoting region (420); the more likely the airflow is to remain attached to the club head (100) as it flows past the crown apex (410) and reduce the aerodynamic drag force.

With reference to FIGS. 14-17, in one of many embodiments the attachment promoting region length (422) is at least as great as seventy five percent of the crown apex setback dimension (412). As the attachment promoting region length (422) increases in proportion to the crown apex setback dimension (412), the amount of airflow separation behind the crown apex (410) is reduced. Further, as the attachment promoting region length (422) increases in proportion to the crown apex setback dimension (412), the geometry of the club head (100) is partially defined in that the amount of crown section (400) above the maximum top edge plane (MTEP) is set, thereby establishing the deviation of the crown section (400) from the crown apex (410) in the area behind the crown apex (410). Thus, at least a portion of the crown section (400) behind the crown apex (410) must be relatively flat, or deviate from an apex plane (AP), seen in FIG. 22, by less than twenty degrees thereby reducing the amount of airflow separation behind the crown apex (410).

In a further embodiment seen in FIG. 15, the apex promoting region width (424) is at least twice as great as the difference between the crown apex x-dimension (416) and the distance Xcg. As the apex promoting region width (424) increases, more airflow coming over the crown apex (410) is exposed to the post apex attachment promoting region (420) further promoting airflow attachment to the club head (100) behind the crown apex (410) and reducing aerodynamic drag force.

Yet another embodiment focuses not solely on the size of the post apex attachment promoting region (420), but also on the location of it. It is helpful to define a new dimension to further characterize the placement of the post apex attachment promoting region (420); namely, as seen in FIG. 17, the hollow body (110) has a crown apex-to-toe dimension (418) measured from the crown apex (410) to the toeward-most point on the hollow body (110) in a direction parallel to the vertical plane defined by the shaft axis (SA) and parallel to the ground plane (GP). The present embodiment recognizes the significance of having the major portion of the crown section (400) between the crown apex (410) and

the toe (118) incorporating a post apex attachment promoting region (420). Thus, in this embodiment, the post apex attachment promoting region width (424) is at least fifty percent of the crown apex-to-toe dimension (418). In a further embodiment, at least fifty percent of the crown apex-to-toe dimension (418) includes a portion of the post apex attachment promoting region (420). Generally it is easier to promote airflow attachment to the club head (100) on the crown section (400) behind the crown apex (410) in the region from the crown apex (410) to the toe (118), when compared to the region from the crown apex (410) to the heel (116), because of the previously explained airflow disruption associated with the hosel of the club head (100).

Another embodiment builds upon the post apex attachment promoting region (420) by having at least 7.5 percent of the club head volume located above the maximum top edge plane (MTEP), illustrated in FIG. 18. Incorporating such a volume above the maximum top edge plane (MTEP) increases the surface area of the club head (100) above the maximum top edge height (TEH) facilitating the post apex attachment promoting region (420) and reducing airflow separation between the crown apex (410) and the back (114) of the club head (100). Another embodiment, seen in FIG. 19, builds upon this relationship by incorporating a club head (100) design characterized by a vertical cross-section taken through the hollow body (110) at a center of the face (200) extending orthogonal to the vertical plane through the shaft axis (SA) has at least 7.5 percent of the cross-sectional area located above the maximum top edge plane (MTEP).

As previously mentioned, in order to facilitate the post apex attachment promoting region (420), at least a portion of the crown section (400) has to be relatively flat and not aggressively sloped from the crown apex (410) toward the ground plane (GP). In fact, in one embodiment, a portion of the post apex attachment promoting region (420) has an apex-to-rear radius of curvature (Ra-r), seen in FIG. 20, that is greater than 5 inches. In yet another embodiment, a portion of the post apex attachment promoting region (420) has an apex-to-rear radius of curvature (Ra-r) that is greater than both the bulge and the roll of the face (200). An even further embodiment has a portion of the post apex attachment promoting region (420) having an apex-to-rear radius of curvature (Ra-r) that is greater than 20 inches. These relatively flat portions of the post apex attachment promoting region (420), which is above the maximum top edge plane (MTEP), promote airflow attachment to the club head (100) behind the crown apex (410).

Further embodiments incorporate a post apex attachment promoting region (420) in which a majority of the cross sections taken from the face (200) to the back (114) of the club head (100), perpendicular to the vertical plane through the shaft axis (SA), which pass through the post apex attachment promoting region (420), have an apex-to-rear radius of curvature (Ra-r) that is greater than 5 inches. In fact, in one particular embodiment, at least seventy five percent of the vertical plane cross sections taken perpendicular to a vertical plane passing through the shaft axis (SA), which pass through the post apex attachment promoting region (420), are characterized by an apex-to-rear radius of curvature (Ra-r) that is greater than 5 inches within the post apex attachment promoting region (420); thereby further promoting airflow attachment between the crown apex (410) and the back (114) of the club head (100).

Another embodiment incorporates features that promote airflow attachment both in front of the crown apex (410) and behind the crown apex (410). In this embodiment, seen in FIG. 20, the previously described vertical plane cross sec-

tions taken perpendicular to a vertical plane passing through the shaft axis (SA), which pass through the post apex attachment promoting region (420), also have an apex-to-front radius of curvature (Ra-f) that is less than 3 inches, and wherein at least fifty percent of the vertical plane cross sections taken perpendicular to a vertical plane passing through the shaft axis (SA), which pass through the post apex attachment promoting region (420), are characterized by an apex-to-front radius of curvature (Ra-f) of at least 50% less than the apex-to-rear radius of curvature (Ra-r). This combination of a very curved crown section (400) from the crown apex (410) to the face (200), along with a relatively flat crown section (400) from the crown apex (410) toward the back (114), both being above the maximum top edge plane (MTEP), promotes airflow attachment over the crown section (400) and reduces aerodynamic drag force. Yet another embodiment takes this relationship further and increases the percentage of the vertical plane cross sections taken perpendicular to a vertical plane passing through the shaft axis (SA), previously discussed, to at least seventy five percent of the vertical plane cross sections taken perpendicular to a vertical plane passing through the shaft axis (SA); thus further promoting airflow attachment over the crown section (400) of the club head (100).

The attributes of the claimed crown section (400) tend to keep the crown section (400) distant from the sole section (300). One embodiment, seen in FIGS. 21 and 22, incorporates a skirt (500) connecting a portion of the crown section (400) to the sole section (300). The skirt (500) includes a skirt profile (550) that is concave within a profile region angle (552), seen in FIG. 25, originating at the crown apex (410) wherein the profile region angle (552) is at least 45 degrees. With specific reference to FIG. 21, the concave skirt profile (550) creates a skirt-to-sole transition region (510), also referred to as "SSSTR," at the connection to the sole section (300) and the skirt-to-sole transition region (510) has a rearwardmost SSSTR point (512) located above the ground plane (GP) at a rearwardmost SSSTR point elevation (513). Similarly, a skirt-to-crown transition region (520), also referred to as "SSCR," is present at the connection to the crown section (400) and the skirt-to-crown transition region (520) has a rearwardmost SCTR point (522) located above the ground plane (GP) at a rearwardmost SCTR point elevation (523).

In this particular embodiment the rearwardmost SSSTR point (512) and the rearwardmost SCTR point (522) need not be located vertically in-line with one another, however they are both located within the profile region angle (552) of FIG. 25. Referring again to FIG. 21, the rearwardmost SSSTR point (512) and the rearwardmost SCTR point (522) are vertically separated by a vertical separation distance (530) that is at least thirty percent of the apex height (AH); while also being horizontally separated in a heel-to-toe direction by a heel-to-toe horizontal separation distance (545), seen in FIG. 23; and horizontally separated in a front-to-back direction by a front-to-back horizontal separation distance (540), seen in FIG. 22. This combination of relationships among the elements of the skirt (500) further promotes airflow attachment in that it establishes the location and elevation of the rear of the crown section (400), and thus a profile of the crown section (400) from the crown apex (410) to the back (114) of the club head (100). Further, another embodiment incorporating a rearwardmost SSSTR point elevation (513) that is at least twenty five percent of the rearwardmost SCTR point elevation (523) defines a sole section (300) curvature that promotes airflow attachment on the sole section (300).

In a further embodiment, illustrated best in FIG. 23, the rearwardmost SCTR point (522) is substantially in-line vertically with the crown apex (410) producing the longest airflow path over the crown section (400) along the vertical cross section that passes through the crown apex (410) and thus maximizing the airflow attachment propensity of the crown section (400) design. Another variation incorporates a heel-to-toe horizontal separation distance (545) is at least as great as the difference between the crown apex x-dimension (416) and the distance X_{cg} . A further embodiment has the front-to-back horizontal separation distance (540) is at least thirty percent of the difference between the apex height (AH) and the maximum top edge height (TEH). These additional relationships further promote airflow attachment to the club head (100) by reducing the interference of other airflow paths with the airflow passing over the post apex attachment promoting region (420).

Another embodiment advancing this principle has the rearwardmost SSTR point (512) is located on the heel (116) side of the center of gravity, and the rearwardmost SCTR point (522) is located on the toe (118) side of the center of gravity, as seen in FIG. 23. An alternative embodiment has both the rearwardmost SSTR point and the rearwardmost SCTR point (522) located on the toe (118) side of the center of gravity, but offset by a heel-to-toe horizontal separation distance (545) that is at least as great as the difference between the apex height (AH) and the maximum top edge height (TEH).

All of the previously described aerodynamic characteristics with respect to the crown section (400) apply equally to the sole section (300) of the high volume aerodynamic golf club head (100). In other words, one skilled in the art will appreciate that just like the crown section (400) has a crown apex (410), the sole section (300) may have a sole apex. Likewise, the three radii of the crown section (400) may just as easily be three radii of the sole section (300). Thus, all of the embodiments described herein with respect to the crown section (400) are incorporated by reference with respect to the sole section (300).

The various parts of the golf club head (100) may be made from any suitable or desired materials without departing from the claimed club head (100), including conventional metallic and nonmetallic materials known and used in the art, such as steel (including stainless steel), titanium alloys, magnesium alloys, aluminum alloys, carbon fiber composite materials, glass fiber composite materials, carbon pre-preg materials, polymeric materials, and the like. The various sections of the club head (100) may be produced in any suitable or desired manner without departing from the claimed club head (100), including in conventional manners known and used in the art, such as by casting, forging, molding (e.g., injection or blow molding), etc. The various sections may be held together as a unitary structure in any suitable or desired manner, including in conventional manners known and used in the art, such as using mechanical connectors, adhesives, cements, welding, brazing, soldering, bonding, and other known material joining techniques. Additionally, the various sections of the golf club head (100) may be constructed from one or more individual pieces, optionally pieces made from different materials having different densities, without departing from the claimed club head (100).

Numerous alterations, modifications, and variations of the preferred embodiments disclosed herein will be apparent to those skilled in the art and they are all anticipated and contemplated to be within the spirit and scope of the instant club head. For example, although specific embodiments

have been described in detail, those with skill in the art will understand that the preceding embodiments and variations can be modified to incorporate various types of substitute and or additional or alternative materials, relative arrangement of elements, and dimensional configurations. Accordingly, even though only few variations of the present club head are described herein, it is to be understood that the practice of such additional modifications and variations and the equivalents thereof, are within the spirit and scope of the club head as defined in the following claims. The corresponding structures, materials, acts, and equivalents of all means or step plus function elements in the claims below are intended to include any structure, material, or acts for performing the functions in combination with other claimed elements as specifically claimed.

We claim:

1. A golf club head comprising:

A) a hollow body (110) having a club head volume of at least 400 cc, a face (200), a sole section (300), a crown section (400), a skirt (500) connects a portion of the crown section (400) to the sole section (300), a front (112), a back (114), a heel (116), and a toe (118), wherein:

i) the hollow body (110) has a front-to-back dimension (FB) of at least 4.4 inches;

ii) the hollow body (110) has a bore having a center that defines a shaft axis (SA) which intersects with a horizontal ground plane (GP) to define an origin point; and

iii) the hollow body (110) has a center of gravity (CG) located:

(a) vertically toward the crown section (400) from the origin point a distance Y_{cg} in a direction orthogonal to the ground plane (GP);

(b) horizontally from the origin point toward the toe (118) a distance X_{cg} that is parallel to a vertical plane defined by the shaft axis (SA) and parallel to the ground plane (GP); and

(c) a distance Z_{cg} from the origin toward the back (114) in a direction orthogonal to the vertical direction used to measure Y_{cg} and orthogonal to the horizontal direction used to measure X_{cg} ;

B) the face (200) having a top edge (210) and a lower edge (220), wherein a top edge height (TEH) is the elevation of the top edge (210) above the ground plane (GP) and a maximum top edge height (TEH) is at least 2 inches, and a lower edge height (LEH) is the elevation of the lower edge (220) above the ground plane (GP);

C) the crown section (400) having a crown apex (410) located an apex height (AH) above the ground plane (GP), wherein:

i) the crown apex (410) is located behind the forwardmost point on the face (200) a distance that is a crown apex setback dimension (412) measured in a direction toward the back (114) and orthogonal to the vertical direction used to measure Y_{cg} and orthogonal to the horizontal direction used to measure X_{cg} ;

ii) the crown apex (410) is located a distance from the origin toward the toe (118) a crown apex x-dimension (416) distance that is parallel to the vertical plane defined by the shaft axis (SA) and parallel to the ground plane (GP);

D) wherein within a profile region angle (552) of 45 degrees originating at the crown apex (410) and opening symmetrically toward the back (114) about a vertical front-to-back plane orthogonal to the vertical plane defined by the shaft axis (SA), the crown section

(400) transitions downward at a rearwardmost SCTR point (522) located a rearwardmost SCTR point elevation (523) above the ground plane (GP), and body (110) continues downward to a portion of the sole section (300) at a rearwardmost SSTR point (512) located a rearwardmost SSTR point elevation (513) above the ground plane (GP), and:

- i) the rearwardmost SSTR point (512) and the rearwardmost SCTR point (522) are vertically separated by a vertical separation distance (530) that is at least thirty percent of the apex height (AH); and
- ii) the rearwardmost SSTR point (512) and the rearwardmost SCTR point (522) are horizontally separated in a front-to-back direction by a front-to-back horizontal separation distance (540);

E) wherein a first moment of inertia (MOI_y) about a vertical axis through a center of gravity of the golf club head is at least 4000 g*cm², and a second moment of inertia (MOI_x) about a horizontal axis through the center of gravity is at least 2000 g*cm².

2. The golf club head of claim 1, wherein both the rearwardmost SSTR point (512) and the rearwardmost SCTR point (522) are located on the toe (118) side of the center of gravity.

3. The golf club head of claim 2, wherein the rearwardmost SCTR point elevation (523) is greater than the Y_{cg} distance, and the rearwardmost SSTR point elevation (513) is less than the Y_{cg} distance.

4. The golf club head of claim 3, wherein within the profile region angle (552) a portion of the body (110), located between the rearwardmost SSTR point (512) and the rearwardmost SCTR point (522), is closer to the face (200) than both the rearwardmost SSTR point (512) and the rearwardmost SCTR point (522).

5. The golf club head of claim 4, wherein a portion of the body (110) is concave between the rearwardmost SSTR point (512) and the rearwardmost SCTR point (522).

6. The golf club head of claim 3, wherein the rearwardmost SSTR point (512) and the rearwardmost SCTR point (522) are horizontally separated in a heel-to-toe direction by a heel-to-toe horizontal separation distance (545) that is at least as great as the difference between the crown apex x-dimension (416) and the distance X_{cg}.

7. The golf club head of claim 3, wherein the front-to-back horizontal separation distance (540) is at least thirty percent of the difference between the apex height (AH) and the maximum top edge height (TEH).

8. The golf club head of claim 3, wherein 5-10 percent of the club head volume is located above the maximum top edge plane (MTEP).

9. The golf club head of claim 3, wherein a vertical cross-section taken through the hollow body (110) at a center of the face (200) extending orthogonal to the vertical plane through the shaft axis (SA) has at least 7.5 percent of the cross-sectional area located above the maximum top edge plane (MTEP).

10. The golf club head of claim 1, wherein an apex ratio of the apex height (AH) to the maximum top edge height (TEH) is at least 1.13.

11. The golf club head of claim 10, wherein the maximum top edge height (TEH) is at least 2.15 inches and the apex ratio is at least 1.20.

12. The golf club head of claim 1, wherein the front-to-back dimension (FB) is at least 4.6 inches, and the crown apex setback dimension (412) is less than a distance from a vertical projection of the center of gravity on the ground

plane (GP) to a second vertical projection of the forwardmost point on the face (200) on the ground plane (GP).

13. The golf club head of claim 1, wherein the rearwardmost SSTR point elevation (513) is at least 25% of the rearwardmost SCTR point elevation (523).

14. The golf club head of claim 1, wherein the crown section (400) has (a) a heel-to-toe radius of curvature in contact with the crown apex (410) that is less than 4 inches, or (b) an apex-to-front radius of curvature in contact with the crown apex (410) that is at least 25% less than a portion of the apex-to-rear radius of curvature located above the top edge height (TEH) within the vertical section through the crown apex (410) and perpendicular to the vertical plane created by the shaft axis (SA).

15. The golf club head of claim 1, wherein the crown section (400) includes a post apex attachment promoting region (420) on the surface of the crown section (400) at an elevation above a maximum top edge plane (MTEP) wherein the post apex attachment promoting region (420) begins at the crown apex (410) and extends toward the back (114), and the post apex attachment promoting region (420) includes:

- (a) an attachment promoting region length (422) measured orthogonal to the vertical plane defined by the shaft axis (SA) from the crown apex (410) to a most rearward point of the post apex attachment promoting region (420), and the attachment promoting region length (422) is at least as great as fifty percent of the crown apex setback dimension (412); and

- (b) an attachment promoting region width (424) measured in a direction parallel to the vertical plane defined by the shaft axis (SA), and parallel to the horizontal ground plane (GP), from a most heelward point of the post apex attachment promoting region (420) to a most toward point of the post apex attachment promoting region (420), and the attachment promoting region width (424) is at least as great as the difference between the crown apex x-dimension (416) and the distance X_{cg}.

16. The golf club head of claim 15, wherein the hollow body (110) has a crown apex-to-toe dimension (418) measured from the crown apex (410) to the towardmost point on the hollow body (110) in a direction parallel to the vertical plane defined by the shaft axis (SA) and parallel to the ground plane (GP), and the attachment promoting region width (424) is at least fifty percent of the crown apex-to-toe dimension (418).

17. The golf club head of claim 16, wherein a portion of the post apex attachment promoting region (420) extends from the crown apex (410) toward the toe (118) a dimension that is at least fifty percent of the crown apex-to-toe dimension (418).

18. The golf club head of claim 17, wherein the attachment promoting region length (422) is at least as great as seventy five percent of the crown apex setback dimension (412), and the attachment promoting region width (424) is at least twice as great as the difference between the crown apex x-dimension (416) and the distance X_{cg}.

19. The golf club head of claim 17, wherein a portion of the post apex attachment promoting region (420) has an apex-to-rear radius of curvature (Ra-r) greater than 5 inches.

20. A golf club head comprising:

- A) a hollow body (110) having a club head volume of at least 400 cc, a face (200), a sole section (300), a crown section (400), a skirt (500) connects a portion of the

21

- crown section (400) to the sole section (300), a front (112), a back (114), a heel (116), and a toe (118), wherein:
- i) the hollow body (110) has a front-to-back dimension (FB) of at least 4.4 inches;
 - ii) the hollow body (110) has a bore having a center that defines a shaft axis (SA) which intersects with a horizontal ground plane (GP) to define an origin point; and
 - iii) the hollow body (110) has a center of gravity (CG) located:
 - (a) vertically toward the crown section (400) from the origin point a distance Y_{cg} in a direction orthogonal to the ground plane (GP);
 - (b) horizontally from the origin point toward the toe (118) a distance X_{cg} that is parallel to a vertical plane defined by the shaft axis (SA) and parallel to the ground plane (GP); and
 - (c) a distance Z_{cg} from the origin toward the back (114) in a direction orthogonal to the vertical direction used to measure Y_{cg} and orthogonal to the horizontal direction used to measure X_{cg} ;
- B) the face (200) having a top edge (210) and a lower edge (220), wherein a top edge height (TEH) is the elevation of the top edge (210) above the ground plane (GP) and a maximum top edge height (TEH) is at least 2 inches, and a lower edge height (LEH) is the elevation of the lower edge (220) above the ground plane (GP);
- C) the crown section (400) having a crown apex (410) located an apex height (AH) above the ground plane (GP) and an apex ratio of the apex height (AH) to the maximum top edge height (TEH) is at least 1.13, wherein:
- i) the crown apex (410) is located behind the forwardmost point on the face (200) a distance that is a crown apex setback dimension (412) measured in a direction toward the back (114) and orthogonal to the vertical direction used to measure Y_{cg} and orthogonal to the horizontal direction used to measure X_{cg} , and the crown apex setback dimension (412) is less than a distance from a vertical projection of the center of gravity on the ground plane (GP) to a second vertical projection of the forwardmost point on the face (200) on the ground plane (GP);
 - ii) the crown apex (410) is located a distance from the origin toward the toe (118) a crown apex x-dimension (416) distance that is parallel to the vertical plane defined by the shaft axis (SA) and parallel to the ground plane (GP);
- D) wherein within a profile region angle (552) of degrees originating at the crown apex (410) and opening symmetrically toward the back (114) about a vertical front-to-back plane orthogonal to the vertical plane defined by the shaft axis (SA), the crown section (400) transitions downward at a rearwardmost SCTR point (522) located a rearwardmost SCTR point elevation (523) above the ground plane (GP), and body (110) continues downward to a portion of the sole section (300) at a rearwardmost SSTR point (512) located a rearwardmost SSTR point elevation (513) above the ground plane (GP), with a portion of the body (110), located between the rearwardmost SSTR point (512) and the rearwardmost SCTR point (522), closer to the face (200) than both the rearwardmost SSTR point (512) and the rearwardmost SCTR point (522), and:
- i) the rearwardmost SSTR point (512) and the rearwardmost SCTR point (522) are vertically separated

22

- by a vertical separation distance (530) with the rearwardmost SCTR point elevation (523) greater than the Y_{cg} distance, and the rearwardmost SSTR point elevation (513) less than the Y_{cg} distance;
- ii) the rearwardmost SSTR point (512) and the rearwardmost SCTR point (522) are horizontally separated in a front-to-back direction by a front-to-back horizontal separation distance (540) that is at least thirty percent of the difference between the apex height (AH) and the maximum top edge height (TEH); and
 - iii) both the rearwardmost SSTR point (512) and the rearwardmost SCTR point (522) are located on the toe (118) side of the center of gravity;
- E) wherein a first moment of inertia (MOI_y) about a vertical axis through a center of gravity of the golf club head is at least 4000 g*cm², and a second moment of inertia (MOI_x) about a horizontal axis through the center of gravity is at least 2000 g*cm².
21. The golf club head of claim 20, wherein the maximum top edge height (TEH) is at least 2.15 inches.
22. The golf club head of claim 20, wherein the rearwardmost SSTR point elevation (513) is at least 25% of the rearwardmost SCTR point elevation (523).
23. The golf club head of claim 20, wherein the front-to-back dimension (FB) is at least 4.6 inches.
24. The golf club head of claim 20, wherein the vertical separation distance (530) is at least thirty percent of the apex height (AH).
25. The golf club head of claim 20, wherein the rearwardmost SSTR point (512) and the rearwardmost SCTR point (522) are horizontally separated in a heel-to-toe direction by a heel-to-toe horizontal separation distance (545) that is at least as great as the difference between the crown apex x-dimension (416) and the distance X_{cg} .
26. The golf club head of claim 20, wherein 5-10 percent of the club head volume is located above a maximum top edge plane (MTEP).
27. The golf club head of claim 20, wherein a vertical cross-section taken through the hollow body (110) at a center of the face (200) extending orthogonal to the vertical plane through the shaft axis (SA) has at least 7.5 percent of the cross-sectional area located above a maximum top edge plane (MTEP).
28. The golf club head of claim 20, wherein the crown section (400) has (a) a heel-to-toe radius of curvature in contact with the crown apex (410) that is less than 4 inches, or (b) an apex-to-front radius of curvature in contact with the crown apex (410) that is at least 25% less than a portion of an apex-to-rear radius of curvature located above the top edge height (TEH) within the vertical section through the crown apex (410) and perpendicular to the vertical plane created by the shaft axis (SA).
29. The golf club head of claim 20, wherein the crown section (400) includes a post apex attachment promoting region (420) on the surface of the crown section (400) at an elevation above a maximum top edge plane (MTEP) wherein the post apex attachment promoting region (420) begins at the crown apex (410) and extends toward the back (114), and the post apex attachment promoting region (420) includes:
- (a) an attachment promoting region length (422) measured orthogonal to the vertical plane defined by the shaft axis (SA) from the crown apex (410) to a most rearward point of the post apex attachment promoting region (420), and the attachment promoting region

23

length (422) is at least as great as fifty percent of the crown apex setback dimension (412); and

- (b) an attachment promoting region width (424) measured in a direction parallel to the vertical plane defined by the shaft axis (SA), and parallel to the horizontal ground plane (GP), from a most heelward point of the post apex attachment promoting region (420) to a most toward point of the post apex attachment promoting region (420), and the attachment promoting region width (424) is at least as great as the difference between the crown apex x-dimension (416) and the distance Xcg.

30. The golf club head of claim 29, wherein the hollow body (110) has a crown apex-to-toe dimension (418) measured from the crown apex (410) to the towardmost point on the hollow body (110) in a direction parallel to the vertical plane defined by the shaft axis (SA) and parallel to

24

the ground plane (GP), and the attachment promoting region width (424) is at least fifty percent of the crown apex-to-toe dimension (418).

31. The golf club head of claim 30, wherein a portion of the post apex attachment promoting region (420) extends from the crown apex (410) toward the toe (118) a dimension that is at least fifty percent of the crown apex-to-toe dimension (418).

32. The golf club head of claim 31, wherein the attachment promoting region length (422) is at least as great as seventy five percent of the crown apex setback dimension (412), and the attachment promoting region width (424) is at least twice as great as the difference between the crown apex x-dimension (416) and the distance Xcg.

33. The golf club head of claim 31, wherein a portion of the post apex attachment promoting region (420) has an apex-to-rear radius of curvature (Ra-r) greater than 5 inches.

* * * * *