



US011478685B2

(12) **United States Patent**
Burnett et al.

(10) **Patent No.:** **US 11,478,685 B2**
(45) **Date of Patent:** **Oct. 25, 2022**

(54) **IRON-TYPE GOLF CLUB HEAD**

A63B 53/0412 (2020.08); *A63B 53/0433*
(2020.08); *A63B 53/0437* (2020.08); *A63B*
53/0458 (2020.08); *A63B 60/48* (2015.10);
A63B 60/50 (2015.10)

(71) Applicant: **Taylor Made Golf Company, Inc.**,
Carlsbad, CA (US)

(72) Inventors: **Michael Scott Burnett**, McKinney, TX
(US); **Bryan Seon**, Garland, TX (US);
Jeffrey T. Halstead, Plano, TX (US);
Justin Girard, Dallas, TX (US)

(58) **Field of Classification Search**

CPC . *A63B 53/04*; *A63B 53/0408*; *A63B 53/0433*;
A63B 53/0458; *A63B 53/0462*; *A63B*
53/047; *A63B 53/0475*

(73) Assignee: **Taylor Made Golf Company, Inc.**,
Carlsbad, CA (US)

USPC 473/324–350
See application file for complete search history.

(*) Notice: Subject to any disclaimer, the term of this
patent is extended or adjusted under 35
U.S.C. 154(b) by 0 days.

(56) **References Cited**

U.S. PATENT DOCUMENTS

411,000 A 9/1889 Anderson
708,575 A 9/1902 Mules
(Continued)

(21) Appl. No.: **17/355,277**

(22) Filed: **Jun. 23, 2021**

FOREIGN PATENT DOCUMENTS

CN 2436182 Y 6/2001
CN 201353407 Y 12/2009
(Continued)

(65) **Prior Publication Data**

US 2021/0316195 A1 Oct. 14, 2021

Related U.S. Application Data

(63) Continuation of application No. 16/786,430, filed on
Feb. 10, 2020, now Pat. No. 11,045,696, which is a
continuation of application No. 16/366,481, filed on
Mar. 27, 2019, now Pat. No. 10,556,160, which is a
continuation of application No. 15/957,961, filed on
Apr. 20, 2018, now Pat. No. 10,245,485, which is a
continuation of application No. 15/437,835, filed on
Feb. 21, 2017, now Pat. No. 9,950,223, which is a
(Continued)

OTHER PUBLICATIONS

Office action from the U.S Patent and Trademark office in the U.S.
Appl. No. 13/401,690, dated May 23, 2012.
(Continued)

Primary Examiner — Alvin A Hunter
(74) *Attorney, Agent, or Firm* — Dawsey Co., LPA;
David J. Dawsey

(51) **Int. Cl.**

A63B 53/04 (2015.01)
A63B 60/52 (2015.01)
A63B 60/48 (2015.01)
A63B 60/50 (2015.01)

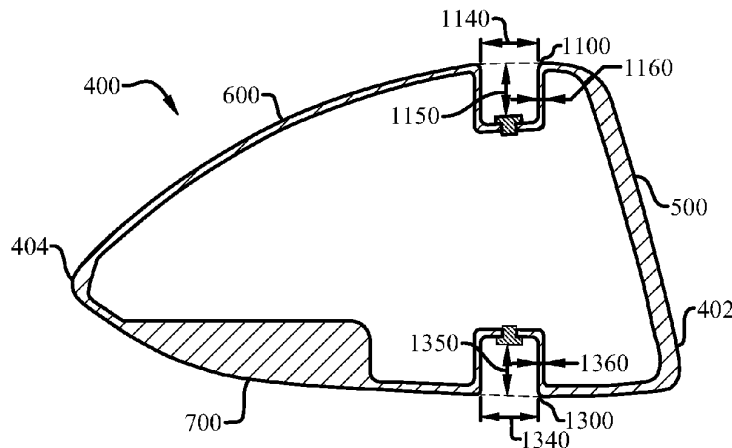
(57) **ABSTRACT**

An iron-type golf club incorporating an aperture extending
through the shell on the sole. The location and size of the
aperture selectively increase deflection of the face.

(52) **U.S. Cl.**

CPC *A63B 53/0475* (2013.01); *A63B 53/04*
(2013.01); *A63B 53/0466* (2013.01); *A63B*
60/52 (2015.10); *A63B 53/0408* (2020.08);

20 Claims, 28 Drawing Sheets



Related U.S. Application Data

continuation of application No. 14/868,446, filed on Sep. 29, 2015, now Pat. No. 9,610,482, which is a continuation of application No. 14/472,415, filed on Aug. 29, 2014, now Pat. No. 9,168,434, which is a continuation of application No. 13/397,122, filed on Feb. 15, 2012, now Pat. No. 8,821,312, which is a continuation-in-part of application No. 12/791,025, filed on Jun. 1, 2010, now Pat. No. 8,235,844.

(56)

References Cited

U.S. PATENT DOCUMENTS

727,819 A	5/1903	Mattern	4,214,754 A	7/1980	Zebelean
819,900 A	5/1906	Martin	D256,709 S	9/1980	Reid, Jr. et al.
1,133,129 A	3/1915	Govan	4,247,105 A	1/1981	Jeghers
1,518,316 A	12/1924	Ellingham	4,262,562 A	4/1981	MacNeill
1,526,438 A	2/1925	Scott	D259,698 S	6/1981	MacNeill
1,538,312 A	5/1925	Beat	4,322,083 A	3/1982	Imai
1,592,463 A	7/1926	Marker	4,340,229 A	7/1982	Stuff, Jr.
1,658,581 A	2/1928	Tobia	4,398,965 A	8/1983	Campau
1,704,119 A	3/1929	Buhrke	4,411,430 A	10/1983	Dian
1,970,409 A	8/1934	Wiedemann	4,423,874 A	1/1984	Stuff, Jr.
2,004,968 A	6/1935	Young	4,431,192 A	2/1984	Stuff, Jr.
2,034,936 A	3/1936	Barnhart	4,432,549 A	2/1984	Zebelean
2,041,676 A	5/1936	Gallagher	4,438,931 A	3/1984	Motomiya
D107,007 S	11/1937	Cashmore	4,471,961 A	9/1984	Masghati et al.
2,198,981 A	4/1940	Sullivan	4,489,945 A	12/1984	Kobayashi
2,214,356 A	9/1940	Wettlaufer	4,527,799 A	7/1985	Solheim
2,225,930 A	12/1940	Sexton	4,530,505 A	7/1985	Stuff
2,328,583 A	9/1943	Reach	D284,346 S	6/1986	Masters
2,332,342 A	10/1943	Reach	4,592,552 A	6/1986	Garber
2,360,364 A	10/1944	Reach	4,602,787 A	7/1986	Sugioka et al.
2,375,249 A	5/1945	Richer	4,607,846 A	8/1986	Perkins
2,460,435 A	2/1949	Schaffler	D285,473 S	9/1986	Flood
2,681,523 A	6/1954	Sellers	4,712,798 A	12/1987	Preato
2,968,486 A	1/1961	Jackson	4,730,830 A	3/1988	Tilley
3,064,980 A	11/1962	Steiner	4,736,093 A	4/1988	Braly
3,084,940 A	4/1963	Cissel	4,754,974 A	7/1988	Kobayashi
3,085,804 A	4/1963	Pieper	4,754,977 A	7/1988	Sahm
3,166,320 A	1/1965	Onions	4,762,322 A	8/1988	Molitor et al.
3,466,047 A	9/1969	Rodia et al.	4,787,636 A	11/1988	Honma
3,486,755 A	12/1969	Hodge	4,795,159 A	1/1989	Nagamoto
3,556,533 A	1/1971	Hollis	4,803,023 A	2/1989	Enomoto et al.
3,589,731 A	6/1971	Chancellor	4,809,983 A	3/1989	Langert
3,606,327 A	9/1971	Gorman	4,852,880 A	8/1989	Kobayashi
3,610,630 A	10/1971	Glover	4,867,457 A	9/1989	Lowe
3,652,094 A	3/1972	Glover	4,867,458 A	9/1989	Sumikawa et al.
3,672,419 A	6/1972	Fischer	4,869,507 A	9/1989	Sahm
3,692,306 A	9/1972	Glover	4,881,739 A	11/1989	Garcia
3,743,297 A	7/1973	Dennis	4,890,840 A	1/1990	Kobayashi
3,860,244 A	1/1975	Cosby	4,895,367 A	1/1990	Kajita et al.
3,893,672 A	7/1975	Schonher	4,895,371 A	1/1990	Bushner
3,897,066 A	7/1975	Belmont	4,915,558 A	4/1990	Muller
3,961,796 A	6/1976	Thompson	4,919,428 A	4/1990	Perkins
3,970,236 A	7/1976	Rogers	D307,783 S	5/1990	Iinuma
3,976,299 A	8/1976	Lawrence et al.	4,962,932 A	10/1990	Anderson
3,979,122 A	9/1976	Belmont	4,994,515 A	2/1991	Washiyama et al.
3,979,123 A	9/1976	Belmont	5,006,023 A	4/1991	Kaplan
3,985,363 A	10/1976	Jepson et al.	5,020,950 A	6/1991	Ladouceur
3,997,170 A	12/1976	Goldberg	5,028,049 A	7/1991	McKeighen
4,008,896 A	2/1977	Gordos	5,039,267 A	8/1991	Wollar
4,027,885 A	6/1977	Rogers	5,042,806 A	8/1991	Helmstetter
4,043,563 A	8/1977	Churchward	5,050,879 A	9/1991	Sun et al.
4,052,075 A	10/1977	Daly	5,058,895 A	10/1991	Igarashi
4,065,133 A	12/1977	Gordos	5,076,585 A	12/1991	Bouquet
4,076,254 A	2/1978	Nygren	D323,035 S	1/1992	Yang
4,077,633 A	3/1978	Studen	5,078,400 A	1/1992	Desbiolles et al.
4,085,934 A	4/1978	Churchward	5,092,599 A	3/1992	Okumoto et al.
4,121,832 A	10/1978	Ebbing	5,116,054 A	5/1992	Johnson
4,139,196 A	2/1979	Riley	5,121,922 A	6/1992	Harsh, Sr.
4,147,349 A	4/1979	Jeghers	5,122,020 A	6/1992	Bedi
4,150,702 A	4/1979	Holmes	5,172,913 A	12/1992	Bouquet
4,165,076 A	8/1979	Celia	5,190,289 A	3/1993	Nagai et al.
4,189,976 A	2/1980	Becker	5,193,810 A	3/1993	Antonious
4,193,601 A	3/1980	Reid, Jr. et al.	5,221,086 A	6/1993	Antonious
			5,232,224 A	8/1993	Zeider
			5,244,210 A	9/1993	Au
			5,251,901 A	10/1993	Solheim et al.
			5,253,869 A	10/1993	Dingle et al.
			5,255,919 A	10/1993	Johnson
			D343,558 S	1/1994	Latraverse et al.
			5,297,794 A	3/1994	Lu
			5,301,944 A	4/1994	Koehler
			5,306,008 A	4/1994	Kinoshita
			5,312,106 A	5/1994	Cook
			5,316,305 A	5/1994	McCabe
			5,318,297 A	6/1994	Davis et al.
			5,320,005 A	6/1994	Hsiao
			5,328,176 A	7/1994	Lo
			5,340,106 A	8/1994	Ravaris
			5,346,216 A	9/1994	Aizawa

(56)

References Cited

U.S. PATENT DOCUMENTS

5,346,217 A	9/1994	Tsuchiya et al.	5,788,587 A	8/1998	Tseng
D351,441 S	10/1994	Iinuma et al.	5,797,807 A	8/1998	Moore
5,385,348 A	1/1995	Wargo	5,798,587 A	8/1998	Lee
5,395,113 A	3/1995	Antonious	D397,750 S	9/1998	Frazetta
D357,290 S	4/1995	Viollaz et al.	RE35,955 E	11/1998	Lu
5,410,798 A	5/1995	Lo	5,833,551 A	11/1998	Vincent et al.
5,419,556 A	5/1995	Take	D402,726 S	12/1998	McCabe et al.
5,421,577 A	6/1995	Kobayashi	D403,037 S	12/1998	Stone et al.
5,429,365 A	7/1995	McKeighen	5,851,160 A	12/1998	Rugge et al.
5,439,222 A	8/1995	Kranenberg	D405,488 S	2/1999	Burrows
5,439,223 A	8/1995	Kobayashi	5,876,293 A	3/1999	Musty
5,441,274 A	8/1995	Clay	5,885,166 A	3/1999	Shiraishi
5,447,309 A	9/1995	Vincent	5,890,971 A	4/1999	Shiraishi
5,449,260 A	9/1995	Whittle	D409,463 S	5/1999	McMullin
D363,750 S	10/1995	Reed	5,908,356 A	6/1999	Nagamoto
D365,615 S	12/1995	Shimatani	5,911,638 A	6/1999	Parente et al.
D366,508 S	1/1996	Hutin	5,913,735 A	6/1999	Kenmi
5,482,280 A	1/1996	Yamawaki	5,916,042 A	6/1999	Reimers
5,484,155 A	1/1996	Yamawaki et al.	D412,547 S	8/1999	Fong
5,492,327 A	2/1996	Biafore, Jr.	5,935,019 A	8/1999	Yamamoto
5,511,786 A	4/1996	Antonious	5,935,020 A	8/1999	Stites et al.
5,518,243 A	5/1996	Redman	5,941,782 A	8/1999	Cook
5,533,730 A	7/1996	Ruvang	D413,952 S	9/1999	Oyer
D372,512 S	8/1996	Simmons	5,947,840 A	9/1999	Ryan
5,544,884 A	8/1996	Hardman	5,954,595 A	9/1999	Antonious
5,547,188 A	8/1996	Dumontier et al.	5,967,905 A	10/1999	Nakahara et al.
5,558,332 A	9/1996	Cook	5,971,867 A	10/1999	Galy
D375,130 S	10/1996	Hlinka et al.	5,976,033 A	11/1999	Takeda
5,564,705 A	10/1996	Kobayashi et al.	5,997,415 A	12/1999	Wood
5,571,053 A	11/1996	Lane	6,001,029 A	12/1999	Kobayashi
5,573,467 A	11/1996	Chou et al.	6,007,433 A	12/1999	Helmstetter et al.
5,575,723 A	11/1996	Take et al.	6,015,354 A	1/2000	Ahn et al.
5,582,553 A	12/1996	Ashcraft et al.	6,017,177 A	1/2000	Lanham
5,584,770 A	12/1996	Jensen	6,019,686 A	2/2000	Gray
D377,509 S	1/1997	Katayama	6,023,891 A	2/2000	Robertson et al.
5,599,243 A	2/1997	Kobayashi	6,027,415 A	2/2000	Takeda
5,613,917 A	3/1997	Kobayashi et al.	6,032,677 A	3/2000	Blechman et al.
D378,770 S	4/1997	Hlinka et al.	6,033,318 A	3/2000	Drajan, Jr. et al.
5,616,088 A	4/1997	Aizawa et al.	6,033,319 A	3/2000	Farrar
5,620,379 A	4/1997	Borys	6,033,321 A	3/2000	Yamamoto
5,624,331 A	4/1997	Lo et al.	6,042,486 A	3/2000	Gallagher
5,629,475 A	5/1997	Chastonay	6,048,278 A *	4/2000	Meyer A63B 53/0466 473/345
5,632,694 A	5/1997	Lee	6,056,649 A	5/2000	Imai
5,632,695 A	5/1997	Hlinka et al.	6,062,988 A	5/2000	Yamamoto
5,645,495 A *	7/1997	Saso A63B 53/04 473/345	6,074,308 A	6/2000	Domas
D382,612 S	8/1997	Oyer	6,077,171 A	6/2000	Yoneyama
5,658,206 A	8/1997	Antonious	6,080,069 A	6/2000	Long
5,669,826 A	9/1997	Chang et al.	6,083,115 A	7/2000	King
5,669,827 A	9/1997	Nagamoto	6,086,485 A	7/2000	Hamada et al.
5,681,228 A	10/1997	Mikame et al.	6,089,994 A	7/2000	Sun
5,683,309 A	11/1997	Reimers	6,093,113 A	7/2000	Mertens
5,688,189 A	11/1997	Bland	6,123,627 A	9/2000	Antonious
5,695,412 A	12/1997	Cook	6,139,445 A	10/2000	Werner et al.
5,700,208 A	12/1997	Nelms	6,146,286 A	11/2000	Masuda
5,709,613 A	1/1998	Sheraw	6,149,533 A	11/2000	Finn
5,718,641 A	2/1998	Lin	6,162,132 A	12/2000	Yoneyama
5,720,674 A	2/1998	Galy	6,162,133 A	12/2000	Peterson
D392,354 S	3/1998	Burrows	6,168,537 B1	1/2001	Ezawa
D392,526 S	3/1998	Nicely	6,171,204 B1	1/2001	Starry
D394,688 S	5/1998	Fox	6,186,905 B1	2/2001	Kosmatka
5,746,664 A	5/1998	Reynolds, Jr.	6,190,267 B1	2/2001	Marlowe et al.
5,749,795 A *	5/1998	Schmidt A63B 60/52 473/329	6,193,614 B1	2/2001	Sasamoto et al.
5,755,627 A	5/1998	Yamazaki et al.	6,203,448 B1	3/2001	Yamamoto
5,759,114 A	6/1998	Bluto et al.	6,206,789 B1	3/2001	Takeda
5,762,567 A	6/1998	Antonious	6,206,790 B1	3/2001	Kubica et al.
5,766,091 A	6/1998	Humphrey et al.	6,210,290 B1	4/2001	Erickson et al.
5,766,095 A	6/1998	Antonious	6,217,461 B1	4/2001	Galy
5,769,737 A	6/1998	Holladay et al.	6,238,303 B1	5/2001	Fite
5,772,527 A	6/1998	Liu	6,244,974 B1	6/2001	Hanberry, Jr.
5,776,010 A	7/1998	Helmstetter et al.	6,248,025 B1	6/2001	Murphey et al.
5,776,011 A	7/1998	Su et al.	6,254,494 B1	7/2001	Hasebe et al.
5,785,608 A	7/1998	Collins	6,264,414 B1	7/2001	Hartmann et al.
5,785,609 A	7/1998	Sheets et al.	6,270,422 B1	8/2001	Fisher
			6,277,032 B1	8/2001	Smith
			6,290,609 B1	9/2001	Takeda
			6,296,579 B1	10/2001	Robinson
			6,299,547 B1	10/2001	Kosmatka
			6,306,048 B1	10/2001	McCabe et al.

(56)

References Cited

U.S. PATENT DOCUMENTS

D532,474 S	11/2006	Bennett et al.	D600,767 S	9/2009	Horacek et al.	
7,137,905 B2	11/2006	Kohno	7,582,024 B2 *	9/2009	Shear	A63B 60/52 473/332
7,137,906 B2	11/2006	Tsunoda et al.	7,591,737 B2	9/2009	Gibbs et al.	
7,137,907 B2	11/2006	Gibbs et al.	7,591,738 B2	9/2009	Beach et al.	
7,140,974 B2	11/2006	Chao et al.	D604,784 S	11/2009	Horacek et al.	
7,144,334 B2	12/2006	Ehlers et al.	7,621,823 B2	11/2009	Beach et al.	
7,147,572 B2	12/2006	Kohno	7,628,707 B2	12/2009	Beach et al.	
7,147,573 B2	12/2006	Dimarco	7,632,194 B2	12/2009	Beach et al.	
7,153,220 B2	12/2006	Lo	7,632,196 B2 *	12/2009	Reed	A63B 53/0466 473/324
7,156,750 B2	1/2007	Nishitani et al.	D612,440 S	3/2010	Oldknow	
7,163,468 B2	1/2007	Gibbs et al.	7,674,187 B2	3/2010	Cackett et al.	
7,163,470 B2	1/2007	Galloway et al.	7,674,189 B2	3/2010	Beach et al.	
7,166,038 B2	1/2007	Williams et al.	7,682,264 B2	3/2010	Hsu et al.	
7,166,040 B2	1/2007	Hoffman et al.	D616,952 S	6/2010	Oldknow	
7,166,041 B2	1/2007	Evans	7,731,603 B2	6/2010	Beach et al.	
7,169,058 B1	1/2007	Fagan	7,744,484 B1	6/2010	Chao	
7,169,060 B2	1/2007	Stevens et al.	7,753,806 B2	7/2010	Beach et al.	
D536,402 S	2/2007	Kawami	7,771,291 B1	8/2010	Willett et al.	
7,179,034 B2	2/2007	Ladouceur	7,789,773 B2	9/2010	Rae et al.	
D538,866 S	3/2007	Kim et al.	7,857,711 B2 *	12/2010	Shear	A63B 53/04 473/332
7,186,190 B1	3/2007	Beach et al.	7,857,713 B2	12/2010	Yokota	
7,189,169 B2	3/2007	Billings	7,887,434 B2	2/2011	Beach et al.	
7,198,575 B2	4/2007	Beach et al.	7,922,604 B2	4/2011	Roach et al.	
7,201,669 B2	4/2007	Stites et al.	7,927,229 B2	4/2011	Jertson et al.	
D543,600 S	5/2007	Oldknow	7,946,931 B2	5/2011	Oyama	
7,211,005 B2	5/2007	Lindsay	8,012,038 B1	9/2011	Beach et al.	
7,211,006 B2 *	5/2007	Chang	8,012,039 B2	9/2011	Greaney et al.	
		A63B 60/52 473/345	8,083,609 B2 *	12/2011	Burnett	A63B 53/0466 473/345
7,214,143 B2	5/2007	Deshmukh	8,088,021 B2 *	1/2012	Albertsen	A63B 53/0466 473/345
7,223,180 B2	5/2007	Willett et al.	8,096,897 B2	1/2012	Beach et al.	
D544,939 S	6/2007	Radcliffe et al.	8,118,689 B2	2/2012	Beach et al.	
7,226,366 B2	6/2007	Galloway	8,157,672 B2	4/2012	Greaney et al.	
7,250,007 B2	7/2007	Lu	8,167,737 B2	5/2012	Oyama	
7,255,654 B2	8/2007	Murphy et al.	8,187,119 B2	5/2012	Rae et al.	
7,267,620 B2	9/2007	Chao et al.	8,206,244 B2	6/2012	Honea et al.	
7,273,423 B2	9/2007	Imamoto	8,235,844 B2 *	8/2012	Albertsen	A63B 60/00 473/345
D552,701 S	10/2007	Ruggiero et al.	8,241,143 B2 *	8/2012	Albertsen	A63B 53/0466 473/345
7,278,927 B2	10/2007	Gibbs et al.	8,241,144 B2 *	8/2012	Albertsen	A63B 53/0466 473/345
7,281,985 B2	10/2007	Galloway	8,292,756 B2	10/2012	Greaney et al.	
D554,720 S	11/2007	Barez et al.	8,353,786 B2	1/2013	Beach et al.	
7,291,074 B2	11/2007	Kouno et al.	8,403,771 B1	3/2013	Rice et al.	
7,294,064 B2 *	11/2007	Tsurumaki	8,430,763 B2	4/2013	Beach et al.	
		A63B 53/0466 473/345	8,435,134 B2	5/2013	Tang et al.	
7,294,065 B2	11/2007	Liang et al.	8,496,544 B2	7/2013	Curtis et al.	
7,297,072 B2	11/2007	Meyer et al.	8,517,860 B2 *	8/2013	Albertsen	A63B 53/0466 473/332
7,303,488 B2	12/2007	Kakiuchi et al.	8,574,094 B2	11/2013	Nicolette et al.	
7,306,527 B2	12/2007	Williams et al.	8,591,351 B2 *	11/2013	Albertsen	A63B 53/04 473/345
7,318,782 B2	1/2008	Imamoto et al.	8,616,999 B2	12/2013	Greaney et al.	
D561,286 S	2/2008	Morales et al.	8,663,029 B2	3/2014	Beach et al.	
7,338,387 B2	3/2008	Nycum et al.	8,696,491 B1	4/2014	Myers	
7,344,452 B2	3/2008	Imamoto et al.	8,721,471 B2 *	5/2014	Albertsen	A63B 60/00 473/328
7,347,795 B2	3/2008	Yangishi et al.	8,753,222 B2	6/2014	Beach et al.	
D567,317 S	4/2008	Jertson et al.	8,821,312 B2 *	9/2014	Burnett	A63B 60/52 473/345
7,354,355 B2	4/2008	Tavares et al.	8,827,831 B2 *	9/2014	Burnett	A63B 60/50 473/332
7,377,860 B2	5/2008	Breier et al.	8,834,289 B2 *	9/2014	de la Cruz	A63B 60/00 473/332
7,390,266 B2	6/2008	Gwon	8,900,069 B2	12/2014	Beach et al.	
7,407,447 B2	8/2008	Beach et al.	8,956,240 B2	2/2015	Beach et al.	
D577,090 S	9/2008	Pergande et al.	8,956,242 B2 *	2/2015	Rice	A63B 60/54 473/332
7,419,441 B2	9/2008	Hoffman et al.	9,011,267 B2 *	4/2015	Burnett	A63B 53/04 473/332
D579,507 S	10/2008	Llewellyn et al.	9,089,749 B2 *	7/2015	Burnett	A63B 53/0466
7,438,649 B2	10/2008	Ezaki et al.	9,101,808 B2 *	8/2015	Stites	A63B 60/00
7,448,963 B2	11/2008	Beach et al.	9,168,428 B2 *	10/2015	Albertsen	A63B 53/047
7,470,201 B2	12/2008	Nakahara et al.				
D584,784 S	1/2009	Barez et al.				
D588,223 S	3/2009	Kuan				
7,500,924 B2	3/2009	Yokota				
7,520,820 B2	4/2009	Dimarco				
D592,723 S	5/2009	Chau et al.				
7,530,901 B2	5/2009	Imamoto et al.				
7,530,904 B2	5/2009	Beach et al.				
7,540,811 B2	6/2009	Beach et al.				
7,563,175 B2	7/2009	Nishitani et al.				
7,568,985 B2	8/2009	Beach et al.				
7,572,193 B2	8/2009	Yokota				
7,578,753 B2	8/2009	Beach et al.				

(56)

References Cited

U.S. PATENT DOCUMENTS

9,168,434 B2* 10/2015 Burnett A63B 53/04
 9,174,101 B2 11/2015 Burnett et al.
 9,265,993 B2 2/2016 Albertsen et al.
 9,403,069 B2 8/2016 Boyd et al.
 9,566,479 B2* 2/2017 Albertsen A63B 53/0466
 9,610,482 B2* 4/2017 Burnett A63B 53/04
 9,610,483 B2* 4/2017 Burnett A63B 53/0466
 9,656,131 B2* 5/2017 Burnett A63B 53/04
 9,694,255 B2* 7/2017 Oldknow A63B 60/00
 9,950,222 B2* 4/2018 Albertsen A63B 53/04
 9,950,223 B2* 4/2018 Burnett A63B 53/04
 9,956,460 B2 5/2018 Burnett et al.
 10,245,485 B2* 4/2019 Burnett A63B 53/0466
 10,369,429 B2* 8/2019 Burnett A63B 60/52
 10,406,414 B2* 9/2019 Galvan A63B 60/00
 10,556,160 B2* 2/2020 Burnett A63B 53/0466
 10,792,542 B2* 10/2020 Burnett A63B 60/00
 10,843,050 B2* 11/2020 Albertsen A63B 60/00
 11,045,696 B2* 6/2021 Burnett A63B 60/52
 11,351,425 B2* 6/2022 Albertsen A63B 53/0466
 2002/0077195 A1 6/2002 Carr et al.
 2002/0115501 A1 8/2002 Chen
 2002/0183130 A1 12/2002 Pacinella
 2002/0183134 A1 12/2002 Allen et al.
 2003/0013545 A1 1/2003 Vincent et al.
 2003/0036442 A1 2/2003 Chao et al.
 2003/0176238 A1 9/2003 Galloway et al.
 2003/0220154 A1 11/2003 Anelli
 2004/0176180 A1 9/2004 Yamaguchi et al.
 2004/0192463 A1 9/2004 Tsurumaki et al.
 2005/0003905 A1 1/2005 Kim et al.
 2005/0026716 A1 2/2005 Wahl et al.
 2005/0049081 A1 3/2005 Boone
 2005/0119070 A1 6/2005 Kumamoto
 2006/0009305 A1 1/2006 Lindsay
 2006/0052177 A1 3/2006 Nakahara et al.
 2006/0073910 A1 4/2006 Imamoto et al.
 2006/0084525 A1 4/2006 Imamoto et al.
 2006/0094535 A1 5/2006 Cameron
 2006/0116218 A1 6/2006 Burnett et al.
 2006/0281581 A1 12/2006 Yamamoto
 2007/0026961 A1 2/2007 Hou
 2007/0049416 A1 3/2007 Shear
 2007/0082751 A1 4/2007 Lo et al.
 2007/0099726 A1 5/2007 Rife
 2007/0117648 A1 5/2007 Yokota
 2007/0155534 A1 7/2007 Tsai et al.
 2007/0238551 A1 10/2007 Yokota
 2007/0275792 A1 11/2007 Horacek et al.
 2007/0281796 A1 12/2007 Gilbert et al.
 2008/0171612 A1 7/2008 Serrano et al.
 2008/0182681 A1 7/2008 Yokota
 2008/0261715 A1 10/2008 Carter
 2008/0268980 A1 10/2008 Breier et al.
 2008/0268981 A1 10/2008 Evans
 2009/0069114 A1 3/2009 Foster et al.
 2009/0082135 A1 3/2009 Evans et al.
 2009/0181789 A1* 7/2009 Reed A63B 53/0466
 473/328
 2009/0286622 A1 11/2009 Yokota
 2010/0029404 A1 2/2010 Shear
 2010/0113176 A1 5/2010 Boyd et al.
 2010/0248860 A1* 9/2010 Guerrette A63B 53/0475
 473/345
 2011/0021284 A1 1/2011 Stites et al.
 2011/0151997 A1 6/2011 Shear
 2011/0218053 A1 9/2011 Tang et al.
 2011/0294599 A1* 12/2011 Albertsen A63B 53/047
 473/349
 2012/0083362 A1* 4/2012 Albertsen A63B 60/00
 473/345
 2012/0083363 A1* 4/2012 Albertsen A63B 60/00
 473/346
 2012/0135821 A1 5/2012 Boyd et al.

2012/0142452 A1* 6/2012 Burnett A63B 53/0475
 473/345
 2012/0244960 A1 9/2012 Tang et al.
 2012/0270676 A1 10/2012 Burnett et al.
 2012/0277029 A1* 11/2012 Albertsen A63B 53/0466
 473/345
 2012/0277030 A1* 11/2012 Albertsen A63B 53/04
 473/345
 2012/0289361 A1 11/2012 Beach et al.
 2013/0184100 A1 7/2013 Burnett et al.
 2013/0210542 A1 8/2013 Harbert et al.
 2013/0316848 A1* 11/2013 Burnett A63B 60/52
 473/345

FOREIGN PATENT DOCUMENTS

DE 9012884 9/1990
 EP 0470488 2/1992
 EP 0617987 11/1997
 EP 1001175 5/2000
 GB 194823 12/1921
 JP 57-157374 10/1982
 JP 01091876 A2 4/1989
 JP 03049777 A 3/1991
 JP 03151988 A 6/1991
 JP 4180778 A2 6/1992
 JP H05317465 12/1993
 JP H06126004 5/1994
 JP 06182004 A 7/1994
 JP H06238022 8/1994
 JP 06285186 A 10/1994
 JP H06304271 11/1994
 JP 08117365 A 5/1996
 JP H09028844 2/1997
 JP 3035480 3/1997
 JP H09308717 12/1997
 JP H09327534 12/1997
 JP H10192453 7/1998
 JP H10234902 9/1998
 JP H10277187 10/1998
 JP H11114102 4/1999
 JP 11-155982 6/1999
 JP 2000167089 A 6/2000
 JP 2000288131 A 10/2000
 JP 2000296192 10/2000
 JP 2000300701 A 10/2000
 JP 2000342721 A 12/2000
 JP 2000014841 A 1/2001
 JP 2001054595 2/2001
 JP 2001129130 5/2001
 JP 2001170225 6/2001
 JP 2001204856 7/2001
 JP 2001231888 A 8/2001
 JP 2001346918 12/2001
 JP 2002003969 1/2002
 JP 2002017910 1/2002
 JP 2002052099 2/2002
 JP 2002052099 A * 2/2002
 JP 2002052100 2/2002
 JP 2002136625 5/2002
 JP 2002248183 A 9/2002
 JP 2002253706 9/2002
 JP 2003038691 2/2003
 JP 2003052866 2/2003
 JP 2003093554 4/2003
 JP 2003093554 A * 4/2003 A63B 53/0466
 JP 2003126311 5/2003
 JP 2003210621 7/2003
 JP 2003226952 8/2003
 JP 2003524487 8/2003
 JP 2004008409 1/2004
 JP 2004113370 4/2004
 JP 2004174224 6/2004
 JP 2004174224 A * 6/2004 A63B 53/0466
 JP 2004183058 7/2004
 JP 2004222911 8/2004
 JP 2004232397 8/2004
 JP 2004261451 9/2004

(56)

References Cited

FOREIGN PATENT DOCUMENTS

JP	2004265992	9/2004	
JP	2004267438	9/2004	
JP	2004271516	9/2004	
JP	2004275700	10/2004	
JP	2004313762	11/2004	
JP	2004313762	A * 11/2004 A63B 53/0466
JP	2004-351054	12/2004	
JP	2004351173	12/2004	
JP	2004351173	A * 12/2004	
JP	2005028170	2/2005	
JP	2005073736	3/2005	
JP	2005111172	4/2005	
JP	2005137494	6/2005	
JP	2005137788	6/2005	
JP	2005137940	6/2005	
JP	2005193069	7/2005	
JP	2005193069	A * 7/2005	
JP	2005296458	10/2005	
JP	2005296582	10/2005	
JP	2005323978	11/2005	
JP	3819409	9/2006	
JP	2006320493	11/2006	
JP	2007136069	6/2007	
JP	2007136069	A * 6/2007 A63B 53/0466
JP	3996539	10/2007	
JP	4046511	2/2008	
JP	4047682	2/2008	
JP	4128970	7/2008	
JP	2009000281	A 1/2009	
JP	2009000292	1/2009	
JP	2012526634	11/2012	
JP	2013517894	5/2013	
JP	2013255779	12/2013	
JP	5404921	2/2014	
JP	5625048	B 11/2014	
JP	5653457	1/2015	
JP	5827243	12/2015	
JP	6072696	2/2017	
JP	6096892	3/2017	
WO	WO8802642	4/1988	
WO	WO0166199	9/2001	
WO	WO02062501	8/2002	
WO	WO03061773	7/2003	
WO	WO2004043549	5/2004	
WO	WO2005/009543	A2 2/2005	
WO	WO2006044631	4/2006	

OTHER PUBLICATIONS

Adams Golf Speedline F11 Ti 14.5 degree fairway wood (www.bombsquadgolf.com, posted Oct. 18, 2010).

Callaway Golf, World's Straightest Driver: FT-i Driver downloaded from www.callawaygolf.com/ft%2Di/driver.aspx?lang=en on Apr. 5, 2007.

Jackson, Jeff, The Modern Guide to Golf Clubmaking, Ohio: Dynacraft Golf Products, Inc., copyright 1994, p. 237.

Nike Golf, Sasquatch 460, downloaded from www.nike.com/nikegolf/index.htm on Apr. 5, 2007.

Nike Golf, Sasquatch Sumo Squared Driver, downloaded from www.nike.com/nikegolf/index.htm on Apr. 5, 2007.

Office action from the U.S. Patent and Trademark office in the U.S. Appl. No. 12/781,727, dated Aug. 5, 2010.

Taylor Made Golf Company, Inc. Press Release, Burner Fairway Wood, www.tmag.com/media/pressreleases/2007/011807_burner_fairway_rescue.html, Jan. 26, 2007.

Taylor Made Golf Company Inc., R7 460 Drivers, downloaded from www.taylormadegolf.com/product_detail.asp?pID=14section=overview on Apr. 5, 2007.

Titleist 907D1, downloaded from www.tees2greens.com/forum/Uploads/Images/7ade3521-192b-4611-870b-395d.jpg on Feb. 1, 2007.

"Cleveland HiBore Driver Review," http://thesandrip.com, 7 pages, May 19, 2006.

"Invalidity Search Report for Japanese Registered Patent No. 4128970," 4 pp (Nov. 29, 2013).

Office action from the U.S. Patent and Trademark Office in U.S. Appl. No. 13/401,690, dated Feb. 6, 2013.

Office action from the U.S. Patent and Trademark Office in U.S. Appl. No. 13/469,023, dated Jul. 31, 2012.

Office action from the U.S. Patent and Trademark Office in U.S. Appl. No. 13/338,197, dated Jun. 5, 2014.

Office action from the U.S. Patent and Trademark Office in U.S. Appl. No. 13/828,675, dated Jun. 30, 2014.

Restriction Requirement from the U.S. Patent and Trademark Office in U.S. Appl. No. 13/469,031, dated Jun. 5, 2014.

Mike Stachura, "The Hot List", Golf Digest Magazine, Feb. 2004, pp. 82-86.

Mike Stachura, "The Hot List", Golf Digest Magazine, Feb. 2005, pp. 120-130.

Mike Stachura, "The Hot List", Golf Digest Magazine, Feb. 2005, pp. 131-143.

Mike Stachura, "The Hot List", Golf Digest Magazine, Feb. 2006, pp. 122-132.

Mike Stachura, "The Hot List", Golf Digest Magazine, Feb. 2006, pp. 133-143.

Mike Stachura, "The Hot List", Golf Digest Magazine, Feb. 2007, pp. 130-151.

"The Hot List", Golf Digest Magazine, Feb. 2008, pp. 114-139.

Mike Stachura, Stina Sternberg, "Editor's Choices and Gold Medal Drivers", Golf Digest Magazine, Feb. 2010, pp. 95-109.

The Hot List, Golf Digest Magazine, Feb. 2009, pp. 101-127.

International Searching Authority (USPTO), International Search Report and Written Opinion for International Application No. PCT/US2011/038150, dated Sep. 16, 2011, 13 pages.

* cited by examiner

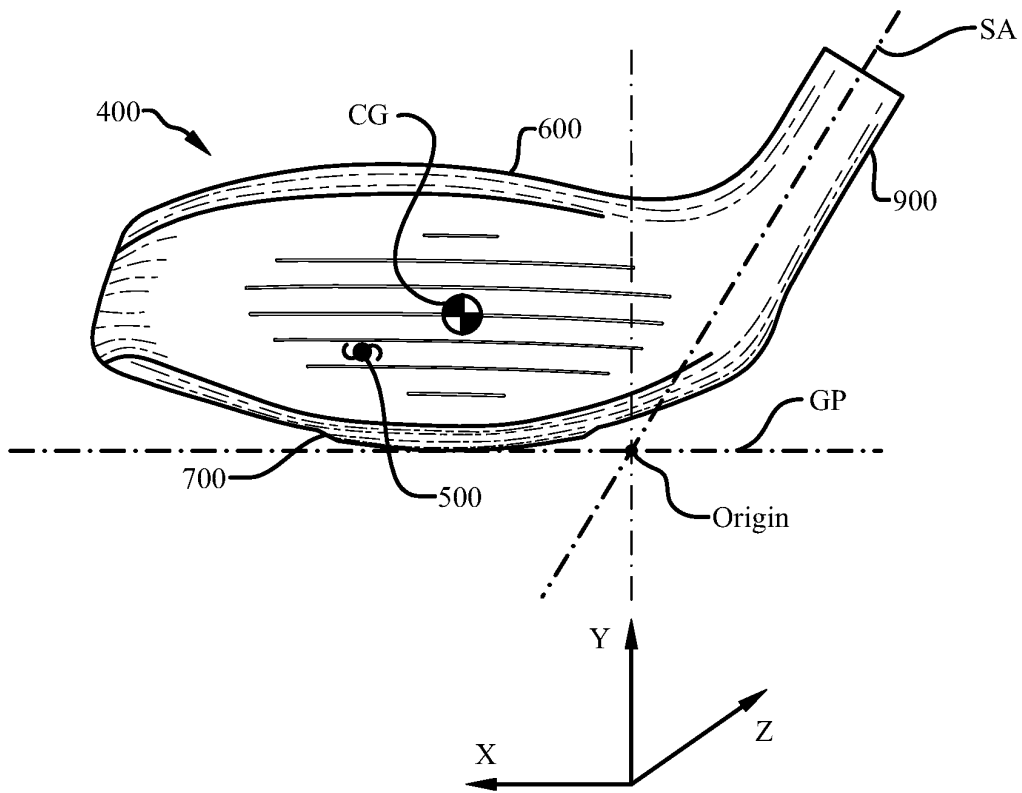


Fig. 1

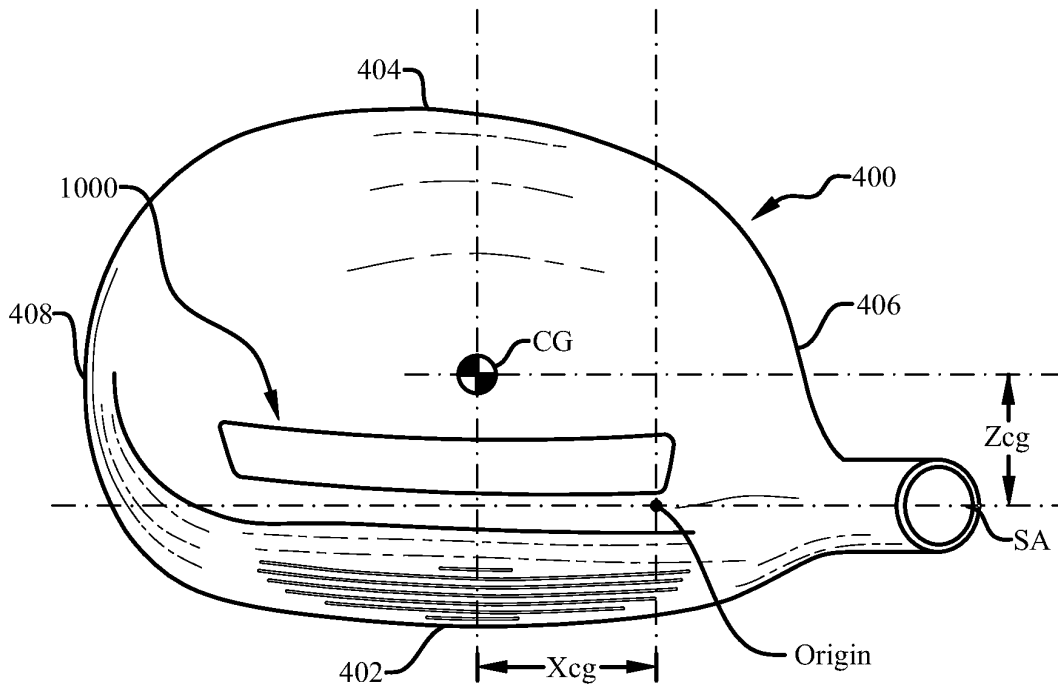


Fig. 2

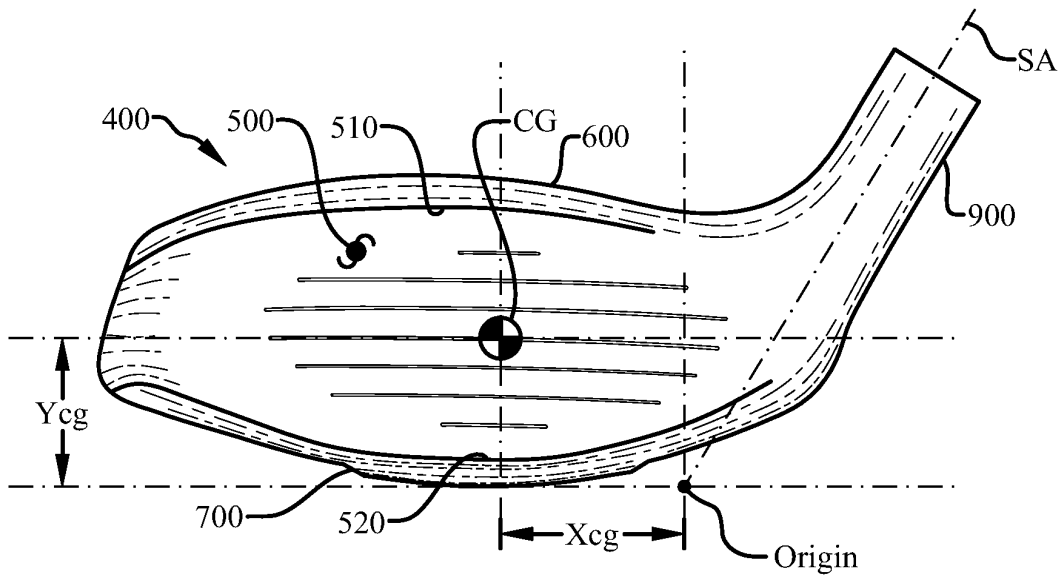


Fig. 3

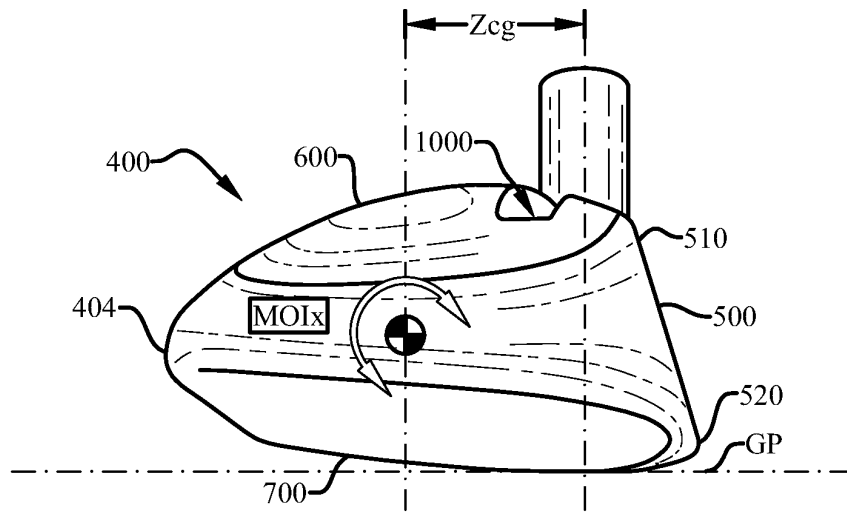


Fig. 4

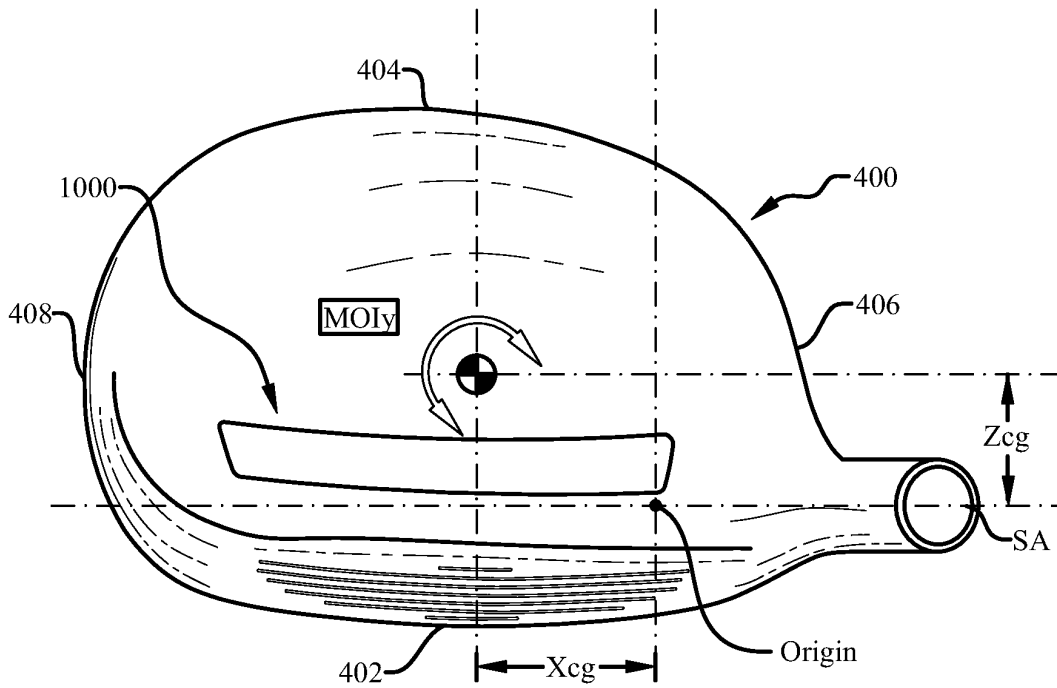


Fig. 5

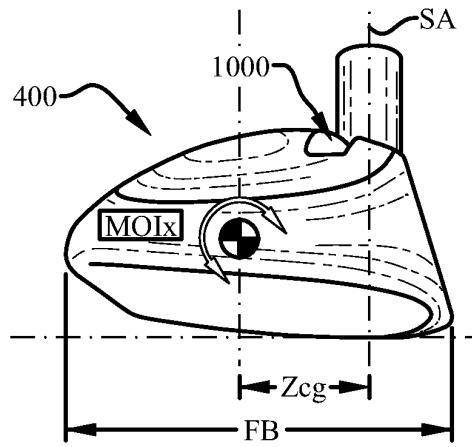


Fig. 6

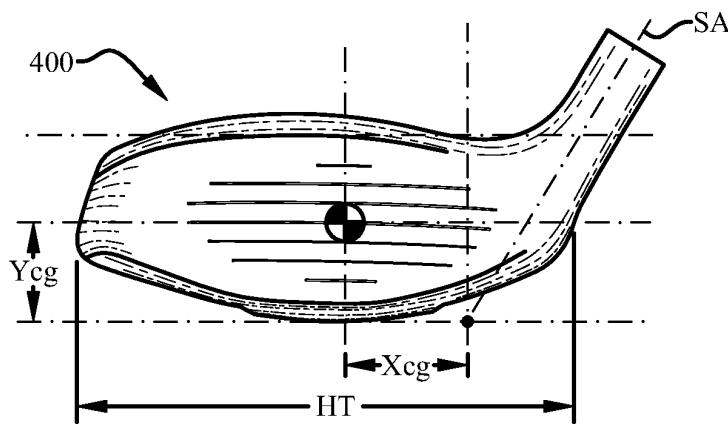


Fig. 7

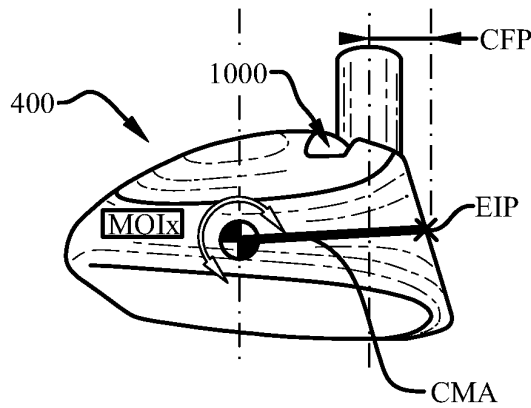


Fig. 8

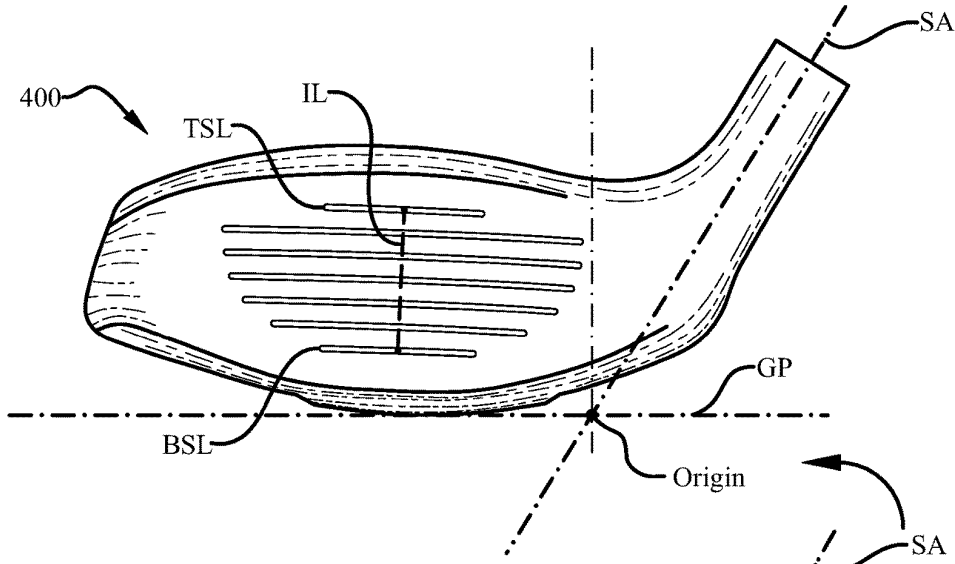


Fig. 9

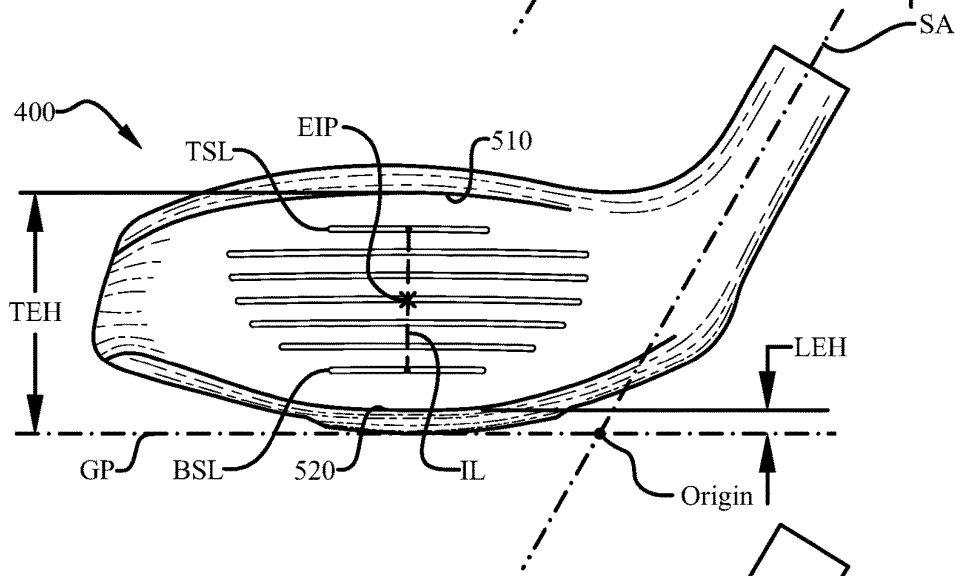


Fig. 10

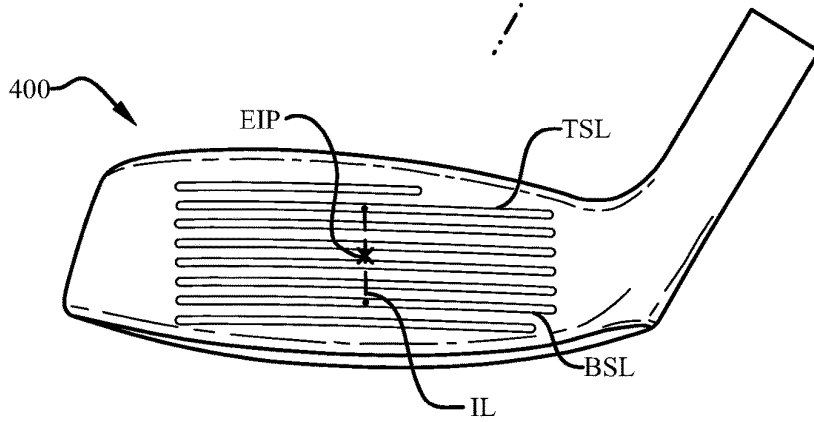


Fig. 11

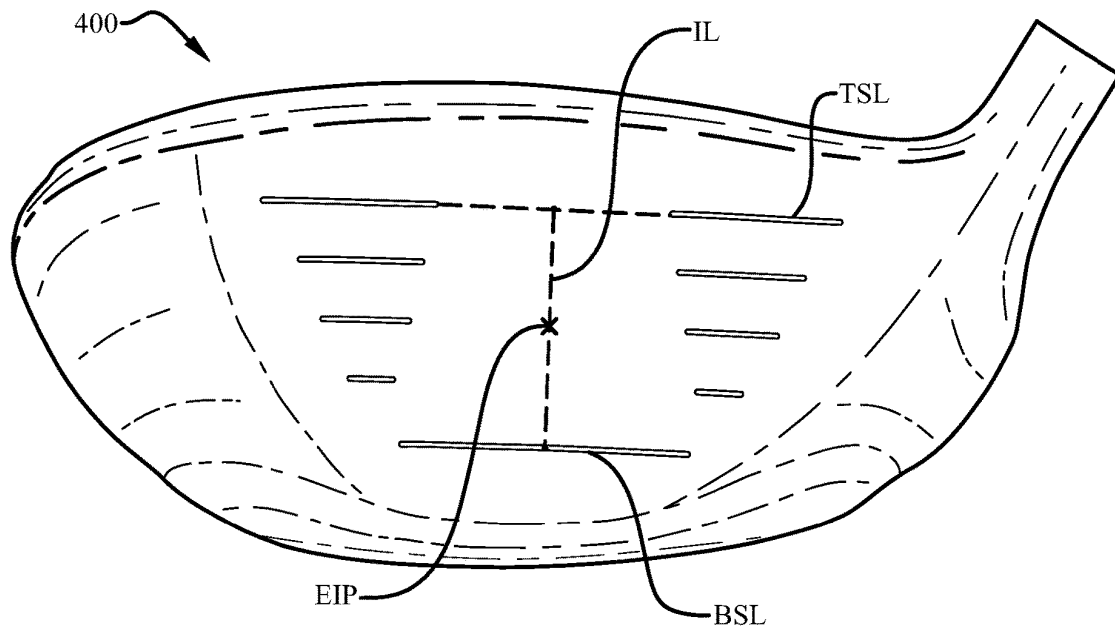


Fig. 12

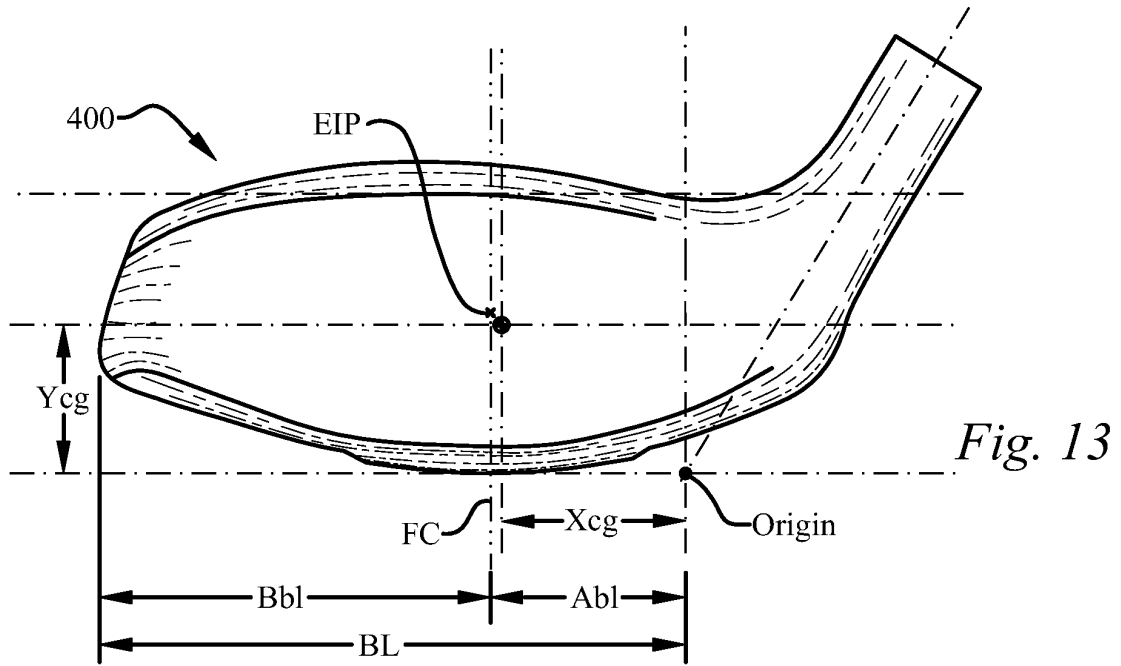


Fig. 13

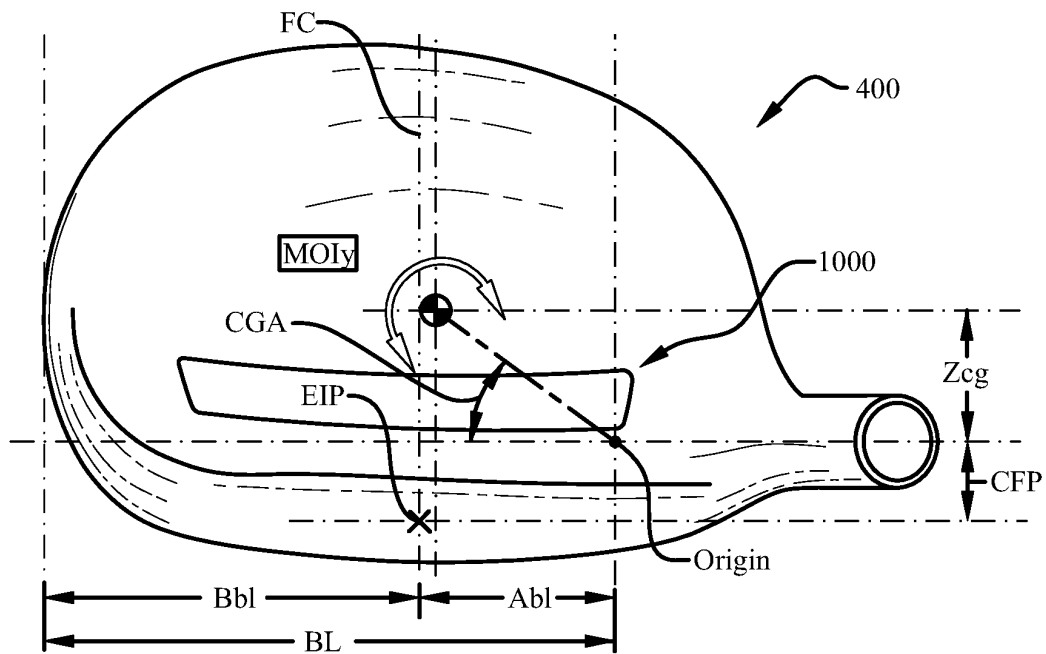


Fig. 14

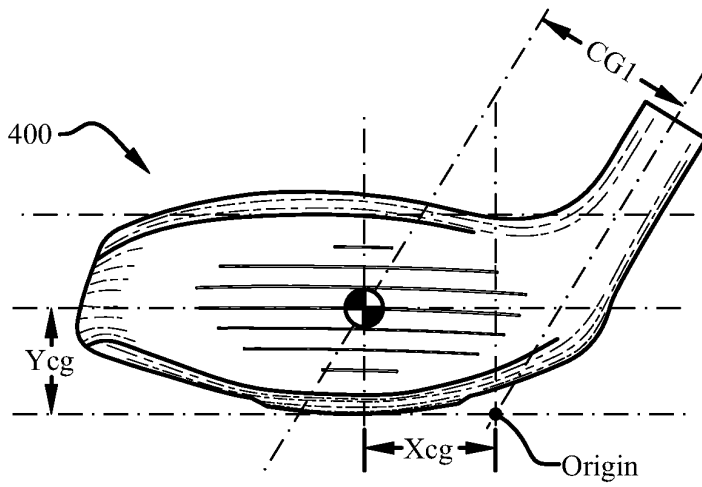


Fig. 15

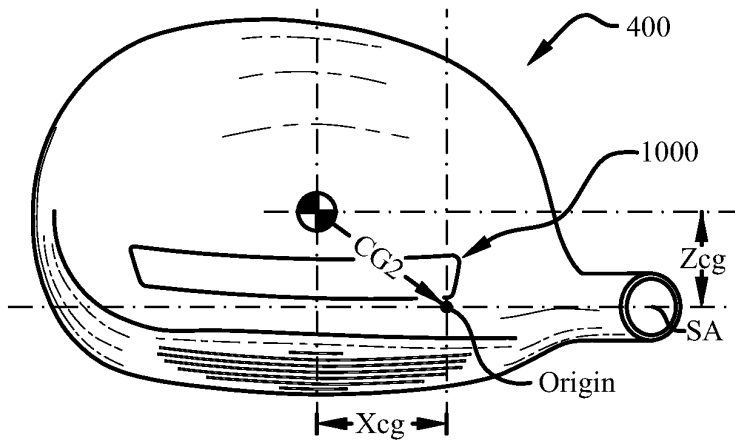


Fig. 16

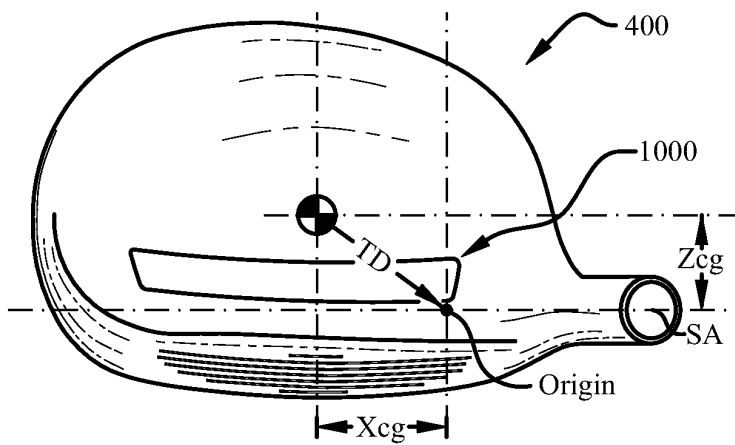


Fig. 17

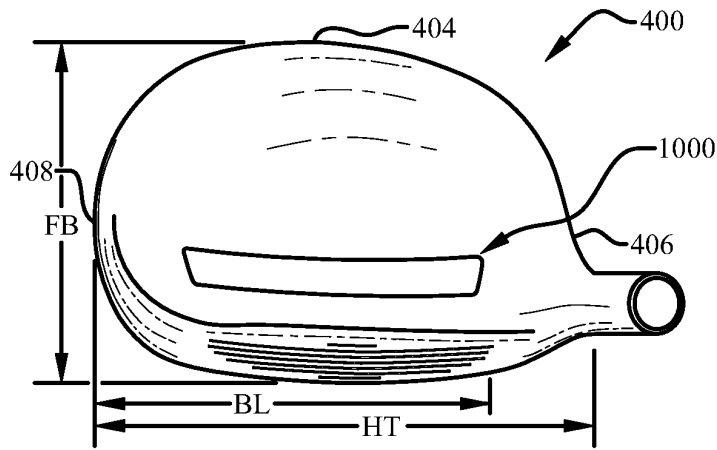


Fig. 18

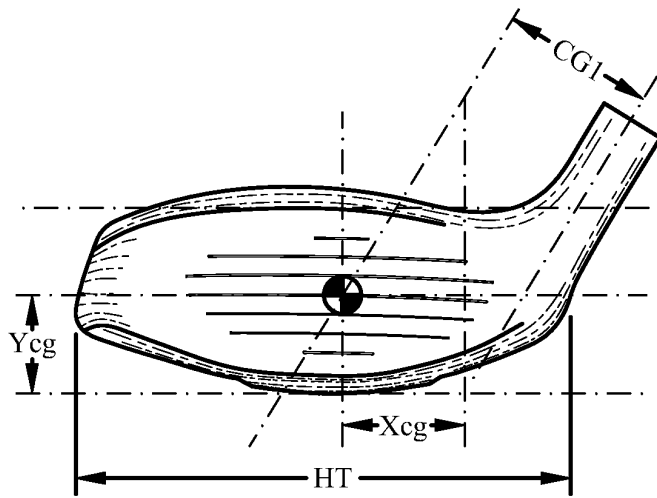


Fig. 19

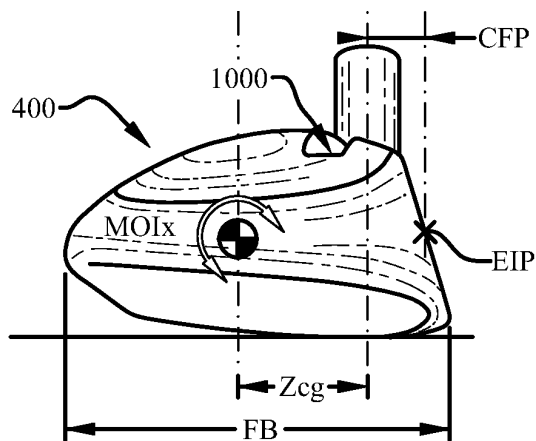


Fig. 20

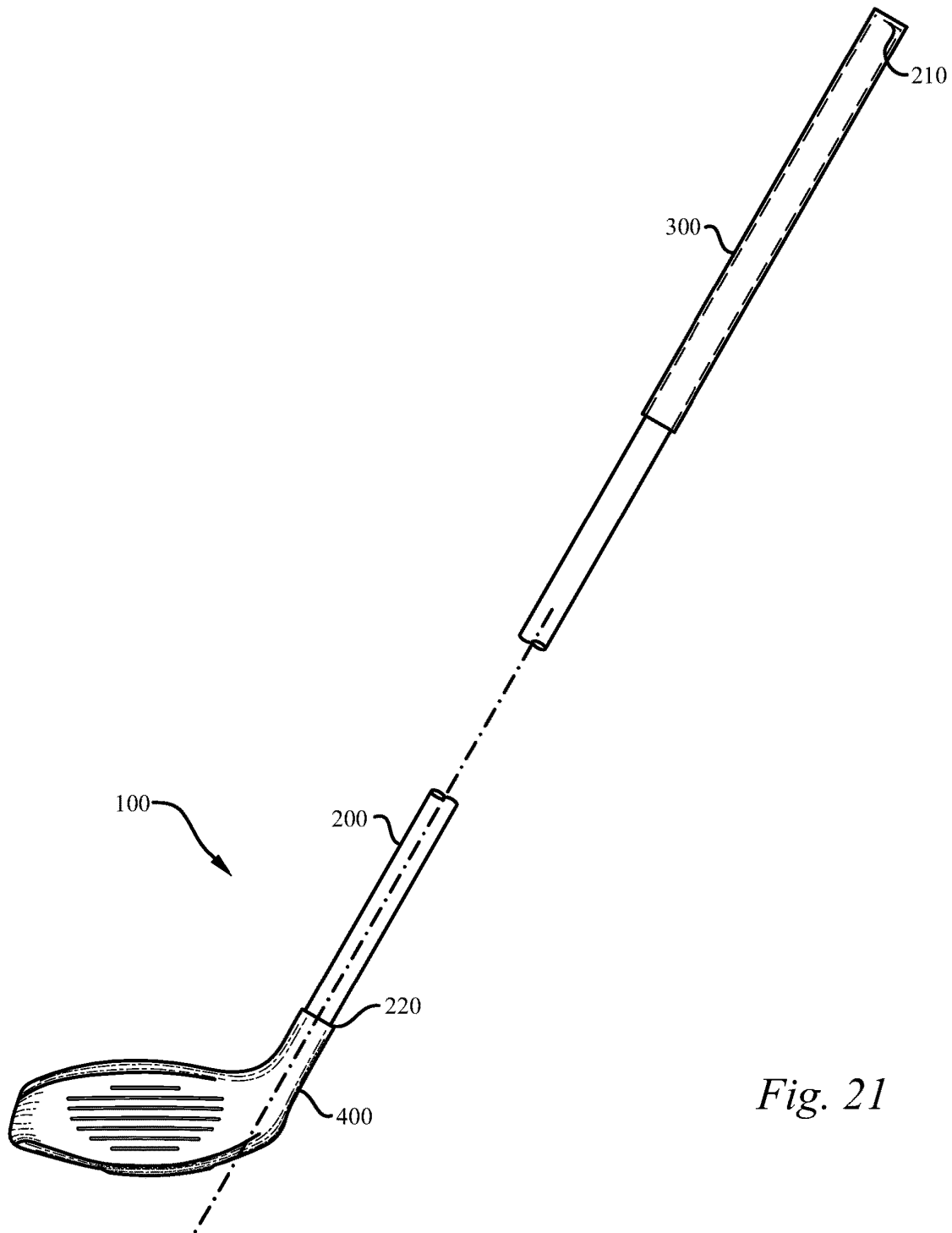


Fig. 21

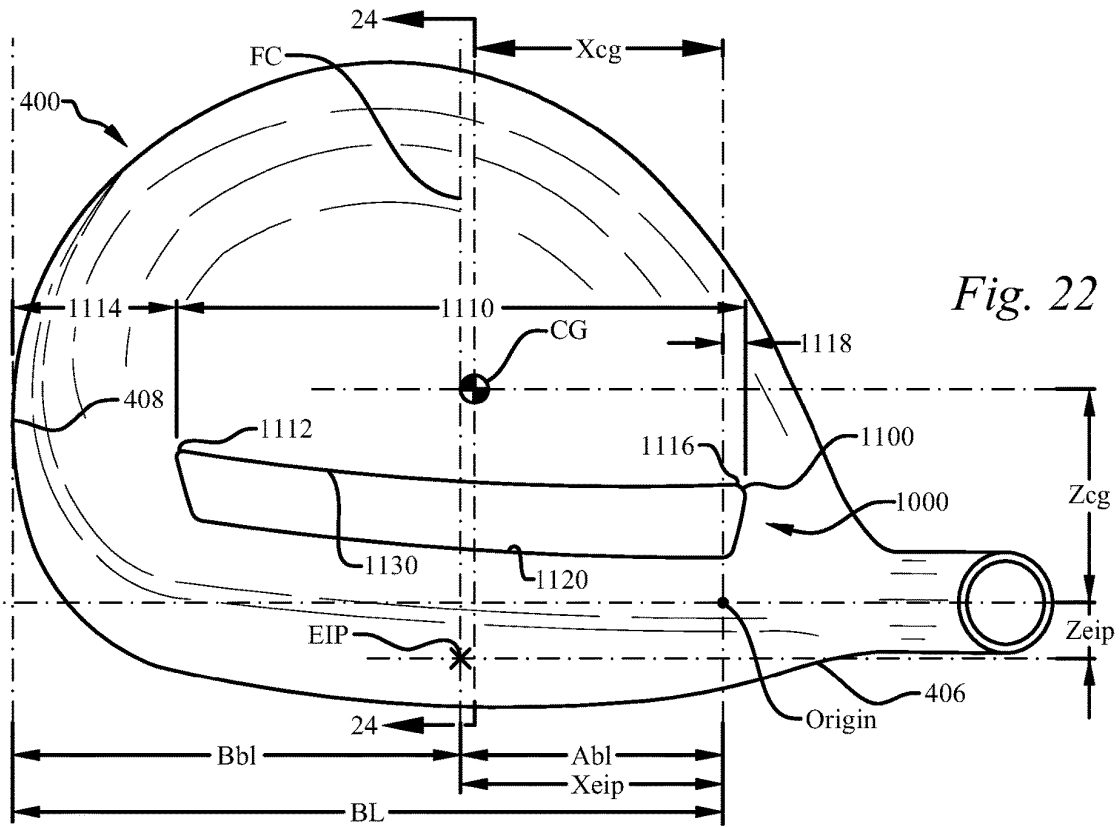


Fig. 22

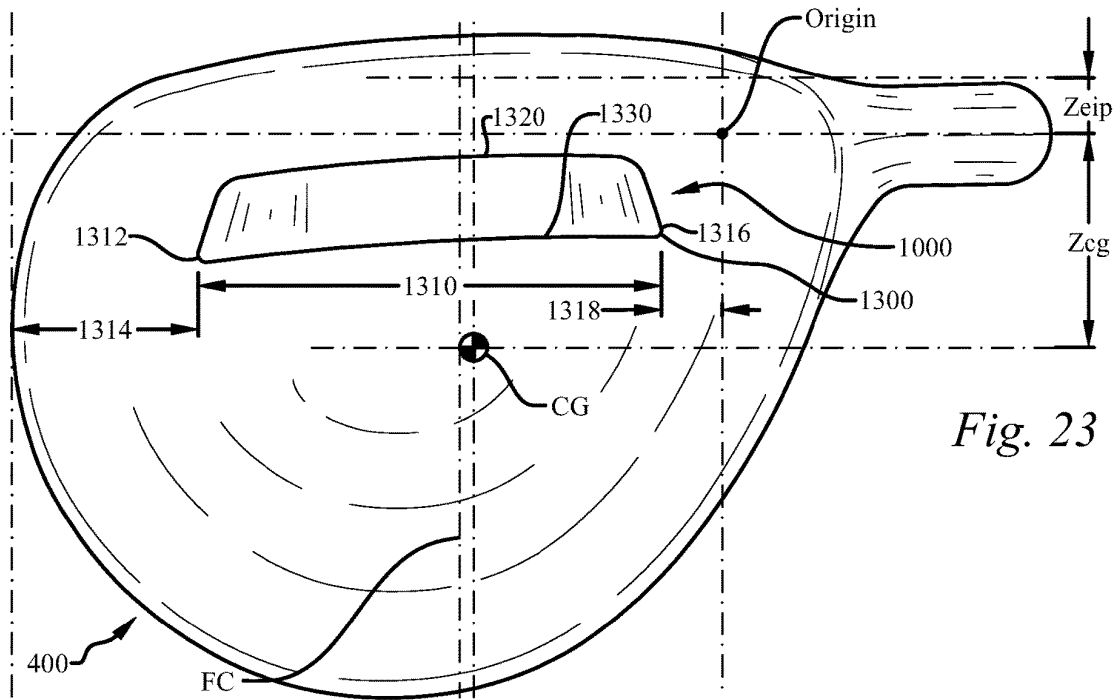


Fig. 23

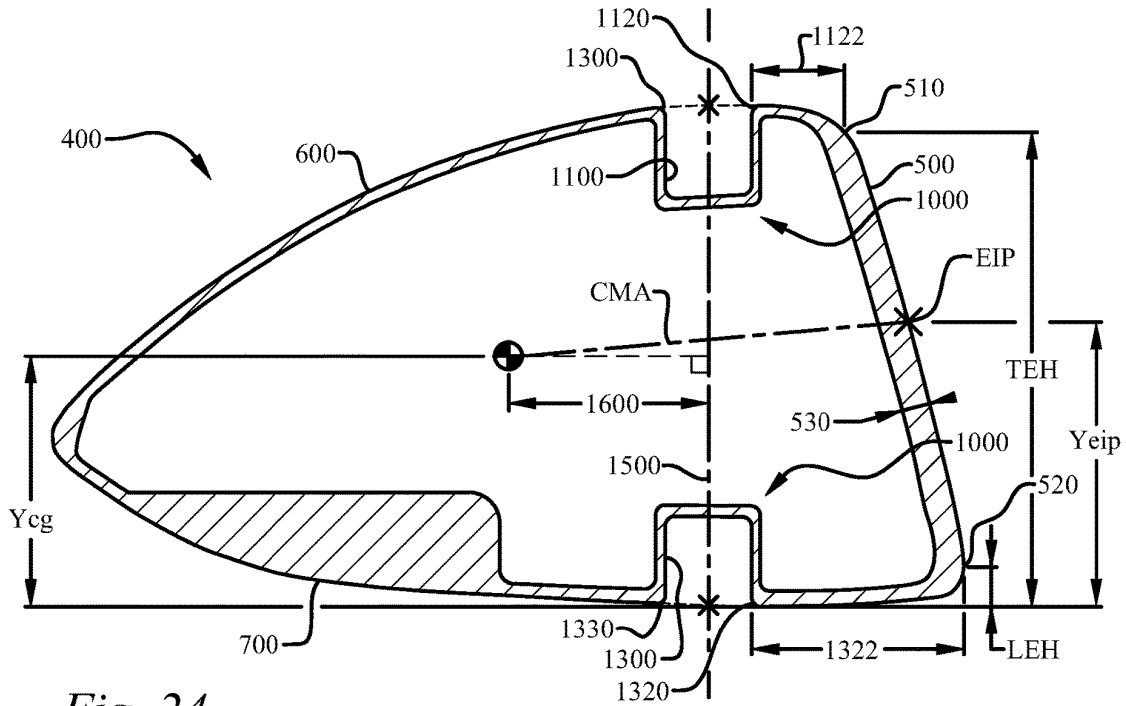


Fig. 24

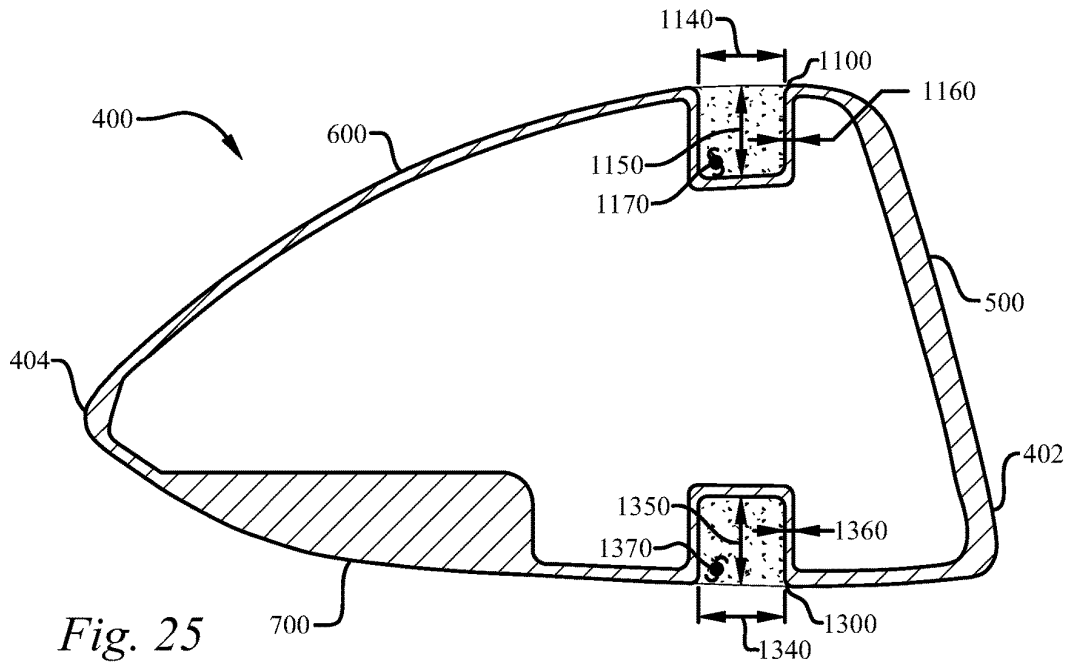


Fig. 25

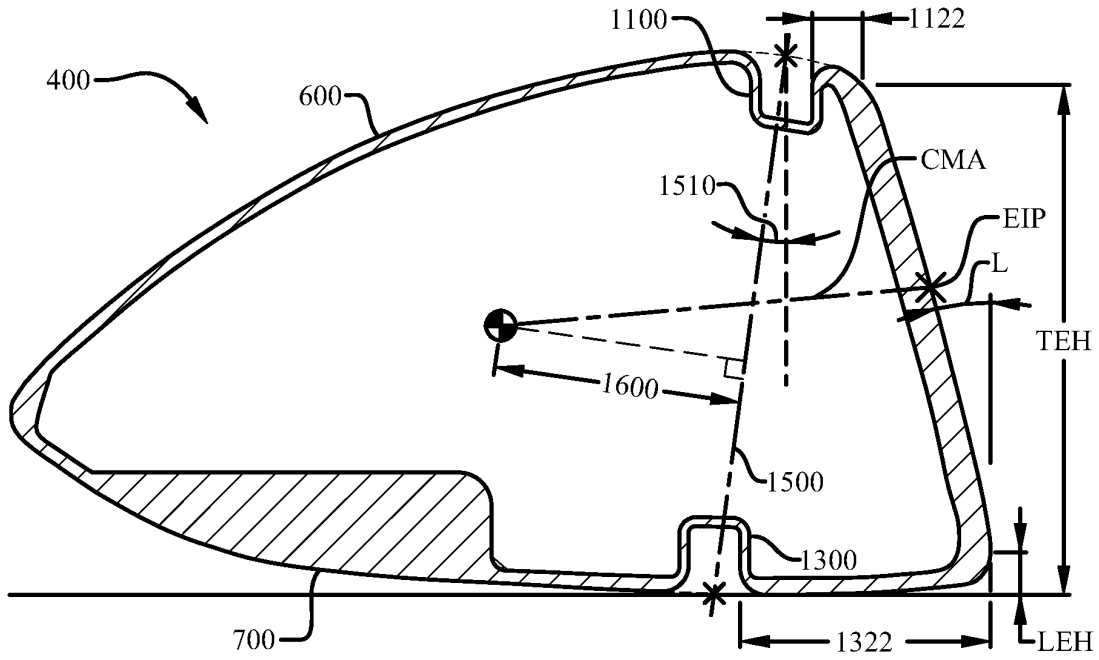


Fig. 26

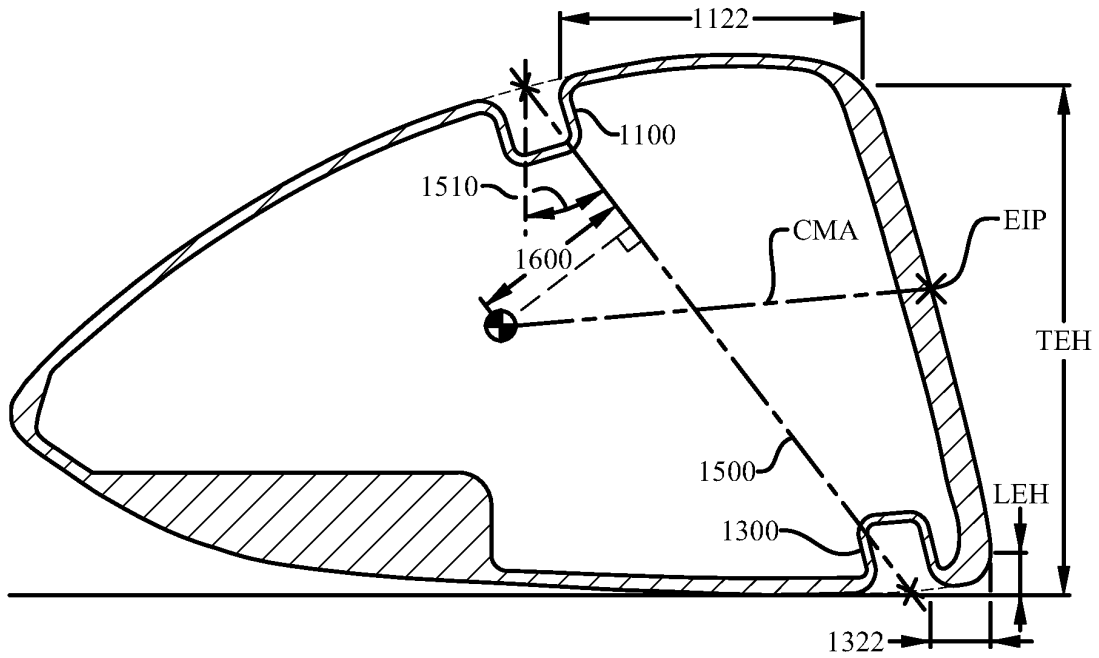


Fig. 27

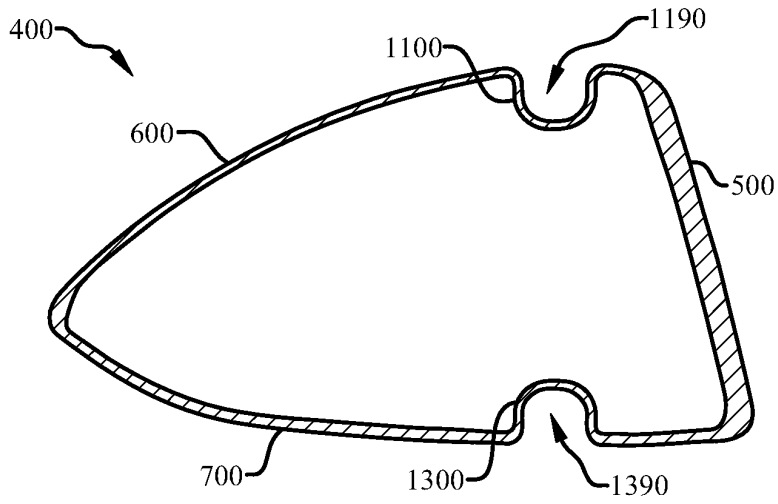


Fig. 28

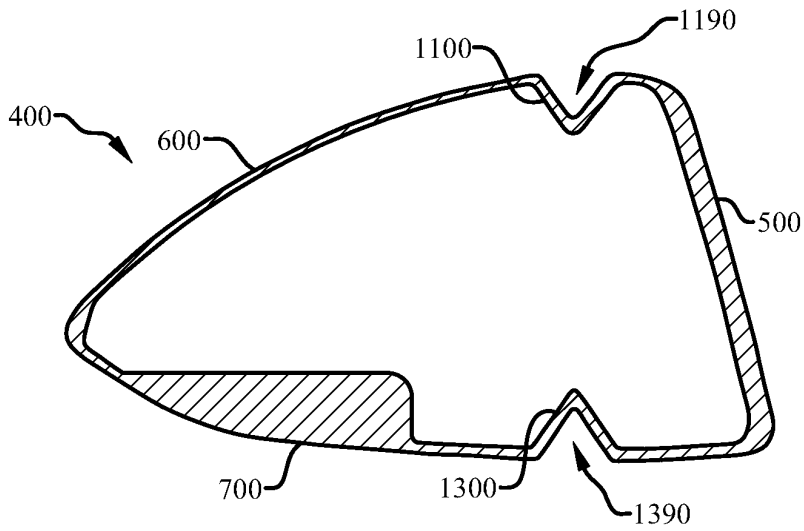


Fig. 29

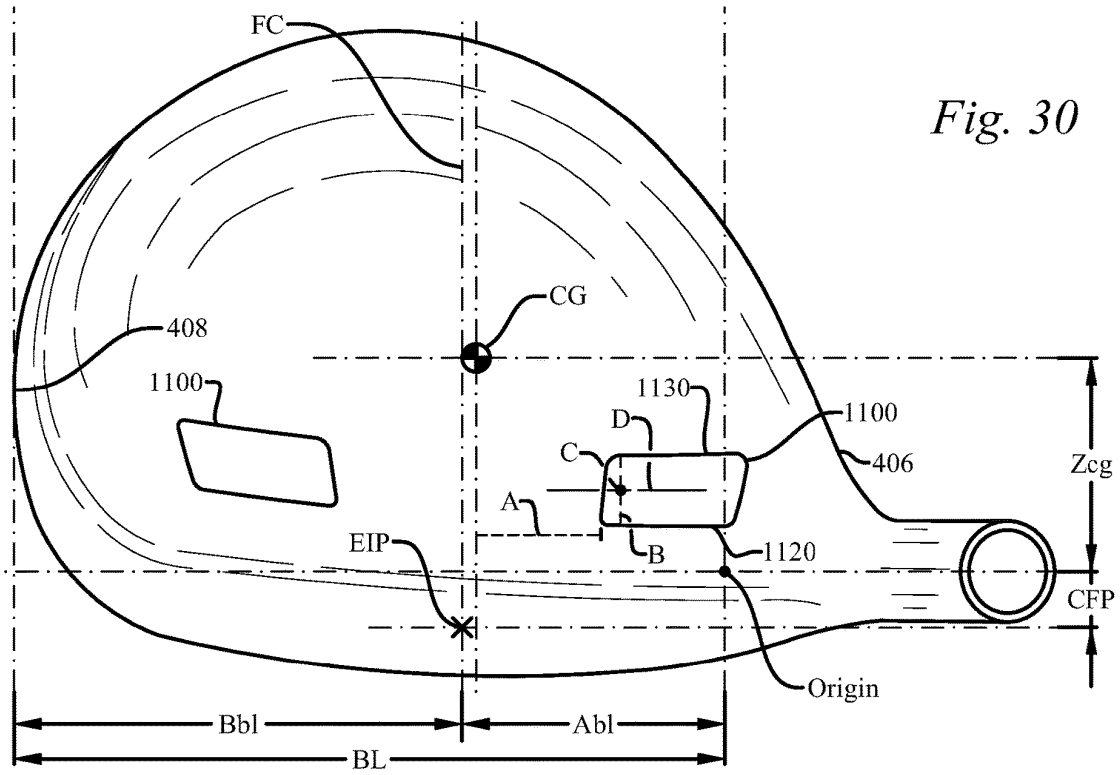


Fig. 30

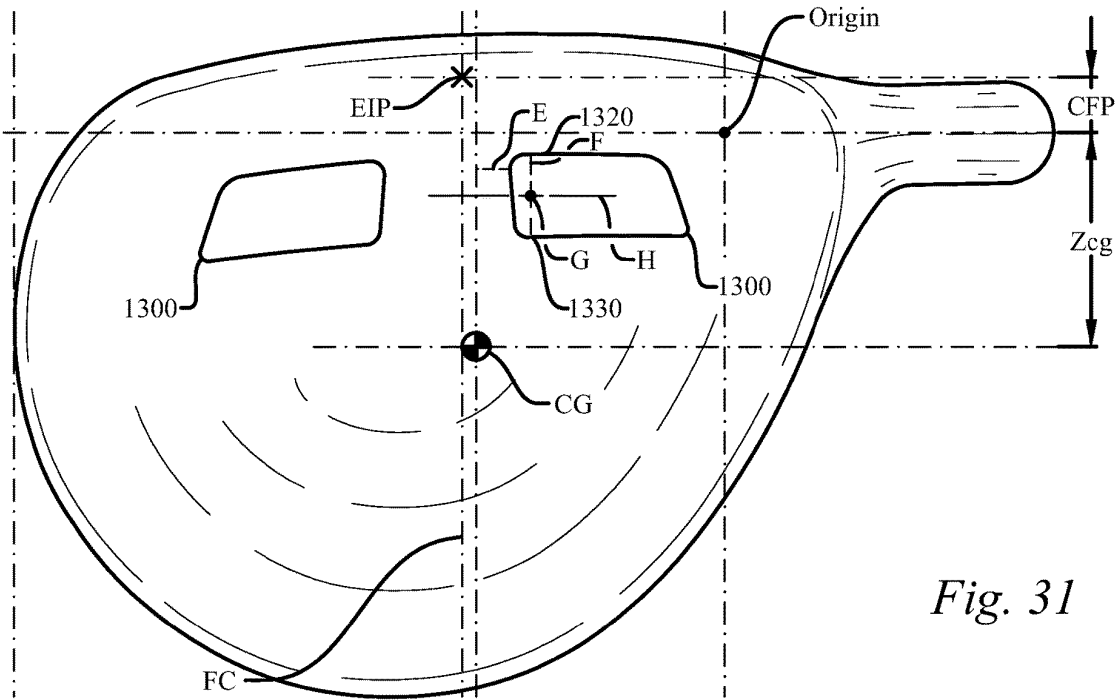


Fig. 31

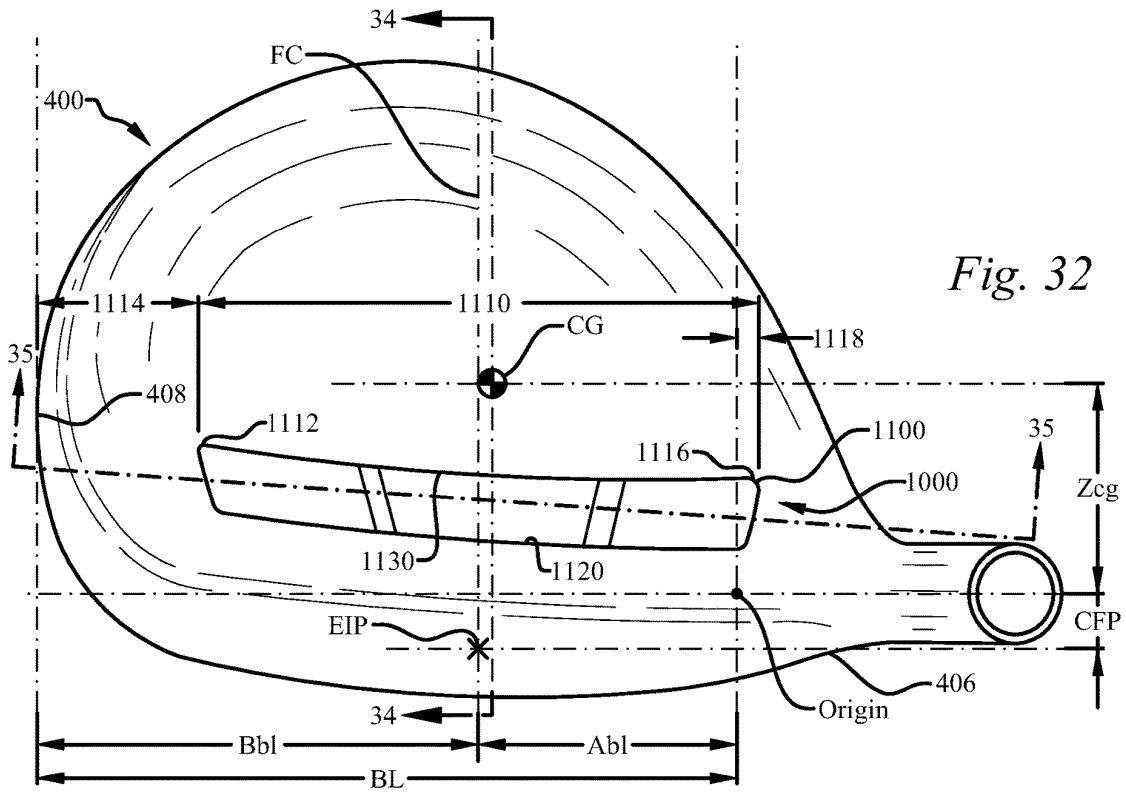


Fig. 32

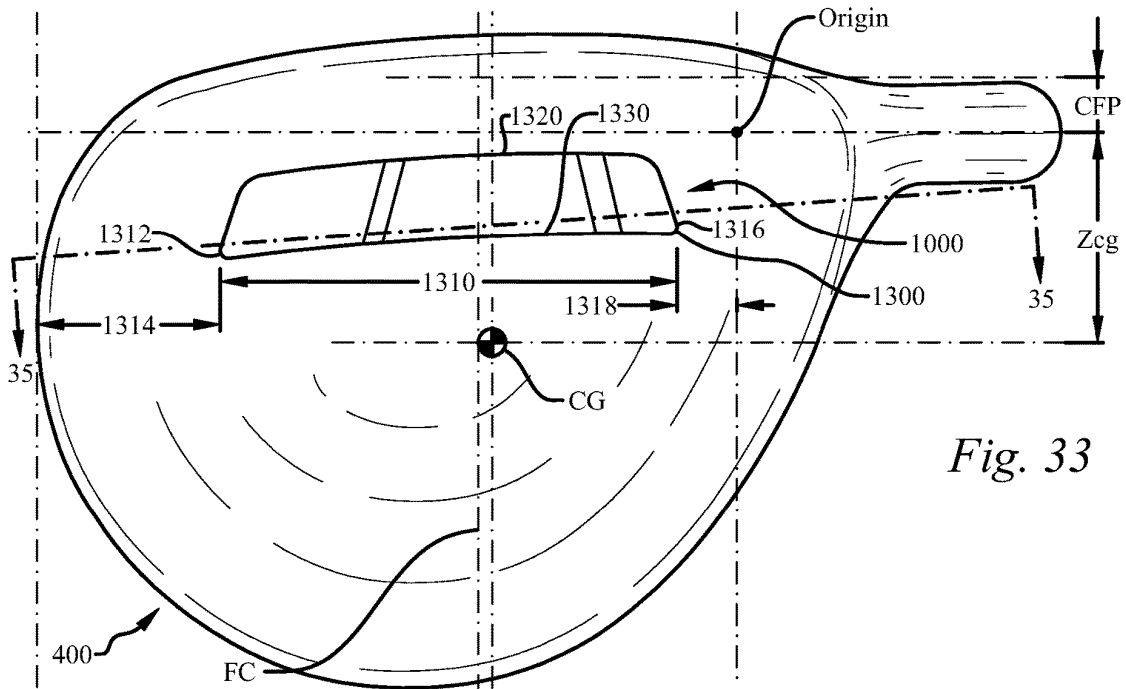


Fig. 33

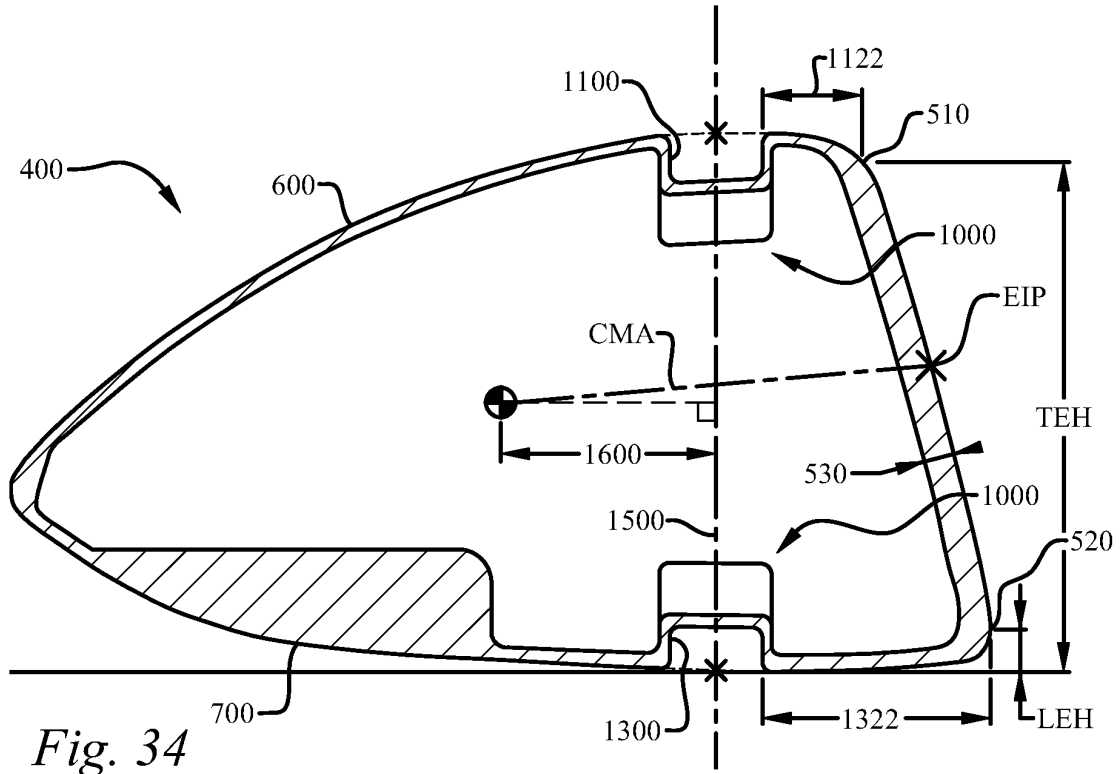


Fig. 34

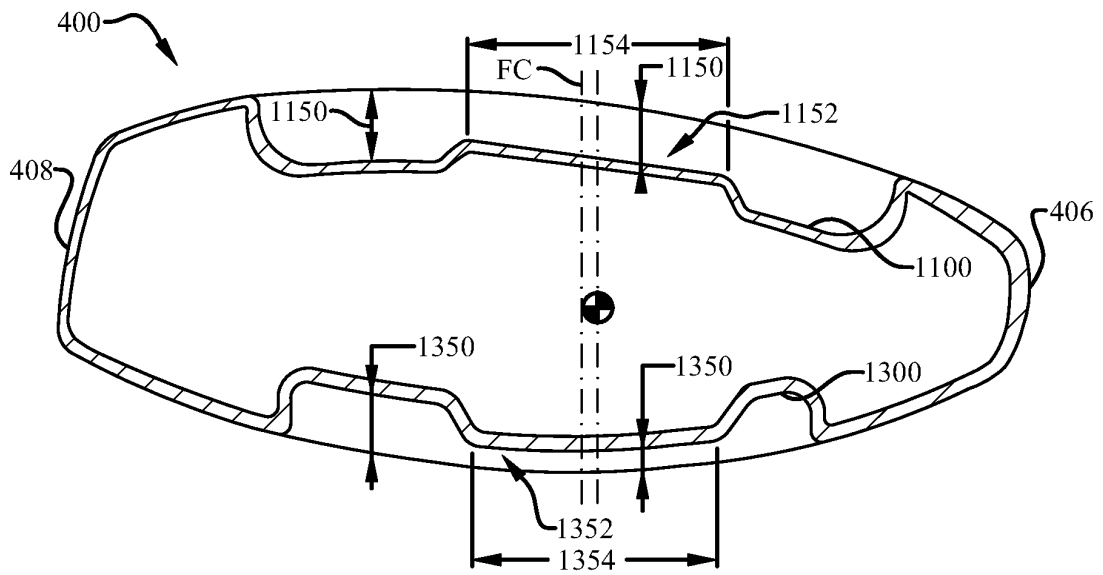


Fig. 35

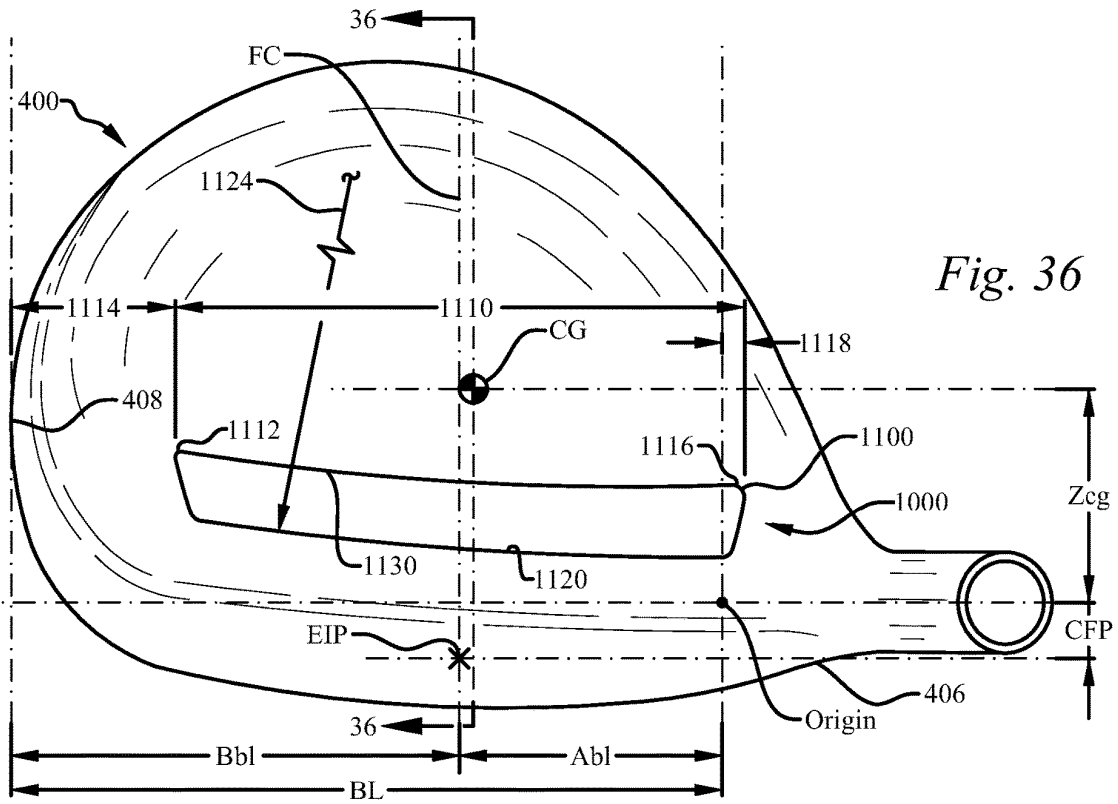


Fig. 36

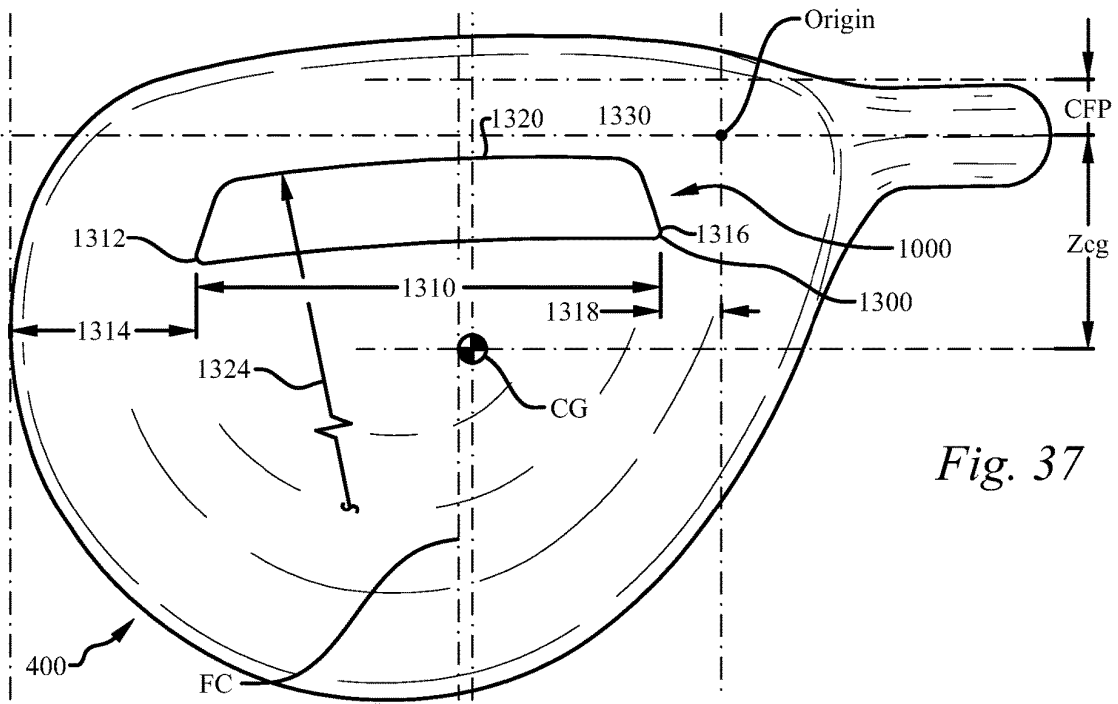


Fig. 37

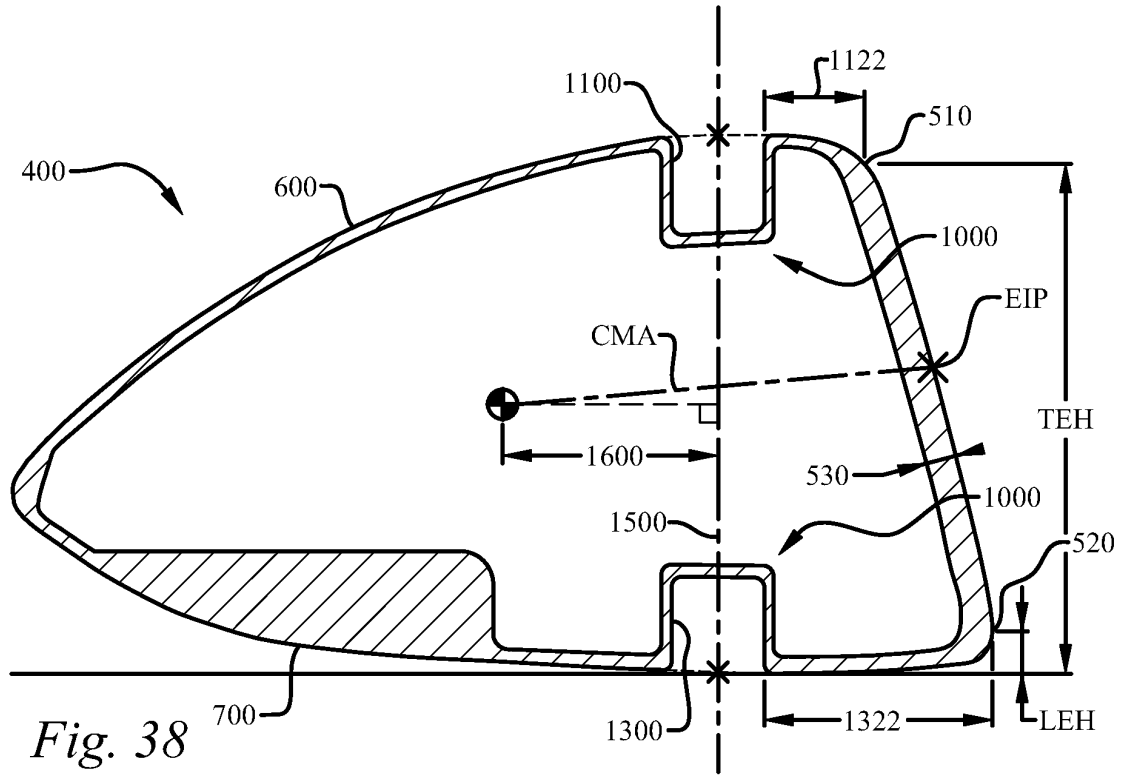


Fig. 38

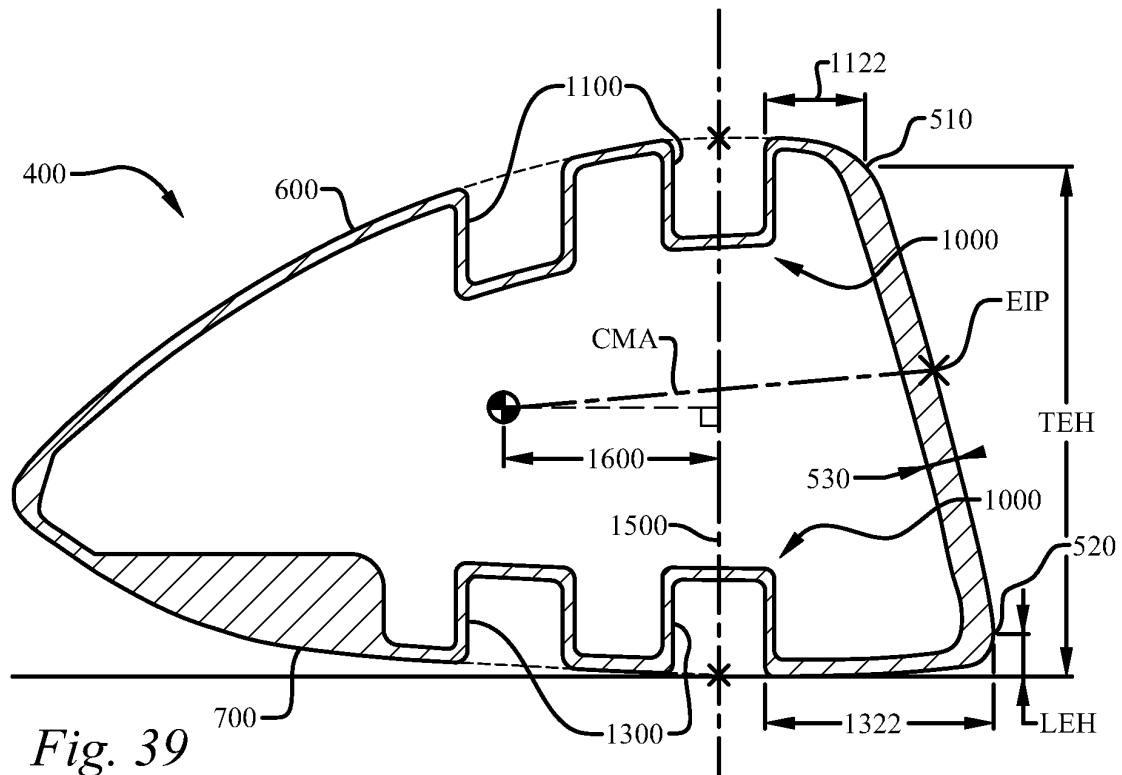


Fig. 39

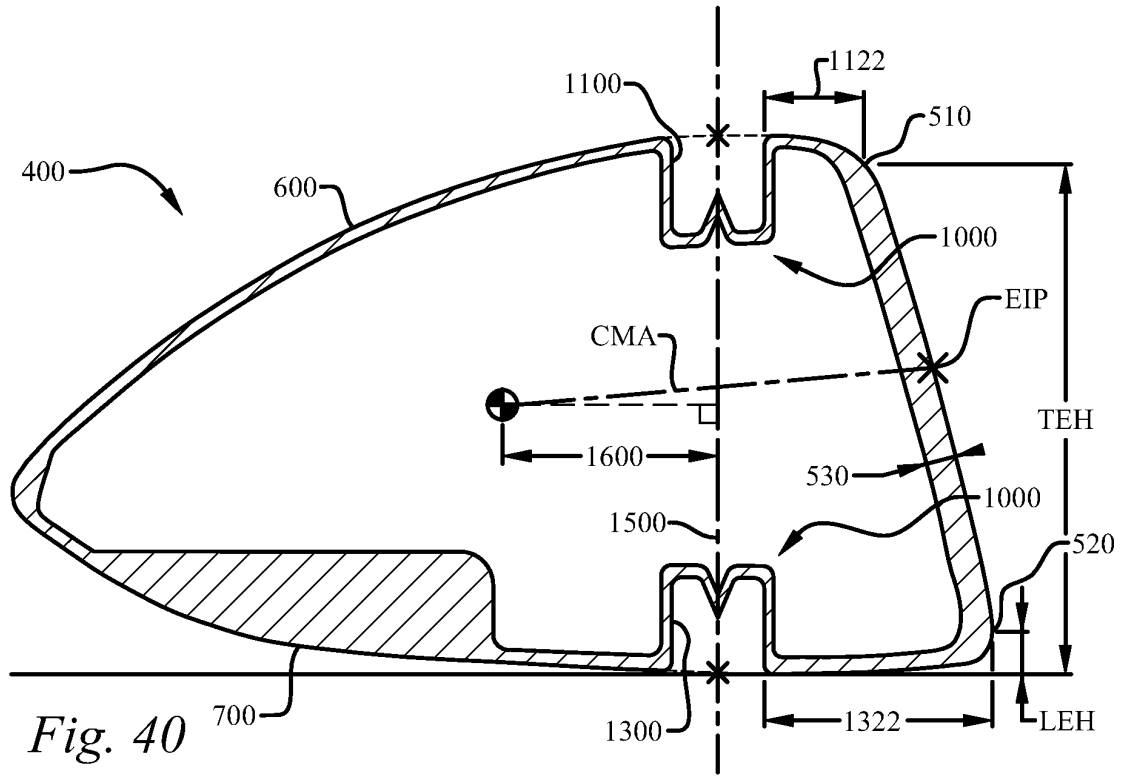


Fig. 40

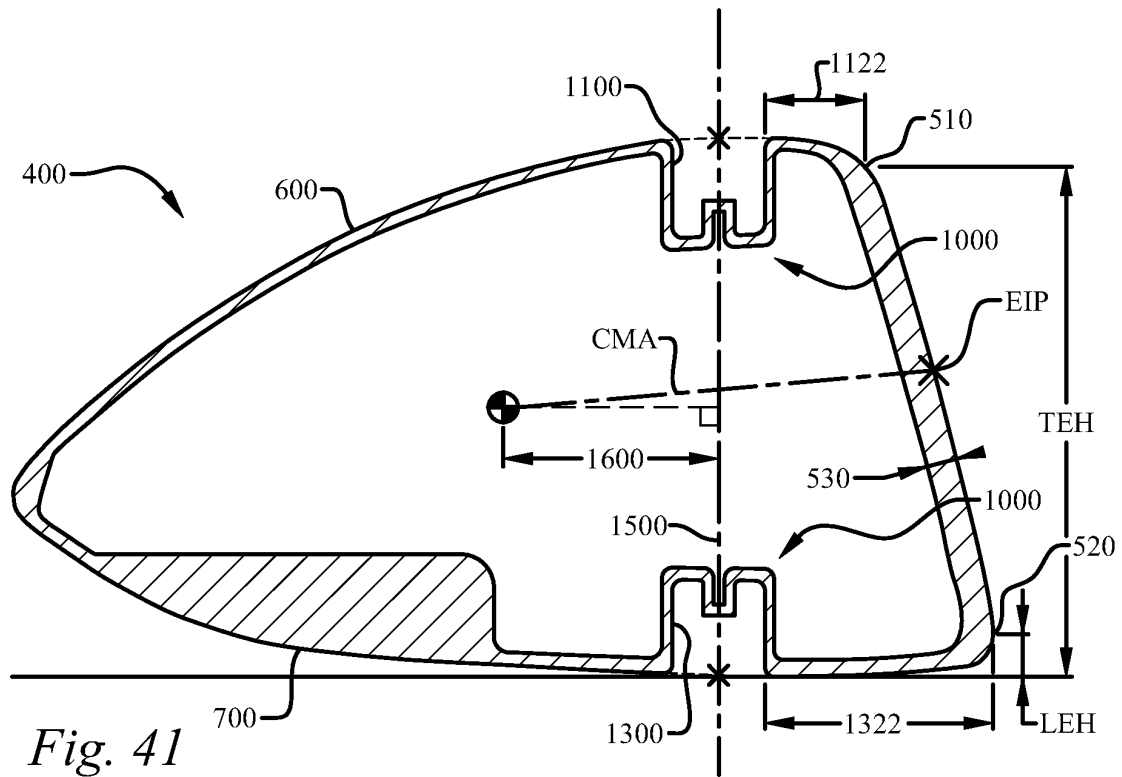


Fig. 41

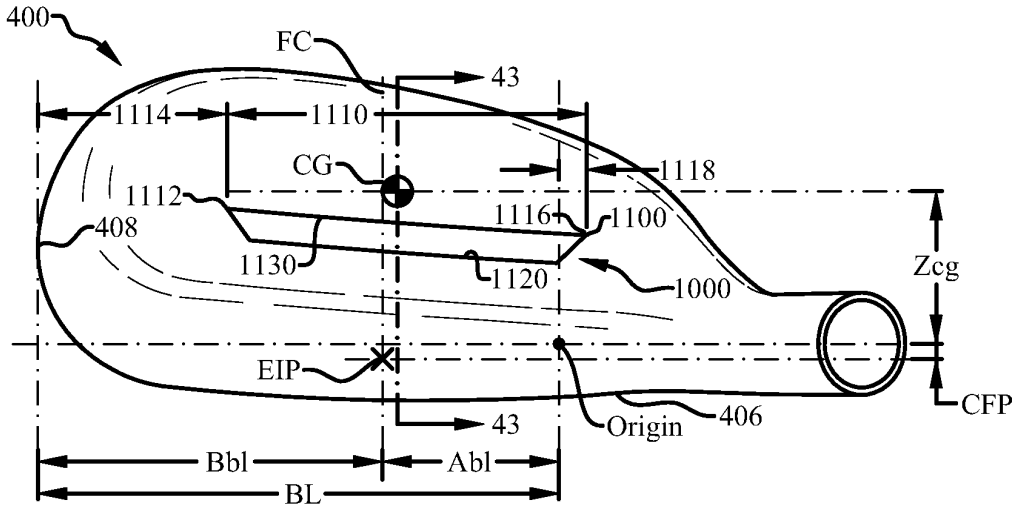


Fig. 42

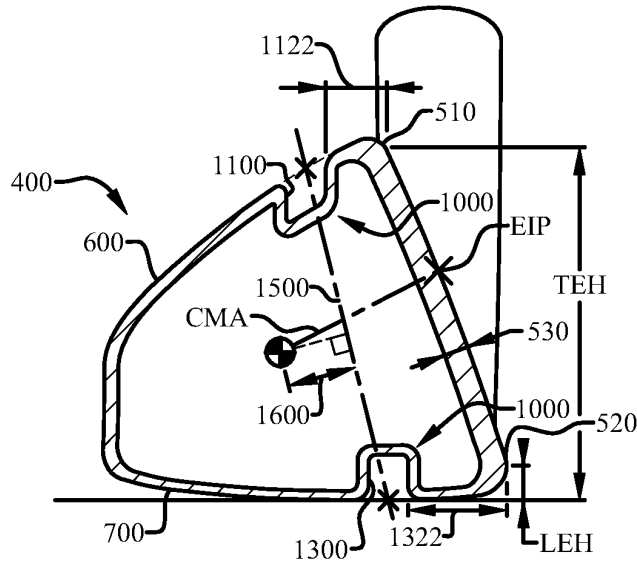


Fig. 43

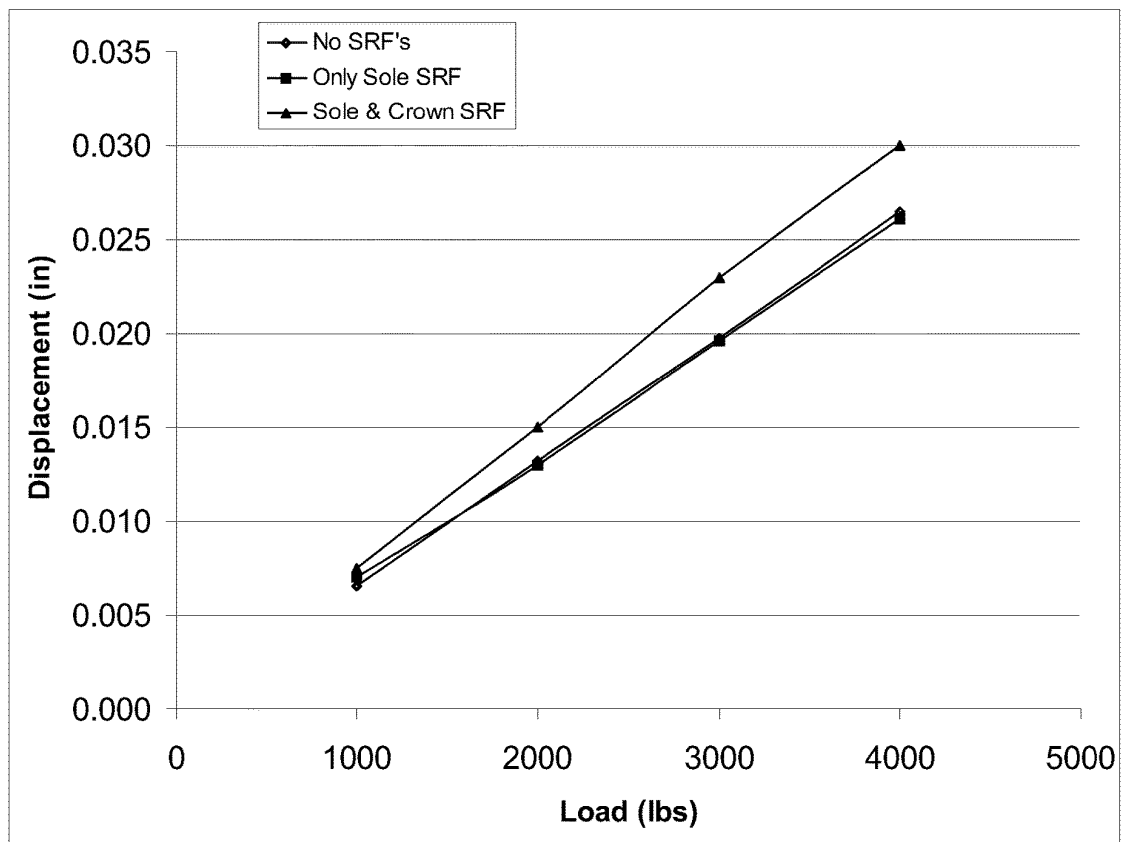


Fig. 44

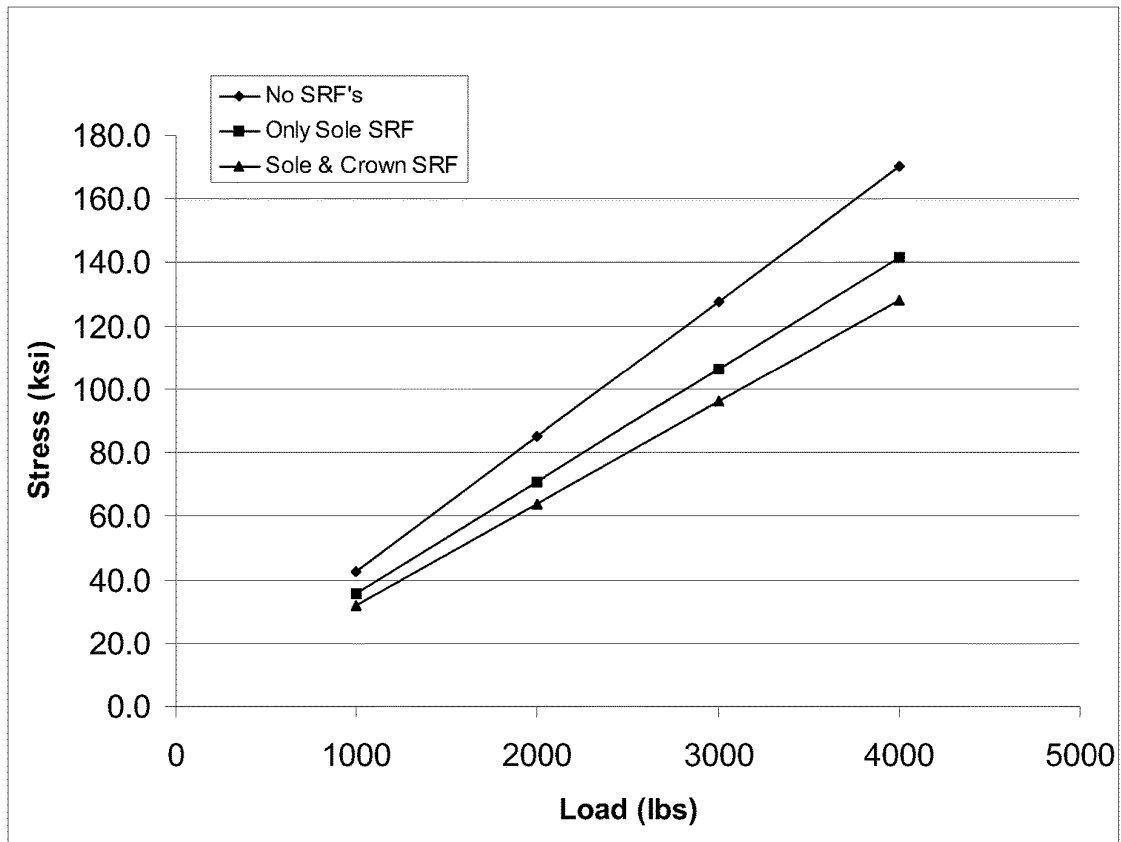


Fig. 45

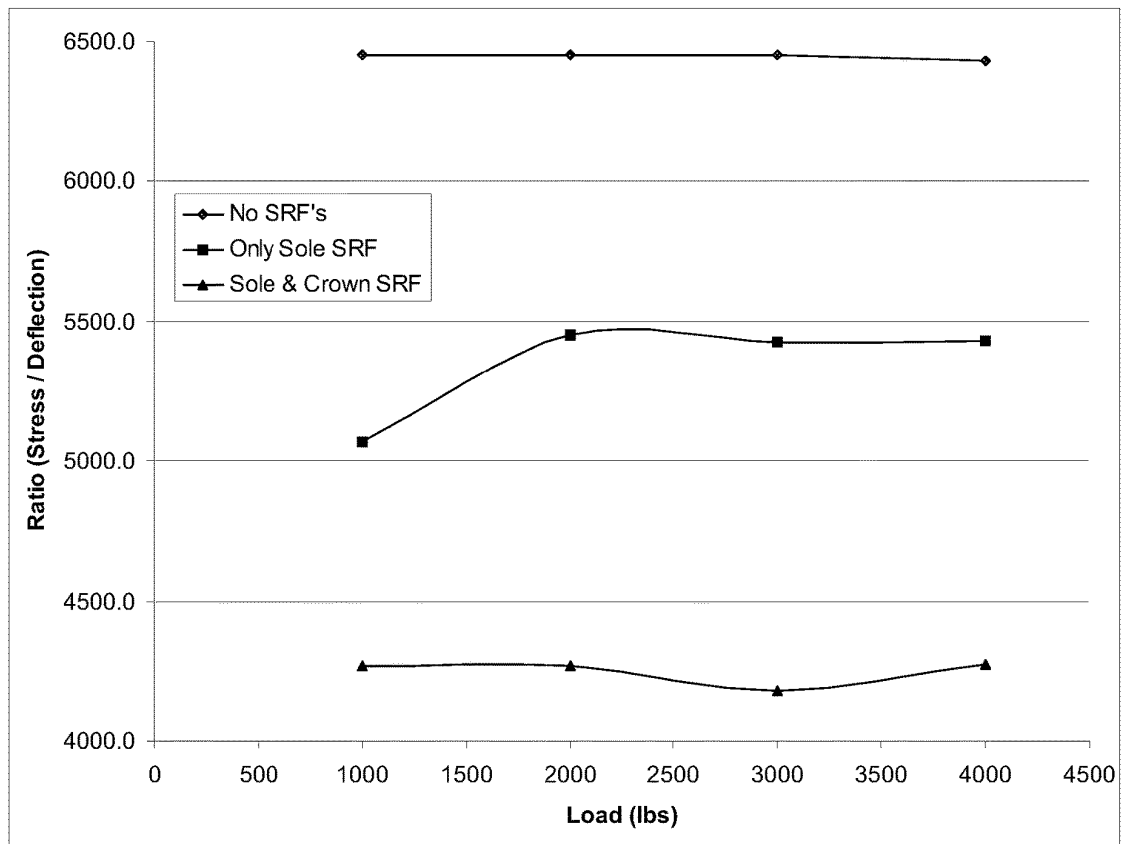
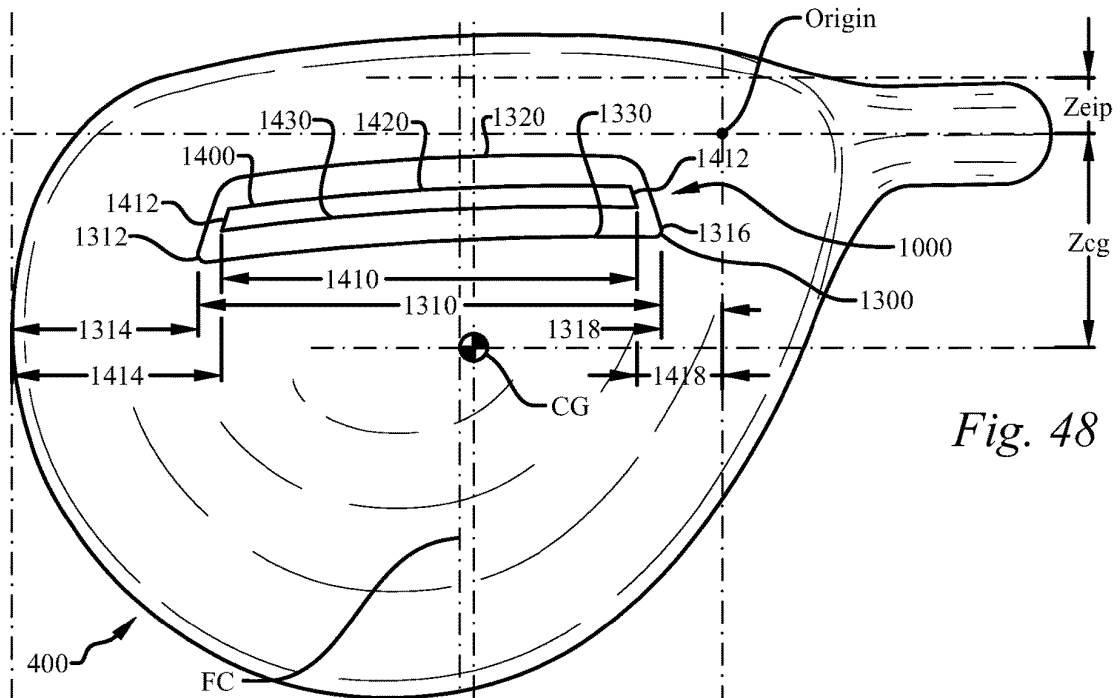
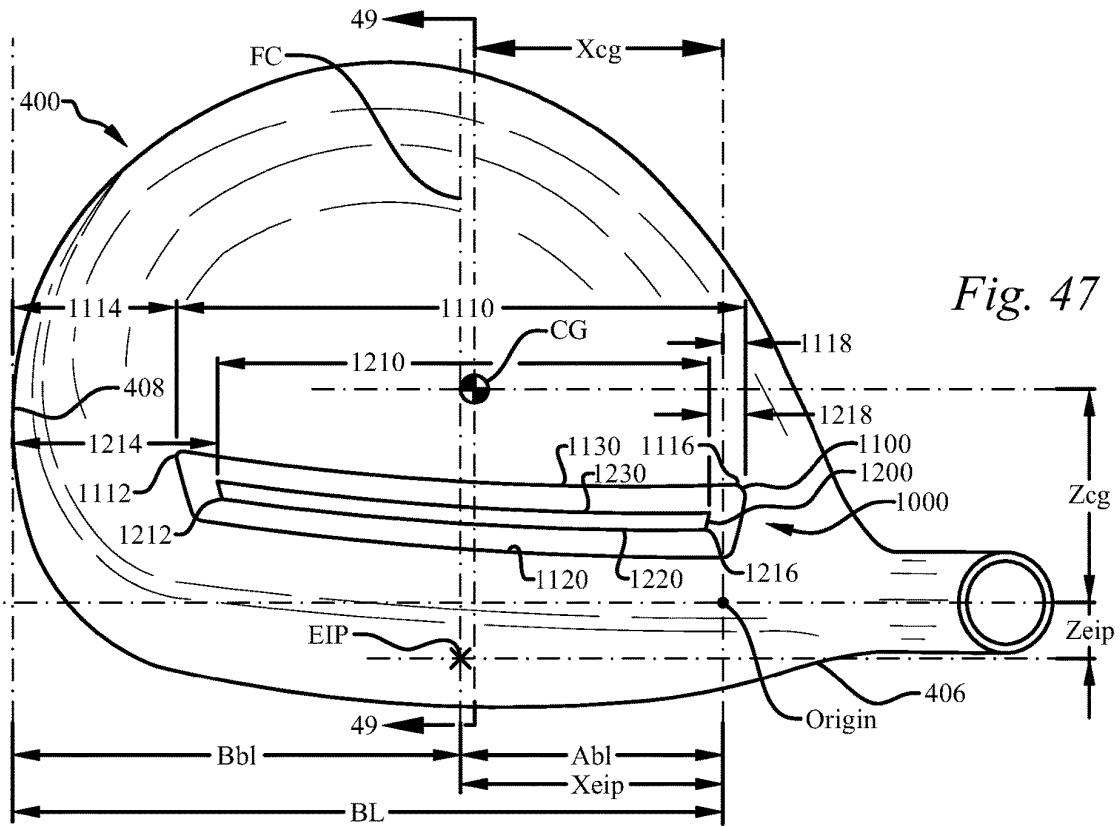


Fig. 46



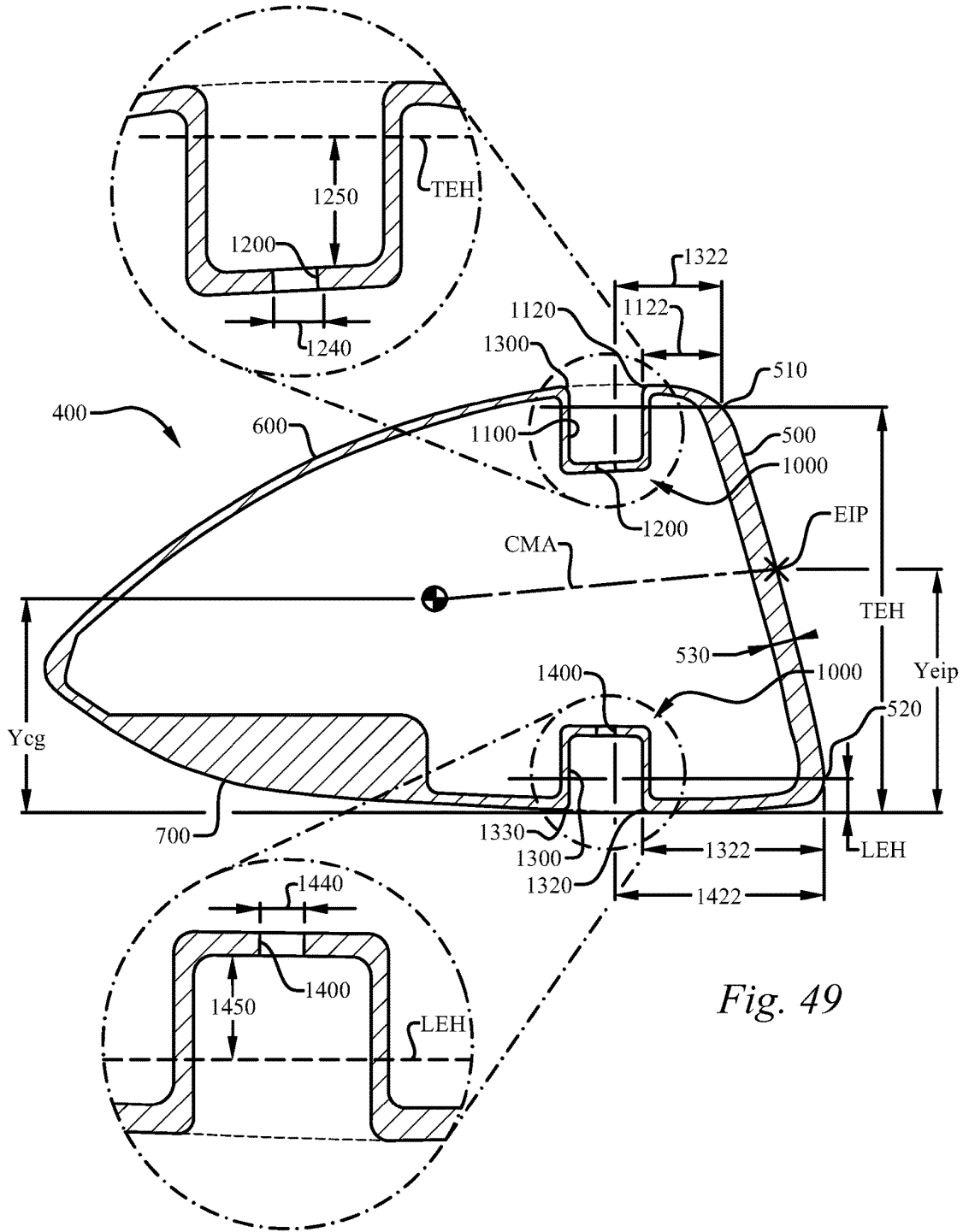
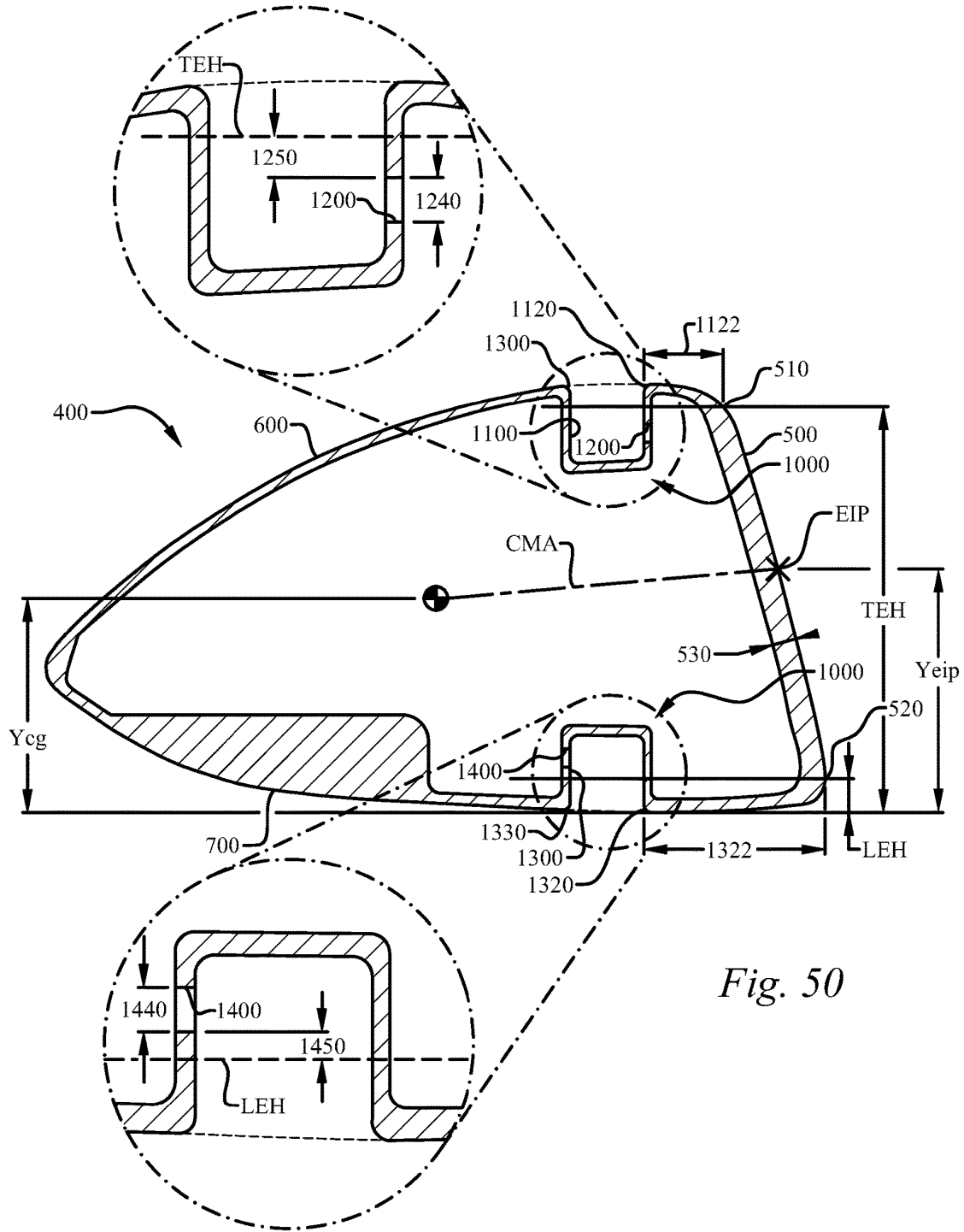


Fig. 49



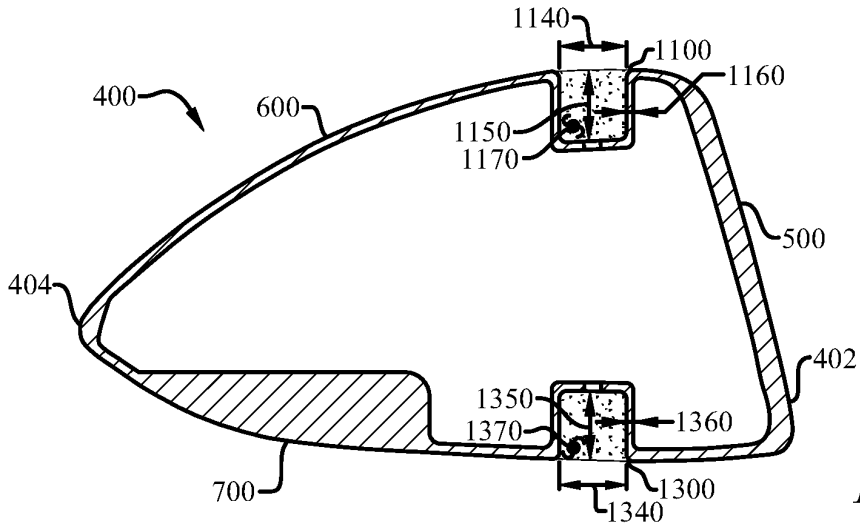


Fig. 51

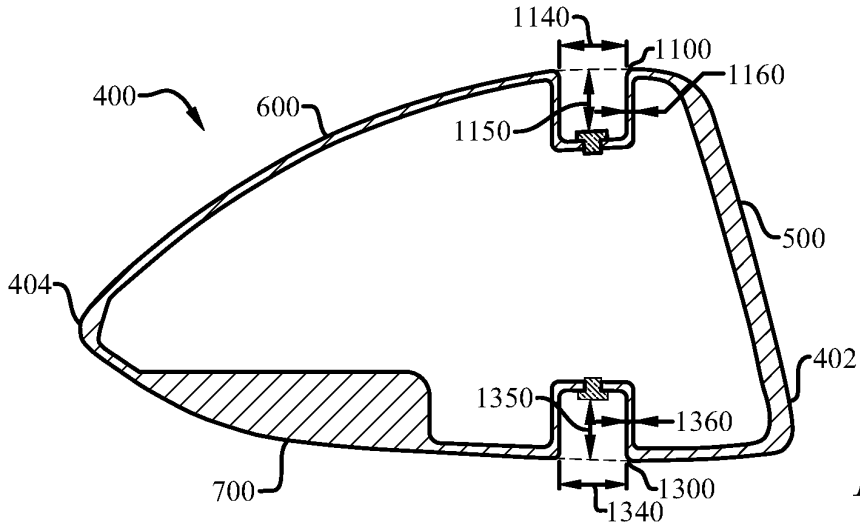


Fig. 52

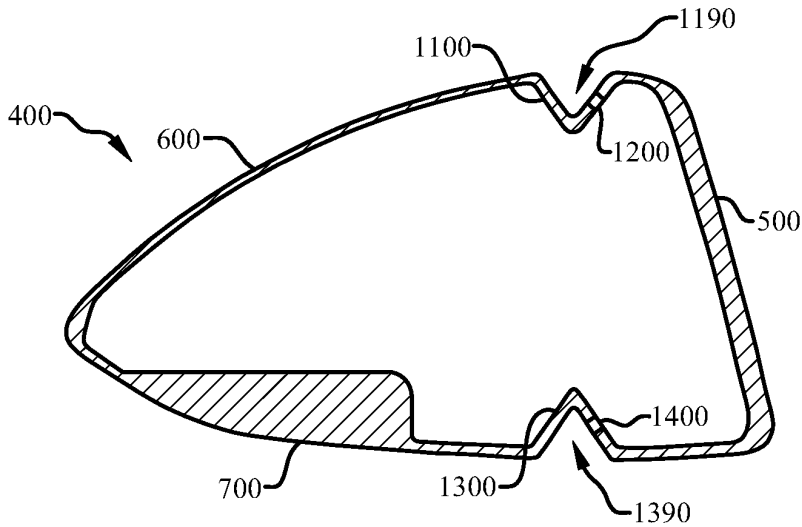


Fig. 53

IRON-TYPE GOLF CLUB HEAD**CROSS-REFERENCE TO RELATED APPLICATIONS**

This application is a continuation of U.S. patent application Ser. No. 16/786,430, filed on Feb. 10, 2020, which is a continuation of U.S. patent application Ser. No. 16/366,481, filed on Mar. 27, 2019, now U.S. Pat. No. 10,556,160, which is a continuation of U.S. patent application Ser. No. 15/957,961, filed on Apr. 20, 2018, now U.S. Pat. No. 10,245,485, which is a continuation of U.S. patent application Ser. No. 15/437,835, filed on Feb. 21, 2017, now U.S. Pat. No. 9,950,223, which is a continuation of U.S. patent application Ser. No. 14/868,446, filed on Sep. 29, 2015, now U.S. Pat. No. 9,610,482, which is a continuation of U.S. patent application Ser. No. 14/472,415, filed on Aug. 29, 2014, now U.S. Pat. No. 9,168,434, which is a continuation of U.S. patent application Ser. No. 13/397,122, filed on Feb. 15, 2012, now U.S. Pat. No. 8,821,312, which is a continuation-in-part of U.S. patent application Ser. No. 12/791,025, filed on Jun. 1, 2010, now U.S. Pat. No. 8,235,844, all of which is incorporated by reference as if completely written herein.

STATEMENT REGARDING FEDERALLY SPONSORED RESEARCH OR DEVELOPMENT

This invention was not made as part of a federally sponsored research or development project.

TECHNICAL FIELD

The present invention relates to the field of golf clubs, namely hollow golf club heads. The present invention is a hollow golf club head characterized by a stress reducing feature that includes a stress reducing feature having an aperture.

BACKGROUND OF THE INVENTION

The impact associated with a golf club head, often moving in excess of 100 miles per hour, impacting a stationary golf ball results in a tremendous force on the face of the golf club head, and accordingly a significant stress on the face. It is desirable to reduce the peak stress experienced by the face and to selectively distribute the force of impact to other areas of the golf club head where it may be more advantageously utilized.

SUMMARY OF INVENTION

In its most general configuration, the present invention advances the state of the art with a variety of new capabilities and overcomes many of the shortcomings of prior methods in new and novel ways. In its most general sense, the present invention overcomes the shortcomings and limitations of the prior art in any of a number of generally effective configurations.

The present golf club incorporating a stress reducing feature including a crown located SRF, short for stress reducing feature, located on the crown of the club head and/or a sole located SRF located on the sole of the club head. The SRF may contain an aperture extending through the shell of the golf club head. The location and size of the SRF and aperture play a significant role in reducing the peak

stress seen on the golf club's face during an impact with a golf ball, as well as selectively increasing deflection of the face.

Numerous variations, modifications, alternatives, and alterations of the various preferred embodiments, processes, and methods may be used alone or in combination with one another as will become more readily apparent to those with skill in the art with reference to the following detailed description of the preferred embodiments and the accompanying figures and drawings.

BRIEF DESCRIPTION OF THE DRAWINGS

Without limiting the scope of the present invention as claimed below and referring now to the drawings and figures:

FIG. 1 shows a front elevation view of an embodiment of the present invention, not to scale;

FIG. 2 shows a top plan view of an embodiment of the present invention, not to scale;

FIG. 3 shows a front elevation view of an embodiment of the present invention, not to scale;

FIG. 4 shows a toe side elevation view of an embodiment of the present invention, not to scale;

FIG. 5 shows a top plan view of an embodiment of the present invention, not to scale;

FIG. 6 shows a toe side elevation view of an embodiment of the present invention, not to scale;

FIG. 7 shows a front elevation view of an embodiment of the present invention, not to scale;

FIG. 8 shows a toe side elevation view of an embodiment of the present invention, not to scale;

FIG. 9 shows a front elevation view of an embodiment of the present invention, not to scale;

FIG. 10 shows a front elevation view of an embodiment of the present invention, not to scale;

FIG. 11 shows a front elevation view of an embodiment of the present invention, not to scale;

FIG. 12 shows a front elevation view of an embodiment of the present invention, not to scale;

FIG. 13 shows a front elevation view of an embodiment of the present invention, not to scale;

FIG. 14 shows a top plan view of an embodiment of the present invention, not to scale;

FIG. 15 shows a front elevation view of an embodiment of the present invention, not to scale;

FIG. 16 shows a top plan view of an embodiment of the present invention, not to scale;

FIG. 17 shows a top plan view of an embodiment of the present invention, not to scale;

FIG. 18 shows a top plan view of an embodiment of the present invention, not to scale;

FIG. 19 shows a front elevation view of an embodiment of the present invention, not to scale;

FIG. 20 shows a toe side elevation view of an embodiment of the present invention, not to scale;

FIG. 21 shows a front elevation view of an embodiment of the present invention, not to scale;

FIG. 22 shows a top plan view of an embodiment of the present invention, not to scale;

FIG. 23 shows a bottom plan view of an embodiment of the present invention, not to scale;

FIG. 24 shows a partial cross-sectional view of an embodiment of the present invention, not to scale;

FIG. 25 shows a partial cross-sectional view of an embodiment of the present invention, not to scale;

FIG. 26 shows a partial cross-sectional view of an embodiment of the present invention, not to scale;

FIG. 27 shows a partial cross-sectional view of an embodiment of the present invention, not to scale;

FIG. 28 shows a partial cross-sectional view of an embodiment of the present invention, not to scale;

FIG. 29 shows a partial cross-sectional view of an embodiment of the present invention, not to scale;

FIG. 30 shows a top plan view of an embodiment of the present invention, not to scale;

FIG. 31 shows a bottom plan view of an embodiment of the present invention, not to scale;

FIG. 32 shows a top plan view of an embodiment of the present invention, not to scale;

FIG. 33 shows a bottom plan view of an embodiment of the present invention, not to scale;

FIG. 34 shows a partial cross-sectional view of an embodiment of the present invention, not to scale;

FIG. 35 shows a partial cross-sectional view of an embodiment of the present invention, not to scale;

FIG. 36 shows a top plan view of an embodiment of the present invention, not to scale;

FIG. 37 shows a bottom plan view of an embodiment of the present invention, not to scale;

FIG. 38 shows a partial cross-sectional view of an embodiment of the present invention, not to scale;

FIG. 39 shows a partial cross-sectional view of an embodiment of the present invention, not to scale;

FIG. 40 shows a partial cross-sectional view of an embodiment of the present invention, not to scale;

FIG. 41 shows a partial cross-sectional view of an embodiment of the present invention, not to scale;

FIG. 42 shows a top plan view of an embodiment of the present invention, not to scale;

FIG. 43 shows a partial cross-sectional view of an embodiment of the present invention, not to scale;

FIG. 44 shows a graph of face displacement versus load;

FIG. 45 shows a graph of peak stress on the face versus load;

FIG. 46 shows a graph of the stress-to-deflection ratio versus load;

FIG. 47 shows a top plan view of an embodiment of the present invention, not to scale;

FIG. 48 shows a bottom plan view of an embodiment of the present invention, not to scale;

FIG. 49 shows a partial cross-sectional view of an embodiment of the present invention, not to scale;

FIG. 50 shows a partial cross-sectional view of an embodiment of the present invention, not to scale;

FIG. 51 shows a partial cross-sectional view of an embodiment of the present invention, not to scale;

FIG. 52 shows a partial cross-sectional view of an embodiment of the present invention, not to scale; and

FIG. 53 shows a partial cross-sectional view of an embodiment of the present invention, not to scale.

These drawings are provided to assist in the understanding of the exemplary embodiments of the present golf club as described in more detail below and should not be construed as unduly limiting the golf club. In particular, the relative spacing, positioning, sizing and dimensions of the various elements illustrated in the drawings are not drawn to scale and may have been exaggerated, reduced or otherwise modified for the purpose of improved clarity. Those of ordinary skill in the art will also appreciate that a range of

alternative configurations have been omitted simply to improve the clarity and reduce the number of drawings.

DETAILED DESCRIPTION OF THE INVENTION

The hollow golf club of the present invention enables a significant advance in the state of the art. The preferred embodiments of the golf club accomplish this by new and novel methods that are configured in unique and novel ways and which demonstrate previously unavailable, but preferred and desirable capabilities. The description set forth below in connection with the drawings is intended merely as a description of the presently preferred embodiments of the golf club, and is not intended to represent the only form in which the present golf club may be constructed or utilized. The description sets forth the designs, functions, means, and methods of implementing the golf club in connection with the illustrated embodiments. It is to be understood, however, that the same or equivalent functions and features may be accomplished by different embodiments that are also intended to be encompassed within the spirit and scope of the claimed golf club head.

In order to fully appreciate the present disclosed golf club some common terms must be defined for use herein. First, one of skill in the art will know the meaning of “center of gravity,” referred to herein as CG, from an entry level course on the mechanics of solids. With respect to wood-type golf clubs, hybrid golf clubs, and hollow iron type golf clubs, which are may have non-uniform density, the CG is often thought of as the intersection of all the balance points of the club head. In other words, if you balance the head on the face and then on the sole, the intersection of the two imaginary lines passing straight through the balance points would define the point referred to as the CG.

It is helpful to establish a coordinate system to identify and discuss the location of the CG. In order to establish this coordinate system one must first identify a ground plane (GP) and a shaft axis (SA). First, the ground plane (GP) is the horizontal plane upon which a golf club head rests, as seen best in a front elevation view of a golf club head looking at the face of the golf club head, as seen in FIG. 1. Secondly, the shaft axis (SA) is the axis of a bore in the golf club head that is designed to receive a shaft. Some golf club heads have an external hosel that contains a bore for receiving the shaft such that one skilled in the art can easily appreciate the shaft axis (SA), while other “hosel-less” golf clubs have an internal bore that receives the shaft that nonetheless defines the shaft axis (SA). The shaft axis (SA) is fixed by the design of the golf club head and is also illustrated in FIG. 1.

Now, the intersection of the shaft axis (SA) with the ground plane (GP) fixes an origin point, labeled “origin” in FIG. 1, for the coordinate system. While it is common knowledge in the industry, it is worth noting that the right side of the club head seen in FIG. 1, the side nearest the bore in which the shaft attaches, is the “heel” side of the golf club head; and the opposite side, the left side in FIG. 1, is referred to as the “toe” side of the golf club head. Additionally, the portion of the golf club head that actually strikes a golf ball is referred to as the face of the golf club head and is commonly referred to as the front of the golf club head; whereas the opposite end of the golf club head is referred to as the rear of the golf club head and/or the trailing edge.

A three dimensional coordinate system may now be established from the origin with the to Y-direction being the vertical direction from the origin; the X-direction being the

horizontal direction perpendicular to the Y-direction and wherein the X-direction is parallel to the face of the golf club head in the natural resting position, also known as the design position; and the Z-direction is perpendicular to the X-direction wherein the Z-direction is the direction toward the rear of the golf club head. The X, Y, and Z directions are noted on a coordinate system symbol in FIG. 1. It should be noted that this coordinate system is contrary to the traditional right-hand rule coordinate system; however it is preferred so that the center of gravity may be referred to as having all positive coordinates.

Now, with the origin and coordinate system defined, the terms that define the location of the CG may be explained. One skilled in the art will appreciate that the CG of a hollow golf club head such as the wood-type golf club head illustrated in FIG. 2 will be behind the face of the golf club head. The distance behind the origin that the CG is located is referred to as Z_{cg} , as seen in FIG. 2. Similarly, the distance above the origin that the CG is located is referred to as Y_{cg} , as seen in FIG. 3. Lastly, the horizontal distance from the origin that the CG is located is referred to as X_{cg} , also seen in FIG. 3. Therefore, the location of the CG may be easily identified by reference to X_{cg} , Y_{cg} , and Z_{cg} .

The moment of inertia of the golf club head is a key ingredient in the playability of the club. Again, one skilled in the art will understand what is meant by moment of inertia with respect to golf club heads; however it is helpful to define two moment of inertia components that will be commonly referred to herein. First, MOI_x is the moment of inertia of the golf club head around an axis through the CG, parallel to the X-axis, labeled in FIG. 4. MOI_x is the moment of inertia of the golf club head that resists lofting and delofting moments induced by ball strikes high or low on the face. Secondly, MOI_y is the moment of the inertia of the golf club head around an axis through the CG, parallel to the Y-axis, labeled in FIG. 5. MOI_y is the moment of inertia of the golf club head that resists opening and closing moments induced by ball strikes towards the toe side or heel side of the face.

Continuing with the definitions of key golf club head dimensions, the "front-to-back" dimension, referred to as the FB dimension, is the distance from the furthest forward point at the leading edge of the golf club head to the furthest rearward point at the rear of the golf club head, i.e. the trailing edge, as seen in FIG. 6. The "heel-to-toe" dimension, referred to as the HT dimension, is the distance from the point on the surface of the club head on the toe side that is furthest from the origin in the X-direction, to the point on the surface of the golf club head on the heel side that is 0.875" above the ground plane and furthest from the origin in the negative X-direction, as seen in FIG. 7.

A key location on the golf club face is an engineered impact point (EIP). The engineered impact point (EIP) is important in that it helps define several other key attributes of the present golf club head. The engineered impact point (EIP) is generally thought of as the point on the face that is the ideal point at which to strike the golf ball. Generally, the score lines on golf club heads enable one to easily identify the engineered impact point (EIP) for a golf club. In the embodiment of FIG. 9, the first step in identifying the engineered impact point (EIP) is to identify the top score line (TSL) and the bottom score line (BSL). Next, draw an imaginary line (IL) from the midpoint of the top score line (TSL) to the midpoint of the bottom score line (BSL). This imaginary line (IL) will often not be vertical since many score line designs are angled upward toward the toe when the club is in the natural position. Next, as seen in FIG. 10,

the club must be rotated so that the top score line (TSL) and the bottom score line (BSL) are parallel with the ground plane (GP), which also means that the imaginary line (IL) will now be vertical. In this position, the leading edge height (LEH) and the top edge height (TEH) are measured from the ground plane (GP). Next, the face height is determined by subtracting the leading edge height (LEH) from the top edge height (TEH). The face height is then divided in half and added to the leading edge height (LEH) to yield the height of the engineered impact point (EIP). Continuing with the club head in the position of FIG. 10, a spot is marked on the imaginary line (IL) at the height above the ground plane (GP) that was just calculated. This spot is the engineered impact point (EIP).

The engineered impact point (EIP) may also be easily determined for club heads having alternative score line configurations. For instance, the golf club head of FIG. 11 does not have a centered top score line. In such a situation, the two outermost score lines that have lengths within 5% of one another are then used as the top score line (TSL) and the bottom score line (BSL). The process for determining the location of the engineered impact point (EIP) on the face is then determined as outlined above. Further, some golf club heads have non-continuous score lines, such as that seen at the top of the club head face in FIG. 12. In this case, a line is extended across the break between the two top score line sections to create a continuous top score line (TSL). The newly created continuous top score line (TSL) is then bisected and used to locate the imaginary line (IL). Again, then the process for determining the location of the engineered impact point (EIP) on the face is determined as outlined above.

The engineered impact point (EIP) may also be easily determined in the rare case of a golf club head having an asymmetric score line pattern, or no score lines at all. In such embodiments the engineered impact point (EIP) shall be determined in accordance with the USGA "Procedure for Measuring the Flexibility of a Golf Clubhead," Revision 2.0, Mar. 25, 2005, which is incorporated herein by reference. This USGA procedure identifies a process for determining the impact location on the face of a golf club that is to be tested, also referred therein as the face center. The USGA procedure utilizes a template that is placed on the face of the golf club to determine the face center. In these limited cases of asymmetric score line patterns, or no score lines at all, this USGA face center shall be the engineered impact point (EIP) that is referenced throughout this application.

The engineered impact point (EIP) on the face is an important reference to define other attributes of the present golf club head. The engineered impact point (EIP) is generally shown on the face with rotated crosshairs labeled EIP. The precise location of the engineered impact point (EIP) can be identified via the dimensions X_{eip} , Y_{eip} , and Z_{eip} , as illustrated in FIGS. 22-24. The X coordinate X_{eip} is measured in the same manner as X_{cg} , the Y coordinate Y_{eip} is measured in the same manner as Y_{cg} , and the Z coordinate Z_{eip} is measured in the same manner as Z_{cg} , except that Z_{eip} is always a positive value regardless of whether it is in front of the origin point or behind the origin point.

One important dimension that utilizes the engineered impact point (EIP) is the center face progression (CFP), seen in FIGS. 8 and 14. The center face progression (CFP) is a single dimension measurement and is defined as the distance in the Z-direction from the shaft axis (SA) to the engineered impact point (EIP). A second dimension that utilizes the engineered impact point (EIP) is referred to as a club moment arm (CMA). The CMA is the two dimensional

distance from the CG of the club head to the engineered impact point (EIP) on the face, as seen in FIG. 8. Thus, with reference to the coordinate system shown in FIG. 1, the club moment arm (CMA) includes a component in the Z-direction and a component in the Y-direction, but ignores any difference in the X-direction between the CG and the engineered impact point (EIP). Thus, the club moment arm (CMA) can be thought of in terms of an impact vertical plane passing through the engineered impact point (EIP) and extending in the Z-direction. First, one would translate the CG horizontally in the X-direction until it hits the impact vertical plane. Then, the club moment arm (CMA) would be the distance from the projection of the CG on the impact vertical plane to the engineered impact point (EIP). The club moment arm (CMA) has a significant impact on the launch angle and the spin of the golf ball upon impact.

Another important dimension in golf club design is the club head blade length (BL), seen in FIG. 13 and FIG. 14. The blade length (BL) is the distance from the origin to a point on the surface of the club head on the toe side that is furthest from the origin in the X-direction. The blade length (BL) is composed of two sections, namely the heel blade length section (Abl) and the toe blade length section (Bbl). The point of delineation between these two sections is the engineered impact point (EIP), or more appropriately, a vertical line, referred to as a face centerline (FC), extending through the engineered impact point (EIP), as seen in FIG. 13, when the golf club head is in the normal resting position, also referred to as the design position.

Further, several additional dimensions are helpful in understanding the location of the CG with respect to other points that are essential in golf club engineering. First, a CG angle (CGA) is the one dimensional angle between a line connecting the CG to the origin and an extension of the shaft axis (SA), as seen in FIG. 14. The CG angle (CGA) is measured solely in the X-Z plane and therefore does not account for the elevation change between the CG and the origin, which is why it is easiest understood in reference to the top plan view of FIG. 14.

Lastly, another important dimension in quantifying the present golf club only takes into consideration two dimensions and is referred to as the transfer distance (TD), seen in FIG. 17. The transfer distance (TD) is the horizontal distance from the CG to a vertical line extending from the origin; thus, the transfer distance (TD) ignores the height of the CG, or Ycg. Thus, using the Pythagorean Theorem from simple geometry, the transfer distance (TD) is the hypotenuse of a right triangle with a first leg being Xcg and the second leg being Zcg.

The transfer distance (TD) is significant in that it helps define another moment of inertia value that is significant to the present golf club. This new moment of inertia value is defined as the face closing moment of inertia, referred to as MOIfc, which is the horizontally translated (no change in Y-direction elevation) version of MOly around a vertical axis that passes through the origin. MOIfc is calculated by adding MOly to the product of the club head mass and the transfer distance (TD) squared. Thus,

$$\text{MOIfc} = \text{MOly} + (\text{mass} * (\text{TD})^2)$$

The face closing moment (MOIfc) is important because it represents the resistance that a golfer feels during a swing when trying to bring the club face back to a square position for impact with the golf ball. In other words, as the golf swing returns the golf club head to its original position to impact the golf ball the face begins closing with the goal of being square at impact with the golf ball.

The presently disclosed hollow golf club incorporates stress reducing features unlike prior hollow type golf clubs. The hollow type golf club includes a shaft (200) having a proximal end (210) and a distal end (220); a grip (300) attached to the shaft proximal end (210); and a golf club head (100) attached at the shaft distal end (220), as seen in FIG. 21. The overall hollow type golf club has a club length of at least 36 inches and no more than 45 inches, as measure in accordance with USGA guidelines.

The golf club head (400) itself is a hollow structure that includes a face (500) positioned at a front portion (402) of the golf club head (400) where the golf club head (400) impacts a golf ball, a sole (700) positioned at a bottom portion of the golf club head (400), a crown (600) positioned at a top portion of the golf club head (400), and a skirt (800) positioned around a portion of a periphery of the golf club head (400) between the sole (700) and the crown (800). The face (500), sole (700), crown (600), and skirt (800) define an outer shell that further defines a head volume that is less than 300 cubic centimeters for the golf club head (400). Additionally, the golf club head (400) has a rear portion (404) opposite the face (500). The rear portion (404) includes the trailing edge of the golf club head (400), as is understood by one with skill in the art. The face (500) has a loft (L) of at least 12 degrees and no more than 30 degrees, and the face (500) includes an engineered impact point (EIP) as defined above. One skilled in the art will appreciate that the skirt (800) may be significant at some areas of the golf club head (400) and virtually nonexistent at other areas; particularly at the rear portion (404) of the golf club head (400) where it is not uncommon for it to appear that the crown (600) simply wraps around and becomes the sole (700).

The golf club head (100) includes a bore having a center that defines a shaft axis (SA) that intersects with a horizontal ground plane (GP) to define an origin point, as previously explained. The bore is located at a heel side (406) of the golf club head (400) and receives the shaft distal end (220) for attachment to the golf club head (400). The golf club head (100) also has a toe side (408) located opposite of the heel side (406). The presently disclosed golf club head (400) has a club head mass of less than 270 grams, which combined with the previously disclosed loft, club head volume, and club length establish that the presently disclosed golf club is directed to a hollow golf club such as a fairway wood, hybrid, or hollow iron.

The golf club head (400) may include a stress reducing feature (1000) including a crown located SRF (1100) located on the crown (600), seen in FIG. 22, and/or a sole located SRF (1300) located on the sole (700), seen in FIG. 23. As seen in FIGS. 22 and 25, the crown located SRF (1100) has a CSRF length (1110) between a CSRF toe-most point (1112) and a CSRF heel-most point (1116), a CSRF leading edge (1120), a CSRF trailing edge (1130), a CSRF width (1140), and a CSRF depth (1150). Similarly, as seen in FIGS. 23 and 25, the sole located SRF (1300) has a SSRF length (1310) between a SSRF toe-most point (1312) and a SSRF heel-most point (1316), a SSRF leading edge (1320), a SSRF trailing edge (1330), a SSRF width (1340), and a SSRF depth (1350).

With reference now to FIG. 24, in embodiments which incorporate both a crown located SRF (1100) and a sole located SRF (1300), a SRF connection plane (1500) passes through a portion of the crown located SRF (1100) and the sole located SRF (1300). To locate the SRF connection plane (1500) a vertical section is taken through the club head (400) in a front-to-rear direction, perpendicular to a vertical plane created by the shaft axis (SA); such a section is seen in FIG.

24. Then a crown SRF midpoint of the crown located SRF (1100) is determined at a location on a crown imaginary line following the natural curvature of the crown (600). The crown imaginary line is illustrated in FIG. 24 with a broken, or hidden, line connecting the CSRFB leading edge (1120) to the CSRFB trailing edge (1130), and the crown SRF midpoint is illustrated with an X. Similarly, a sole SRF midpoint of the sole located SRF (1300) is determined at a location on a sole imaginary line following the natural curvature of the sole (700). The sole imaginary line is illustrated in FIG. 24 with a broken, or hidden, line connecting the SSRFB leading edge (1320) to the SSRFB trailing edge (1330), and the sole SRF midpoint is illustrated with an X. Finally, the SRF connection plane (1500) is a plane in the heel-to-toe direction that passes through both the crown SRF midpoint and the sole SRF midpoint, as seen in FIG. 24. While the SRF connection plane (1500) is approximately vertical, the orientation of the SRF connection plane (1500) depends on the locations of the crown located SRF (1100) and the sole located SRF (1300) and may be angled toward the face, as seen in FIG. 26, or angled away from the face, as seen in FIG. 27.

The SRF connection plane (1500) is oriented at a connection plane angle (1510) from the vertical, seen in FIGS. 26 and 27, which aids in defining the location of the crown located SRF (1100) and the sole located SRF (1300). In one particular embodiment the crown located SRF (1100) and the sole located SRF (1300) are not located vertically directly above and below one another; rather, the connection plane angle (1510) is greater than zero and less than ninety percent of a loft (L) of the club head (400), as seen in FIG. 26. The sole located SRF (1300) could likewise be located in front of, i.e. toward the face (500), the crown located SRF (1100) and still satisfy the criteria of this embodiment; namely, that the connection plane angle (1510) is greater than zero and less than ninety percent of a loft of the club head (400).

In an alternative embodiment, seen in FIG. 27, the SRF connection plane (1500) is oriented at a connection plane angle (1510) from the vertical and the connection plane angle (1510) is at least ten percent greater than a loft (L) of the club head (400). The crown located SRF (1100) could likewise be located in front of, i.e. toward the face (500), the sole located SRF (1300) and still satisfy the criteria of this embodiment; namely, that the connection plane angle (1510) is at least ten percent greater than a loft (L) of the club head (400). In an even further embodiment the SRF connection plane (1500) is oriented at a connection plane angle (1510) from the vertical and the connection plane angle (1510) is at least fifty percent greater than a loft (L) of the club head (400), but less than one hundred percent greater than the loft (L). These three embodiments recognize a unique relationship between the crown located SRF (1100) and the sole located SRF (1300) such that they are not vertically aligned with one another, while also not merely offset in a manner matching the loft (L) of the club head (400).

With reference now to FIGS. 30 and 31, in the event that a crown located SRF (1100) or a sole located SRF (1300), or both, do not exist at the location of the CG section, labeled as section 24-24 in FIG. 22, then the crown located SRF (1100) located closest to the front-to-rear vertical plane passing through the CG is selected. For example, as seen in FIG. 30 the right crown located SRF (1100) is nearer to the front-to-rear vertical CG plane than the left crown located SRF (1100). In other words the illustrated distance "A" is smaller for the right crown located SRF (1100). Next, the face centerline (FC) is translated until it passes through both

the CSRFB leading edge (1120) and the CSRFB trailing edge (1130), as illustrated by broken line "B". Then, the midpoint of line "B" is found and labeled "C". Finally, imaginary line "D" is created that is perpendicular to the "B" line.

The same process is repeated for the sole located SRF (1300), as seen in FIG. 31. It is simply a coincidence that both the crown located SRF (1100) and the sole located SRF (1300) located closest to the front-to-rear vertical CG plane are both on the heel side (406) of the golf club head (400). The same process applies even when the crown located SRF (1100) and the sole located SRF (1300) located closest to the front-to-rear vertical CG plane are on opposites sides of the golf club head (400). Now, still referring to FIG. 31, the process first involves identifying that the right sole located SRF (1300) is nearer to the front-to-rear vertical CG plane than the left sole located SRF (1300). In other words the illustrated distance "E" is smaller for the heel-side sole located SRF (1300). Next, the face centerline (FC) is translated until it passes through both the SSRFB leading edge (1320) and the SSRFB trailing edge (1330), as illustrated by broken line "F". Then, the midpoint of line "F" is found and labeled "G". Finally, imaginary line "H" is created that is perpendicular to the "F" line. The plane passing through both the imaginary line "D" and imaginary line "H" is the SRF connection plane (1500).

Next, referring back to FIG. 24, a CG-to-plane offset (1600) is defined as the shortest distance from the center of gravity (CG) to the SRF connection plane (1500), regardless of the location of the CG. In one particular embodiment the CG-to-plane offset (1600) is at least twenty-five percent less than the club moment arm (CMA) and the club moment arm (CMA) is less than 1.3 inches. The locations of the crown located SRF (1100) and the sole located SRF (1300) described herein, and the associated variables identifying the location, are selected to preferably reduce the stress in the face (500) when impacting a golf ball while accommodating temporary flexing and deformation of the crown located SRF (1100) and sole located SRF (1300) in a stable manner in relation to the CG location, and/or origin point, while maintaining the durability of the face (500), the crown (600), and the sole (700). Experimentation and modeling has shown that the crown located SRF (1100) and the sole located SRF (1300) increase the deflection of the face (500), while also reduce the peak stress on the face (500) at impact with a golf ball. This reduction in stress allows a substantially thinner face to be utilized, permitting the weight savings to be distributed elsewhere in the club head (400). Further, the increased deflection of the face (500) facilitates improvements in the coefficient of restitution (COR) of the club head (400), particularly for club heads having a volume of 300 cc or less.

In fact, further embodiments even more precisely identify the location of the crown located SRF (1100) and/or the sole located SRF (1300) to achieve these objectives. For instance, in one further embodiment the CG-to-plane offset (1600) is at least twenty-five percent of the club moment arm (CMA) and less than seventy-five percent of the club moment arm (CMA). In still a further embodiment, the CG-to-plane offset (1600) is at least forty percent of the club moment arm (CMA) and less than sixty percent of the club moment arm (CMA).

Alternatively, another embodiment relates the location of the crown located SRF (1100) and/or the sole located SRF (1300) to the difference between the maximum top edge height (TEH) and the minimum lower edge (LEH), referred to as the face height, rather than utilizing the CG-to-plane offset (1600) variable as previously discussed to accommo-

date embodiments in which a single SRF is present. As such, two additional variables are illustrated in FIG. 24, namely the CSRFB leading edge offset (1122) and the SSRFB leading edge offset (1322). The CSRFB leading edge offset (1122) is the distance from any point along the CSRFB leading edge (1120) directly forward, in the Zcg direction, to the point at the top edge (510) of the face (500). Thus, the CSRFB leading edge offset (1122) may vary along the length of the CSRFB leading edge (1120), or it may be constant if the curvature of the CSRFB leading edge (1120) matches the curvature of the top edge (510) of the face (500). Nonetheless, there will always be a minimum CSRFB leading edge offset (1122) at the point along the CSRFB leading edge (1120) that is the closest to the corresponding point directly in front of it on the face top edge (510), and there will be a maximum CSRFB leading edge offset (1122) at the point along the CSRFB leading edge (1120) that is the farthest from the corresponding point directly in front of it on the face top edge (510). Likewise, the SSRFB leading edge offset (1322) is the distance from any point along the SSRFB leading edge (1320) directly forward, in the Zcg direction, to the point at the lower edge (520) of the face (500). Thus, the SSRFB leading edge offset (1322) may vary along the length of the SSRFB leading edge (1320), or it may be constant if the curvature of the SSRFB leading edge (1320) matches the curvature of the lower edge (520) of the face (500). Nonetheless, there will always be a minimum SSRFB leading edge offset (1322) at the point along the SSRFB leading edge (1320) that is the closest to the corresponding point directly in front of it on the face lower edge (520), and there will be a maximum SSRFB leading edge offset (1322) at the point along the SSRFB leading edge (1320) that is the farthest from the corresponding point directly in front of it on the face lower edge (520). Generally, the maximum CSRFB leading edge offset (1122) and the maximum SSRFB leading edge offset (1322) will be less than seventy-five percent of the face height. For the purposes of this application and ease of definition, the face top edge (510) is the series of points along the top of the face (500) at which the vertical face roll becomes less than one inch, and similarly the face lower edge (520) is the series of points along the bottom of the face (500) at which the vertical face roll becomes less than one inch.

In this particular embodiment, the minimum CSRFB leading edge offset (1122) is less than the face height, while the minimum SSRFB leading edge offset (1322) is at least two percent of the face height. In an even further embodiment, the maximum CSRFB leading edge offset (1122) is also less than the face height. Yet another embodiment incorporates a minimum CSRFB leading edge offset (1122) that is at least ten percent of the face height, and the minimum CSRFB width (1140) is at least fifty percent of the minimum CSRFB leading edge offset (1122). A still further embodiment more narrowly defines the minimum CSRFB leading edge offset (1122) as being at least twenty percent of the face height.

Likewise, many embodiments are directed to advantageous relationships of the sole located SRF (1300). For instance, in one embodiment, the minimum SSRFB leading edge offset (1322) is at least ten percent of the face height, and the minimum SSRFB width (1340) is at least fifty percent of the minimum SSRFB leading edge offset (1322). Even further, another embodiment more narrowly defines the minimum SSRFB leading edge offset (1322) as being at least twenty percent of the face height.

Still further building upon the relationships among the CSRFB leading edge offset (1122), the SSRFB leading edge offset (1322), and the face height, one embodiment further includes an engineered impact point (EIP) having a Yeip

coordinate such that the difference between Yeip and Ycg is less than 0.5 inches and greater than -0.5 inches; a Xcgp coordinate such that the difference between Xcgp and Xcg is less than 0.5 inches and greater than -0.5 inches; and a Zeip coordinate such that the total of Zeip and Zcg is less than 2.0 inches. These relationships among the location of the engineered impact point (EIP) and the location of the center of gravity (CG) in combination with the leading edge locations of the crown located SRF (1100) and/or the sole located SRF (1300) promote stability at impact, while accommodating desirable deflection of the SRFs (1100, 1300) and the face (500), while also maintaining the durability of the club head (400) and reducing the peak stress experienced in the face (500).

While the location of the crown located SRF (1100) and/or the sole located SRF (1300) is important in achieving these objectives, the size of the crown located SRF (1100) and the sole located SRF (1300) also plays a role. In one particular long blade length embodiment directed to fairway wood type golf clubs and hybrid type golf clubs, illustrated in FIGS. 42 and 43, the golf club head (400) has a blade length (BL) of at least 3.0 inches with a heel blade length section (Abl) of at least 0.8 inches. In this embodiment, preferable results are obtained when the CSRFB length (1110) is at least as great as the heel blade length section (Abl) and the maximum CSRFB depth (1150) is at least ten percent of the Ycg distance, thereby permitting adequate compression and/or flexing of the crown located SRF (1100) to significantly reduce the stress on the face (500) at impact. Similarly, in some SSRFB embodiments, preferable results are obtained when the SSRFB length (1310) is at least as great as the heel blade length section (Abl) and the maximum SSRFB depth (1350) is at least ten percent of the Ycg distance, thereby permitting adequate compression and/or flexing of the sole located SRF (1300) to significantly reduce the stress on the face (500) at impact. It should be noted at this point that the cross-sectional profile of the crown located SRF (1100) and the sole mounted SRF (1300) may include any number of shapes including, but not limited to, a box-shape, as seen in FIG. 24, a smooth U-shape, as seen in FIG. 28, and a V-shape, as seen in FIG. 29. Further, the crown located SRF (1100) and the sole located SRF (1300) may include reinforcement areas as seen in FIGS. 40 and 41 to further selectively control the deformation of the SRFs (1100, 1300). Additionally, the CSRFB length (1110) and the SSRFB length (1310) are measured in the same direction as Xcg rather than along the curvature of the SRFs (1100, 1300), if curved.

The crown located SRF (1100) has a CSRFB wall thickness (1160) and sole located SRF (1300) has a SSRFB wall thickness (1360), as seen in FIG. 25. In most embodiments the CSRFB wall thickness (1160) and the SSRFB wall thickness (1360) will be at least 0.010 inches and no more than 0.150 inches. In particular embodiment has found that having the CSRFB wall thickness (1160) and the SSRFB wall thickness (1360) in the range of ten percent to sixty percent of the face thickness (530) achieves the required durability while still providing desired stress reduction in the face (500) and deflection of the face (500). Further, this range facilitates the objectives while not have a dilutive effect, nor overly increasing the weight distribution of the club head (400) in the vicinity of the SRFs (1100, 1300).

Further, the terms maximum CSRFB depth (1150) and maximum SSRFB depth (1350) are used because the depth of the crown located SRF (1100) and the depth of the sole located SRF (1300) need not be constant; in fact, they are likely to vary, as seen in FIGS. 32-35. Additionally, the end

walls of the crown located SRF (1100) and the sole located SRF (1300) need not be distinct, as seen on the right and left side of the SRFs (1100, 1300) seen in FIG. 35, but may transition from the maximum depth back to the natural contour of the crown (600) or sole (700). The transition need not be smooth, but rather may be stepwise, compound, or any other geometry. In fact, the presence or absence of end walls is not necessary in determining the bounds of the claimed golf club. Nonetheless, a criteria needs to be established for identifying the location of the CSRF toe-most point (1112), the CSRF heel-most point (1116), the SSRF toe-most point (1312), and the SSRF heel-most point (1316); thus, when not identifiable via distinct end walls, these points occur where a deviation from the natural curvature of the crown (600) or sole (700) is at least ten percent of the maximum CSRF depth (1150) or maximum SSRF depth (1350). In most embodiments a maximum CSRF depth (1150) and a maximum SSRF depth (1350) of at least 0.100 inches and no more than 0.500 inches is preferred.

The CSRF leading edge (1120) may be straight or may include a CSRF leading edge radius of curvature (1124), as seen in FIG. 36. Likewise, the SSRF leading edge (1320) may be straight or may include a SSRF leading edge radius of curvature (1324), as seen in FIG. 37. One particular embodiment incorporates both a curved CSRF leading edge (1120) and a curved SSRF leading edge (1320) wherein both the CSRF leading edge radius of curvature (1124) and the SSRF leading edge radius of curvature (1324) are within forty percent of the curvature of the bulge of the face (500). In an even further embodiment both the CSRF leading edge radius of curvature (1124) and the SSRF leading edge radius of curvature (1324) are within twenty percent of the curvature of the bulge of the face (500). These curvatures further aid in the controlled deflection of the face (500).

One particular embodiment, illustrated in FIGS. 32-35, has a CSRF depth (1150) that is less at the face centerline (FC) than at a point on the toe side (408) of the face centerline (FC) and at a point on the heel side (406) of the face centerline (FC), thereby increasing the potential deflection of the face (500) at the heel side (406) and the toe side (408), where the COR is generally lower than the USGA permitted limit. In another embodiment, the crown located SRF (1100) and/or the sole located SRF (1300) have reduced depth regions, namely a CSRF reduced depth region (1152) and a SSRF reduced depth region (1352), as seen in FIG. 35. Each reduced depth region is characterized as a continuous region having a depth that is at least twenty percent less than the maximum depth for the particular SRF (1100, 1300). The CSRF reduced depth region (1152) has a CSRF reduced depth length (1154) and the SSRF reduced depth region (1352) has a SSRF reduced depth length (1354). In one particular embodiment, each reduced depth length (1154, 1354) is at least fifty percent of the heel blade length section (Abl). A further embodiment has the CSRF reduced depth region (1152) and the SSRF reduced depth region (1352) approximately centered about the face centerline (FC), as seen in FIG. 35. Yet another embodiment incorporates a design wherein the CSRF reduced depth length (1154) is at least thirty percent of the CSRF length (1110), and/or the SSRF reduced depth length (1354) is at least thirty percent of the SSRF length (1310). In addition to aiding in achieving the objectives set out above, the reduced depth regions (1152, 1352) may improve the life of the SRFs (1100, 1300) and reduce the likelihood of premature failure, while increasing the COR at desirable locations on the face (500).

As seen in FIG. 25, the crown located SRF (1100) has a CSRF cross-sectional area (1170) and the sole located SRF (1300) has a SSRF cross-sectional area (1370). The cross-sectional areas are measured in cross-sections that run from the front portion (402) to the rear portion (404) of the club head (400) in a vertical plane. Just as the cross-sectional profiles (1190, 1390) of FIGS. 28 and 29 may change throughout the CSRF length (1110) and the SSRF length (1310), the CSRF cross-sectional area (1170) and/or the SSRF cross-sectional area (1370) may also vary along the lengths (1110, 1310). In fact, in one particular embodiment, the CSRF cross-sectional area (1170) is less at the face centerline (FC) than at a point on the toe side (408) of the face centerline (FC) and a point on the heel side (406) of the face centerline (FC). Similarly, in another embodiment, the SSRF cross-sectional area (1370) is less at the face centerline than at a point on the toe side (408) of the face centerline (FC) and a point on the heel side (406) of the face centerline (FC); and yet a third embodiment incorporates both of the prior two embodiments related to the CSRF cross-sectional area (1170) and the SSRF cross-sectional area (1370). In one particular embodiment, the CSRF cross-sectional area (1170) and/or the SSRF cross-sectional area (1370) fall within the range of 0.005 square inches to 0.375 square inches. Additionally, the crown located SRF (1100) has a CSRF volume and the sole located SRF (1300) has a SSRF volume. In one embodiment the combined CSRF volume and SSRF volume is at least 0.5 percent of the club head volume and less than 10 percent of the club head volume, as this range facilitates the objectives while not have a dilutive effect, nor overly increasing the weight distribution of the club head (400) in the vicinity of the SRFs (1100, 1300). In yet another embodiment directed to single SRF variations, the individual volume of the CSRF volume or the SSRF volume is preferably at least 1 percent of the club head volume and less than 5 percent of the club head volume to facilitate the objectives while not have a dilutive effect, nor overly increasing the weight distribution of the club head (400) in the vicinity of the SRFs (1100, 1300). The volumes discussed above are not meant to limit the SRFs (1100, 1300) to being hollow channels, for instance the volumes discussed will still exist even if the SRFs (1100, 1300) are subsequently filled with a secondary material, as seen in FIG. 51, or covered, such that the volume is not visible to a golfer. The secondary material should be elastic, have a compressive strength less than half of the compressive strength of the outer shell, and a density less than 3 g/cm³.

Now, in another separate embodiment seen in FIGS. 36 and 37, a CSRF origin offset (1118) is defined as the distance from the origin point to the CSRF heel-most point (1116) in the same direction as the Xcg distance such that the CSRF origin offset (1118) is a positive value when the CSRF heel-most point (1116) is located toward the toe side (408) of the golf club head (400) from the origin point, and the CSRF origin offset (1118) is a negative value when the CSRF heel-most point (1116) is located toward the heel side (406) of the golf club head (400) from the origin point. Similarly, in this embodiment, a SSRF origin offset (1318) is defined as the distance from the origin point to the SSRF heel-most point (1316) in the same direction as the Xcg distance such that the SSRF origin offset (1318) is a positive value when the SSRF heel-most point (1316) is located toward the toe side (408) of the golf club head (400) from the origin point, and the SSRF origin offset (1318) is a negative value when the SSRF heel-most point (1316) is located toward the heel side (406) of the golf club head (400) from the origin point.

In one particular embodiment, seen in FIG. 37, the SSRF origin offset (1318) is a positive value, meaning that the SSRF heel-most point (1316) stops short of the origin point. Further, yet another separate embodiment is created by combining the embodiment illustrated in FIG. 36 wherein the CSRf origin offset (1118) is a negative value, in other words the CSRf heel-most point (1116) extends past the origin point, and the magnitude of the CSRf origin offset (1118) is at least five percent of the heel blade length section (Abl). However, an alternative embodiment incorporates a CSRf heel-most point (1116) that does not extend past the origin point and therefore the CSRf origin offset (1118) is a positive value with a magnitude of at least five percent of the heel blade length section (Abl). In these particular embodiments, locating the CSRf heel-most point (1116) and the SSRf heel-most point (1316) such that they are no closer to the origin point than five percent of the heel blade length section (Abl) is desirable in achieving many of the objectives discussed herein over a wide range of ball impact locations.

Still further embodiments incorporate specific ranges of locations of the CSRf toe-most point (1112) and the SSRf toe-most point (1312) by defining a CSRf toe offset (1114) and a SSRf toe offset (1314), as seen in FIGS. 36 and 37. The CSRf toe offset (1114) is the distance measured in the same direction as the Xcg distance from the CSRf toe-most point (1112) to the most distant point on the toe side (408) of golf club head (400) in this direction, and likewise the SSRf toe offset (1314) is the distance measured in the same direction as the Xcg distance from the SSRf toe-most point (1312) to the most distant point on the toe side (408) of golf club head (400) in this direction. One particular embodiment found to produce preferred face stress distribution and compression and flexing of the crown located SRF (1100) and the sole located SRF (1300) incorporates a CSRf toe offset (1114) that is at least fifty percent of the heel blade length section (Abl) and a SSRf toe offset (1314) that is at least fifty percent of the heel blade length section (Abl). In yet a further embodiment the CSRf toe offset (1114) and the SSRf toe offset (1314) are each at least fifty percent of a golf ball diameter; thus, the CSRf toe offset (1114) and the SSRf toe offset (1314) are each at 0.84 inches. These embodiments also minimally affect the integrity of the club head (400) as a whole, thereby ensuring the desired durability, particularly at the heel side (406) and the toe side (408) while still allowing for improved face deflection during off center impacts.

Even more embodiments now turn the focus to the size of the crown located SRF (1100) and the sole located SRF (1300). One such embodiment has a maximum CSRf width (1140) that is at least ten percent of the Zcg distance, and the maximum SSRf width (1340) is at least ten percent of the Zcg distance, further contributing to increased stability of the club head (400) at impact. Still further embodiments increase the maximum CSRf width (1140) and the maximum SSRf width (1340) such that they are each at least forty percent of the Zcg distance, thereby promoting deflection and selectively controlling the peak stresses seen on the face (500) at impact. An alternative embodiment relates the maximum CSRf depth (1150) and the maximum SSRf depth (1350) to the face height rather than the Zcg distance as discussed above. For instance, yet another embodiment incorporates a maximum CSRf depth (1150) that is at least five percent of the face height, and a maximum SSRf depth (1350) that is at least five percent of the face height. An even further embodiment incorporates a maximum CSRf depth (1150) that is at least twenty percent of the face height, and

a maximum SSRf depth (1350) that is at least twenty percent of the face height, again, promoting deflection and selectively controlling the peak stresses seen on the face (500) at impact. In most embodiments a maximum CSRf width (1140) and a maximum SSRf width (1340) of at least 0.050 inches and no more than 0.750 inches is preferred.

Additional embodiments focus on the location of the crown located SRF (1100) and the sole located SRF (1300) with respect to a vertical plane defined by the shaft axis (SA) and the Xcg direction. One such embodiment has recognized improved stability and lower peak face stress when the crown located SRF (1100) and/or the sole located SRF (1300) are located behind the shaft axis plane. Further embodiments additionally define this relationship. In one such embodiment, the CSRf leading edge (1120) is located behind the shaft axis plane a distance that is at least twenty percent of the Zcg distance. Yet another embodiment focuses on the location of the sole located SRF (1300) such that the SSRf leading edge (1320) is located behind the shaft axis plane a distance that is at least ten percent of the Zcg distance. An even further embodiment focusing on the crown located SRF (1100) incorporates a CSRf leading edge (1120) that is located behind the shaft axis plane a distance that is at least seventy-five percent of the Zcg distance. A similar embodiment directed to the sole located SRF (1300) has a SSRf leading edge (1320) that is located behind the shaft axis plane a distance that is at least seventy-five percent of the Zcg distance. Similarly, the locations of the CSRf leading edge (1120) and SSRf leading edge (1320) behind the shaft axis plane may also be related to the face height instead of the Zcg distance discussed above. For instance, in one embodiment, the CSRf leading edge (1120) is located a distance behind the shaft axis plane that is at least ten percent of the face height. A further embodiment focuses on the location of the sole located SRF (1300) such that the SSRf leading edge (1320) is located behind the shaft axis plane a distance that is at least five percent of the Zcg distance. An even further embodiment focusing on both the crown located SRF (1100) and the sole located SRF (1300) incorporates a CSRf leading edge (1120) that is located behind the shaft axis plane a distance that is at least fifty percent of the face height, and a SSRf leading edge (1320) that is located behind the shaft axis plane a distance that is at least fifty percent of the face height.

The club head (400) is not limited to a single crown located SRF (1100) and/or a single sole located SRF (1300). In fact, many embodiments incorporating multiple crown located SRFs (1100) and/or multiple sole located SRFs (1300) are illustrated in FIGS. 30, 31, and 39, showing that the multiple SRFs (1100, 1300) may be positioned beside one another in a heel-toe relationship, or may be positioned behind one another in a front-rear orientation. As such, one particular embodiment includes at least two crown located SRFs (1100) positioned on opposite sides of the engineered impact point (EIP) when viewed in a top plan view, as seen in FIG. 31, thereby further selectively increasing the COR and improving the peak stress on the face (500). Traditionally, the COR of the face (500) gets smaller as the measurement point is moved further away from the engineered impact point (EIP); and thus golfers that hit the ball toward the heel side (406) or toe side (408) of a golf club head do not benefit from a high COR. As such, positioning of the two crown located SRFs (1100) seen in FIG. 30 facilitates additional face deflection for shots struck toward the heel side (406) or toe side (408) of the golf club head (400).

Another embodiment, as seen in FIG. 31, incorporates the same principles just discussed into multiple sole located SRFs (1300).

The impact of a club head (400) and a golf ball may be simulated in many ways, both experimentally and via computer modeling. First, an experimental process will be explained because it is easy to apply to any golf club head and is free of subjective considerations. The process involves applying a force to the face (500) distributed over a 0.6 inch diameter centered about the engineered impact point (EIP). A force of 4000 lbf is representative of an approximately 100 mph impact between a club head (400) and a golf ball, and more importantly it is an easy force to apply to the face and reliably reproduce. The club head boundary condition consists of fixing the rear portion (404) of the club head (400) during application of the force. In other words, a club head (400) can easily be secured to a fixture within a material testing machine and the force applied. Generally, the rear portion (404) experiences almost no load during an actual impact with a golf ball, particularly as the "front-to-back" dimension (FB) increases. The peak deflection of the face (500) under the force is easily measured and is very close to the peak deflection seen during an actual impact, and the peak deflection has a linear correlation to the COR. A strain gauge applied to the face (500) can measure the actual stress. This experimental process takes only minutes to perform and a variety of forces may be applied to any club head (400); further, computer modeling of a distinct load applied over a certain area of a club face (500) is much quicker to simulate than an actual dynamic impact.

A graph of displacement versus load is illustrated in FIG. 44 for a club head having no stress reducing feature (1000), a club head (400) having only a sole located SRF (1300), and a club head (400) having both a crown located SRF (1100) and a sole located SRF (1300), at the following loads of 1000 lbf, 2000 lbf, 3000 lbf, and 4000 lbf, all of which are distributed over a 0.6 inch diameter area centered on the engineered impact point (EIP). The face thickness (530) was held a constant 0.090 inches for each of the three club heads. Incorporation of a crown located SRF (1100) and a sole located SRF (1300) as described herein increases face deflection by over 11% at the 4000 lbf load level, from a value of 0.027 inches to 0.030 inches. In one particular embodiment, the increased deflection resulted in an increase in the characteristic time (CT) of the club head from 187 microseconds to 248 microseconds. A graph of peak face stress versus load is illustrated in FIG. 45 for the same three variations just discussed with respect to FIG. 44. FIG. 45 nicely illustrates that incorporation of a crown located SRF (1100) and a sole located SRF (1300) as described herein reduces the peak face stress by almost 25% at the 4000 lbf load level, from a value of 170.4 ksi to 128.1 ksi. The stress reducing feature (1000) permits the use of a very thin face (500) without compromising the integrity of the club head (400). In fact, the face thickness (530) may vary from 0.050 inches, up to 0.120 inches.

Combining the information seen in FIGS. 44 and 45, a new ratio may be developed; namely, a stress-to-deflection ratio of the peak stress on the face to the displacement at a given load, as seen in FIG. 46. In one embodiment, the stress-to-deflection ratio is less than 5000 ksi per inch of deflection, wherein the approximate impact force is applied to the face (500) over a 0.6 inch diameter, centered on the engineered impact point (EIP), and the approximate impact force is at least 1000 lbf and no more than 4000 lbf, the club head volume is less than 300 cc, and the face thickness (530)

is less than 0.120 inches. In yet a further embodiment, the face thickness (530) is less than 0.100 inches and the stress-to-deflection ratio is less than 4500 ksi per inch of deflection; while an even further embodiment has a stress-to-deflection ratio that is less than 4300 ksi per inch of deflection.

In addition to the unique stress-to-deflection ratios just discussed, one embodiment of the present invention further includes a face (500) having a characteristic time of at least 220 microseconds and the head volume is less than 200 cubic centimeters. Even further, another embodiment goes even further and incorporates a face (500) having a characteristic time of at least 240 microseconds, a head volume that is less than 170 cubic centimeters, a face height between the maximum top edge height (TEH) and the minimum lower edge (LEH) that is less than 1.50 inches, and a vertical roll radius between 7 inches and 13 inches, which further increases the difficulty in obtaining such a high characteristic time, small face height, and small volume golf club head.

Those skilled in the art know that the characteristic time, often referred to as the CT, value of a golf club head is limited by the equipment rules of the United States Golf Association (USGA). The rules state that the characteristic time of a club head shall not be greater than 239 microseconds, with a maximum test tolerance of 18 microseconds. Thus, it is common for golf clubs to be designed with the goal of a 239 microsecond CT, knowing that due to manufacturing variability that some of the heads will have a CT value higher than 239 microseconds, and some will be lower. However, it is critical that the CT value does not exceed 257 microseconds or the club will not conform to the USGA rules. The USGA publication "Procedure for Measuring the Flexibility of a Golf Clubhead," Revision 2.0, Mar. 25, 2005, is the current standard that sets forth the procedure for measuring the characteristic time.

With reference now to FIGS. 47-49, another embodiment of the crown located SRF (1100) may include a CSRF aperture (1200) recessed from the crown (600) and extending through the outer shell. As seen in FIG. 49, the CSRF aperture (1200) is located at a CSRF aperture depth (1250) measured vertically from the top edge height (TEH) toward the center of gravity (CG), keeping in mind that the top edge height (TEH) varies across the face (500) from the heel side (406) to the toe side (408). Therefore, as illustrated in FIG. 49, to determine the CSRF aperture depth (1250) one must first take a section in the front-to-rear direction of the club head (400), which establishes the top edge height (TEH) at this particular location on the face (500) that is then used to determine the CSRF aperture depth (1250) at this particular location along the CSRF aperture (1200). For instance, as seen in FIG. 47, the section that is illustrated in FIG. 49 is taken through the center of gravity (CG) location, which is just one of an infinite number of sections that can be taken between the origin and the toewardmost point on the club head (400). Just slightly to the left of the center of gravity (CG) in FIG. 47 is a line representing the face center (FC), if a section such as that of FIG. 49 were taken along the face center (FC) it would illustrate that the top edge height (TEH) is generally the greatest at this point.

At least a portion of the CSRF aperture depth (1250) is greater than zero. This means that at some point along the CSRF aperture (1200), the CSRF aperture (1200) will be located below the elevation of the top of the face (400) directly in front of the point at issue, as illustrated in FIG. 49. In one particular embodiment the CSRF aperture (1200) has a maximum CSRF aperture depth (1250) that is at least ten

percent of the Ycg distance. An even further embodiment incorporates a CSRF aperture (1200) that has a maximum CSRF aperture depth (1250) that is at least fifteen percent of the Ycg distance. Incorporation of a CSRF aperture depth (1250) that is greater than zero, and in some embodiments greater than a certain percentage of the Ycg distance, preferably reduces the stress in the face (500) when impacting a golf ball while accommodating temporary flexing and deformation of the crown located SRF (1100) in a stable manner in relation to the CG location, engineered impact point (EIP), and/or outer shell, while maintaining the durability of the face (500) and the crown (600).

The CSRF aperture (1200) has a CSRF aperture width (1240) separating a CSRF leading edge (1220) from a CSRF aperture trailing edge (1230), again measured in a front-to-rear direction as seen in FIG. 49. In one embodiment the CSRF aperture (1200) has a maximum CSRF aperture width (1240) that is at least twenty-five percent of the maximum CSRF aperture depth (1250) to allow preferred flexing and deformation while maintaining durability and stability upon repeated impacts with a golf ball. An even further variation achieves these goals by maintaining a maximum CSRF aperture width (1240) that is less than maximum CSRF aperture depth (1250). In yet another embodiment the CSRF aperture (1200) also has a maximum CSRF aperture width (1240) that is at least fifty percent of a minimum face thickness (530), while optionally also being less than the maximum face thickness (530).

In furtherance of these desirable properties, the CSRF aperture (1200) has a CSRF aperture length (1210) between a CSRF aperture toe-most point (1212) and a CSRF aperture heel-most point (1216) that is at least fifty percent of the Xcg distance. In yet another embodiment the CSRF aperture length (1210) is at least as great as the heel blade length section (Abl), or even further in another embodiment in which the CSRF aperture length (1210) is also at least fifty percent of the blade length (BL).

Referring again to FIG. 49, the CSRF aperture leading edge (1220) has a CSRF aperture leading edge offset (1222). In one embodiment preferred flexing and deformation occur, while maintaining durability, when the minimum CSRF aperture leading edge offset (1222) is at least ten percent of the difference between the maximum top edge height (TEH) and the minimum lower edge height (LEH). Even further, another embodiment has found preferred characteristics when the minimum CSRF aperture leading edge offset (1222) is at least twenty percent of the difference between the maximum top edge height (TEH) and the minimum lower edge height (LEH), and optionally when the maximum CSRF aperture leading edge offset (1222) is less than seventy-five percent of the difference between the maximum top edge height (TEH) and the minimum lower edge height (LEH).

Again with reference now to FIGS. 47-49 but now turning our attention to the sole located SRF (1300), an embodiment of the sole located SRF (1300) may include a SSRF aperture (1400) recessed from the sole (700) and extending through the outer shell. As seen in FIG. 49, the SSRF aperture (1400) is located at a SSRF aperture depth (1450) measured vertically from the leading edge height (LEH) toward the center of gravity (CG), keeping in mind that the leading edge height (LEH) varies across the face (500) from the heel side (406) to the toe side (408). Therefore, as illustrated in FIG. 49, to determine the SSRF aperture depth (1450) one must first take a section in the front-to-rear direction of the club head (400), which establishes the leading edge height (LEH) at this particular location on the face (500) that is then used

to determine the SSRF aperture depth (1450) at this particular location along the SSRF aperture (1400). For instance, as seen in FIG. 47, the section that is illustrated in FIG. 49 is taken through the center of gravity (CG) location, which is just one of an infinite number of sections that can be taken between the origin and the toewardmost point on the club head (400). Just slightly to the left of the center of gravity (CG) in FIG. 47 is a line representing the face center (FC), if a section such as that of FIG. 49 were taken along the face center (FC) it would illustrate that the leading edge height (LEH) is generally the least at this point.

At least a portion of the SSRF aperture depth (1450) is greater than zero. This means that at some point along the SSRF aperture (1400), the SSRF aperture (1400) will be located above the elevation of the bottom of the face (400) directly in front of the point at issue, as illustrated in FIG. 49. In one particular embodiment the SSRF aperture (1400) has a maximum SSRF aperture depth (1450) that is at least ten percent of the Ycg distance. An even further embodiment incorporates a SSRF aperture (1400) that has a maximum SSRF aperture depth (1450) that is at least fifteen percent of the Ycg distance. Incorporation of a SSRF aperture depth (1450) that is greater than zero, and in some embodiments greater than a certain percentage of the Ycg distance, preferably reduces the stress in the face (500) when impacting a golf ball while accommodating temporary flexing and deformation of the sole located SRF (1300) in a stable manner in relation to the CG location, engineered impact point (EIP), and/or outer shell, while maintaining the durability of the face (500) and the sole (700).

The SSRF aperture (1400) has a SSRF aperture width (4240) separating a SSRF leading edge (1420) from a SSRF aperture trailing edge (1430), again measured in a front-to-rear direction as seen in FIG. 49. In one embodiment the SSRF aperture (1400) has a maximum SSRF aperture width (1440) that is at least twenty-five percent of the maximum SSRF aperture depth (1450) to allow preferred flexing and deformation while maintaining durability and stability upon repeated impacts with a golf ball. An even further variation achieves these goals by maintaining a maximum SSRF aperture width (1440) that is less than maximum SSRF aperture depth (1450). In yet another embodiment the SSRF aperture (1400) also has a maximum SSRF aperture width (1440) that is at least fifty percent of a minimum face thickness (530), while optionally also being less than the maximum face thickness (530).

In furtherance of these desirable properties, the SSRF aperture (1400) has a SSRF aperture length (1410) between a SSRF aperture toe-most point (1412) and a SSRF aperture heel-most point (1416) that is at least fifty percent of the Xcg distance. In yet another embodiment the SSRF aperture length (1410) is at least as great as the heel blade length section (Abl), or even further in another embodiment in which the SSRF aperture length (1410) is also at least fifty percent of the blade length (BL).

Referring again to FIG. 49, the SSRF aperture leading edge (1420) has a SSRF aperture leading edge offset (1422). In one embodiment preferred flexing and deformation occur, while maintaining durability, when the minimum SSRF aperture leading edge offset (1422) is at least ten percent of the difference between the maximum top edge height (TEH) and the minimum lower edge height (LEH). Even further, another embodiment has found preferred characteristics when the minimum SSRF aperture leading edge offset (1422) is at least twenty percent of the difference between the maximum top edge height (TEH) and the minimum lower edge height (LEH), and optionally when the maximum

SSRF aperture leading edge offset (1422) less than seventy-five percent of the difference between the maximum top edge height (TEH) and the minimum lower edge height (LEH).

As previously discussed, the SRFs (1100, 1300) may be subsequently filled with a secondary material, as seen in FIG. 51, or covered, such that the volume is not visible to a golfer, similarly, the apertures (1200, 1400) may be covered or filled so that they are not noticeable to a user, and so that material and moisture is not unintentionally introduced into the interior of the club head. In other words, one need not be able to view the inside of the club head through the aperture (1200, 1400) in order for the aperture (1200, 1400) to exist. The apertures (1200, 1400) may be covered by a badge extending over the apertures (1200, 1400), or a portion of such cover may extend into the apertures (1200, 1400), as seen in FIG. 52. If a portion of the cover extends into the aperture (1200, 1400) then that portion should be compressible and have a compressive strength that is less than fifty percent of the compressive strength of the outer shell. A badge extending over the aperture (1200, 1400) may be attached to the outer shell on only one side of the aperture (1200, 1400), or on both sides of the aperture (1200, 1400) if the badge is not rigid or utilizes non-rigid connection methods to secure the badge to the outer shell.

The size, location, and configuration of the CSRf aperture (1200) and the SSRf aperture (1400) are selected to preferably reduce the stress in the face (500) when impacting a golf ball while accommodating temporary flexing and deformation of the crown located SRF (1100) and sole located SRF (1300) in a stable manner in relation to the CG location, and/or origin point, while maintaining the durability of the face (500), the crown (600), and the sole (700). While the generally discussed apertures (1200, 1400) of FIGS. 47-49 are illustrated in the bottom wall of the SRF's (1100, 1300), the apertures (1200, 1400) may be located at other locations in the SRF's (1100, 1300) including the front wall as seen in the CSRf aperture (1100) of FIG. 50 and both the CSRf aperture (1200) and SSRf aperture (1400) of FIG. 53, as well as the rear wall as seen in the SSRf aperture (1400) of FIG. 50.

As previously explained, the golf club head (100) has a blade length (BL) that is measured horizontally from the origin point toward the toe side of the golf club head a distance that is parallel to the face and the ground plane (GP) to the most distant point on the golf club head in this direction. In one particular embodiment, the golf club head (100) has a blade length (BL) of at least 3.1 inches, a heel blade length section (Abl) is at least 1.1 inches, and a club moment arm (CMA) of less than 1.3 inches, thereby producing a long blade length golf club having reduced face stress, and improved characteristic time qualities, while not being burdened by the deleterious effects of having a large club moment arm (CMA), as is common in oversized fairway woods. The club moment arm (CMA) has a significant impact on the ball flight of off-center hits. Importantly, a shorter club moment arm (CMA) produces less variation between shots hit at the engineered impact point (EIP) and off-center hits. Thus, a golf ball struck near the heel or toe of the present invention will have launch conditions more similar to a perfectly struck shot. Conversely, a golf ball struck near the heel or toe of an oversized fairway wood with a large club moment arm (CMA) would have significantly different launch conditions than a ball struck at the engineered impact point (EIP) of the same oversized fairway wood. Generally, larger club moment arm (CMA) golf clubs impart higher spin rates on the golf ball when perfectly

struck in the engineered impact point (EIP) and produce larger spin rate variations in off-center hits. Therefore, yet another embodiment incorporate a club moment arm (CMA) that is less than 1.1 inches resulting in a golf club with more efficient launch conditions including a lower ball spin rate per degree of launch angle, thus producing a longer ball flight.

Conventional wisdom regarding increasing the Z_{cg} value to obtain club head performance has proved to not recognize that it is the club moment arm (CMA) that plays a much more significant role in golf club performance and ball flight. Controlling the club moments arm (CMA), along with the long blade length (BL), long heel blade length section (Abl), while improving the club head's ability to distribute the stresses of impact and thereby improving the characteristic time across the face, particularly off-center impacts, yields launch conditions that vary significantly less between perfect impacts and off-center impacts than has been seen in the past. In another embodiment, the ratio of the golf club head front-to-back dimension (FB) to the blade length (BL) is less than 0.925, as seen in FIGS. 6 and 13. In this embodiment, the limiting of the front-to-back dimension (FB) of the club head (100) in relation to the blade length (BL) improves the playability of the club, yet still achieves the desired high improvements in characteristic time, face deflection at the heel and toe sides, and reduced club moment arm (CMA). The reduced front-to-back dimension (FB), and associated reduced Z_{cg} , of the present invention also significantly reduces dynamic lofting of the golf club head. Increasing the blade length (BL) of a fairway wood, while decreasing the front-to-back dimension (FB) and incorporating the previously discussed characteristics with respect to the stress reducing feature (1000), minimum heel blade length section (Abl), and maximum club moment arm (CMA), produces a golf club head that has improved playability that would not be expected by one practicing conventional design principles. In yet a further embodiment a unique ratio of the heel blade length section (Abl) to the golf club head front-to-back dimension (FB) has been identified and is at least 0.32. Yet another embodiment incorporates a ratio of the club moment arm (CMA) to the heel blade length section (Abl). In this embodiment the ratio of club moment arm (CMA) to the heel blade length section (Abl) is less than 0.9. Still a further embodiment uniquely characterizes the present fairway wood golf club head with a ratio of the heel blade length section (Abl) to the blade length (BL) that is at least 0.33. A further embodiment has recognized highly beneficial club head performance regarding launch conditions when the transfer distance (TD) is at least 10 percent greater than the club moment arm (CMA). Even further, a particularly effective range for fairway woods has been found to be when the transfer distance (TD) is 10 percent to 40 percent greater than the club moment arm (CMA). This range ensures a high face closing moment (MOIfc) such that bringing club head square at impact feels natural and takes advantage of the beneficial impact characteristics associated with the short club moment arm (CMA) and CG location.

Referring now to FIG. 10, in one embodiment it was found that a particular relationship between the top edge height (TEH) and the Y_{cg} distance further promotes desirable performance and feel. In this embodiment a preferred ratio of the Y_{cg} distance to the top edge height (TEH) is less than 0.40; while still achieving a long blade length of at least 3.1 inches, including a heel blade length section (Abl) that is at least 1.1 inches, a club moment arm (CMA) of less than 1.1 inches, and a transfer distance (TD) of at least 1.2 inches, wherein the transfer distance (TD) is between 10 percent to

40 percent greater than the club moment arm (CMA). This ratio ensures that the CG is below the engineered impact point (EIP), yet still ensures that the relationship between club moment arm (CMA) and transfer distance (TD) are achieved with club head design having a stress reducing feature (1000), a long blade length (BL), and long heel blade length section (Abl). As previously mentioned, as the CG elevation decreases the club moment arm (CMA) increases by definition, thereby again requiring particular attention to maintain the club moment arm (CMA) at less than 1.1 inches while reducing the Ycg distance, and a significant transfer distance (TD) necessary to accommodate the long blade length (BL) and heel blade length section (Abl). In an even further embodiment, a ratio of the Ycg distance to the top edge height (TEH) of less than 0.375 has produced even more desirable ball flight properties. Generally the top edge height (TEH) of fairway wood golf clubs is between 1.1 inches and 2.1 inches.

In fact, most fairway wood type golf club heads fortunate to have a small Ycg distance are plagued by a short blade length (BL), a small heel blade length section (Abl), and/or long club moment arm (CMA). With reference to FIG. 3, one particular embodiment achieves improved performance with the Ycg distance less than 0.65 inches, while still achieving a long blade length of at least 3.1 inches, including a heel blade length section (Abl) that is at least 1.1 inches, a club moment arm (CMA) of less than 1.1 inches, and a transfer distance (TD) of at least 1.2 inches, wherein the transfer distance (TD) is between 10 percent to 40 percent greater than the club moment arm (CMA). As with the prior disclosure, these relationships are a delicate balance among many variables, often going against traditional club head design principles, to obtain desirable performance. Still further, another embodiment has maintained this delicate balance of relationships while even further reducing the Ycg distance to less than 0.60 inches.

As previously touched upon, in the past the pursuit of high MOI fairway woods led to oversized fairway woods attempting to move the CG as far away from the face of the club, and as low, as possible. With reference again to FIG. 8, this particularly common strategy leads to a large club moment arm (CMA), a variable that the present embodiment seeks to reduce. Further, one skilled in the art will appreciate that simply lowering the CG in FIG. 8 while keeping the Zcg distance, seen in FIGS. 2 and 6, constant actually increases the length of the club moment arm (CMA). The present invention is maintaining the club moment arm (CMA) at less than 1.1 inches to achieve the previously described performance advantages, while reducing the Ycg distance in relation to the top edge height (TEH); which effectively means that the Zcg distance is decreasing and the CG position moves toward the face, contrary to many conventional design goals.

As explained throughout, the relationships among many variables play a significant role in obtaining the desired performance and feel of a golf club. One of these important relationships is that of the club moment arm (CMA) and the transfer distance (TD). One particular embodiment has a club moment arm (CMA) of less than 1.1 inches and a transfer distance (TD) of at least 1.2 inches; however in a further particular embodiment this relationship is even further refined resulting in a fairway wood golf club having a ratio of the club moment arm (CMA) to the transfer distance (TD) that is less than 0.75, resulting in particularly desirable performance. Even further performance improvements have been found in an embodiment having the club moment arm (CMA) at less than 1.0 inch, and even more preferably, less

than 0.95 inches. A somewhat related embodiment incorporates a mass distribution that yields a ratio of the Xcg distance to the Ycg distance of at least two.

A further embodiment achieves a Ycg distance of less than 0.65 inches, thereby requiring a very light weight club head shell so that as much discretionary mass as possible may be added in the sole region without exceeding normally acceptable head weights, as well as maintaining the necessary durability. In one particular embodiment this is accomplished by constructing the shell out of a material having a density of less than 5 g/cm³, such as titanium alloy, non-metallic composite, or thermoplastic material, thereby permitting over one-third of the final club head weight to be discretionary mass located in the sole of the club head. One such nonmetallic composite may include composite material such as continuous fiber pre-preg material (including thermosetting materials or thermoplastic materials for the resin). In yet another embodiment the discretionary mass is composed of a second material having a density of at least 15 g/cm³, such as tungsten. An even further embodiment obtains a Ycg distance is less than 0.55 inches by utilizing a titanium alloy shell and at least 80 grams of tungsten discretionary mass, all the while still achieving a ratio of the Ycg distance to the top edge height (TEH) is less than 0.40, a blade length (BL) of at least 3.1 inches with a heel blade length section (Abl) that is at least 1.1 inches, a club moment arm (CMA) of less than 1.1 inches, and a transfer distance (TD) of at least 1.2 inches.

A further embodiment recognizes another unusual relationship among club head variables that produces a fairway wood type golf club exhibiting exceptional performance and feel. In this embodiment it has been discovered that a heel blade length section (Abl) that is at least twice the Ycg distance is desirable from performance, feel, and aesthetics perspectives. Even further, a preferably range has been identified by appreciating that performance, feel, and aesthetics get less desirable as the heel blade length section (Abl) exceeds 2.75 times the Ycg distance. Thus, in this one embodiment the heel blade length section (Abl) should be 2 to 2.75 times the Ycg distance.

Similarly, a desirable overall blade length (BL) has been linked to the Ycg distance. In yet another embodiment preferred performance and feel is obtained when the blade length (BL) is at least 6 times the Ycg distance. Such relationships have not been explored with conventional golf clubs because exceedingly long blade lengths (BL) would have resulted. Even further, a preferable range has been identified by appreciating that performance and feel become less desirable as the blade length (BL) exceeds 7 times the Ycg distance. Thus, in this one embodiment the blade length (BL) should be 6 to 7 times the Ycg distance.

Just as new relationships among blade length (BL) and Ycg distance, as well as the heel blade length section (Abl) and Ycg distance, have been identified; another embodiment has identified relationships between the transfer distance (TD) and the Ycg distance that produce a particularly playable golf club. One embodiment has achieved preferred performance and feel when the transfer distance (TD) is at least 2.25 times the Ycg distance. Even further, a preferable range has been identified by appreciating that performance and feel deteriorate when the transfer distance (TD) exceeds 2.75 times the Ycg distance. Thus, in yet another embodiment the transfer distance (TD) should be within the relatively narrow range of 2.25 to 2.75 times the Ycg distance for preferred performance and feel.

All the ratios used in defining embodiments of the present invention involve the discovery of unique relationships

among key club head engineering variables that are inconsistent with merely striving to obtain a high MOI or low CG using conventional golf club head design wisdom. Numerous alterations, modifications, and variations of the preferred embodiments disclosed herein will be apparent to those skilled in the art and they are all anticipated and contemplated to be within the spirit and scope of the instant invention. Further, although specific embodiments have been described in detail, those with skill in the art will understand that the preceding embodiments and variations can be modified to incorporate various types of substitute and or additional or alternative materials, relative arrangement of elements, and dimensional configurations. Accordingly, even though only few variations of the present invention are described herein, it is to be understood that the practice of such additional modifications and variations and the equivalents thereof, are within the spirit and scope of the invention as defined in the following claims.

We claim:

1. A multi-material iron-type golf club head comprising:

- (i) a shell having a face positioned at a front portion where the golf club head impacts a golf ball, the face being opposite a rear portion and extending between a top portion and a sole, thereby defining a closed internal volume, wherein the shell has an aperture located in the sole and extending through the shell from an exterior surface to the closed internal volume, the aperture has an aperture length between an aperture toe-most point and an aperture heel-most point, an aperture width between an aperture leading edge and an aperture trailing edge, and at least a portion of the aperture contains a filler material having a filler material compressive strength that is less than 50% of a shell compressive strength and a filler density less than 3 g/cm³, and wherein the shell includes a first material having a first density greater than the filler density, and a second material having a second density greater than the first density is attached to the shell;
- (ii) the face has a face thickness that varies from a minimum face thickness to a maximum face thickness, a characteristic time of at least 220 microseconds, and an engineered impact point, a face height, and a lower edge height, wherein the face has a blade length measured horizontally from an origin point toward a toe side of the golf club head to the most distant point on the golf club head in this direction, wherein the blade length includes a toe blade length section and a heel blade length section measured in the same direction as the blade length from the origin point to the engineered impact point, wherein the heel blade length section is at least 1.1", and a front-to-back dimension from a furthest forward point on the face to the furthest rearward point at the rear portion;
- (iii) a bore having a center that defines a shaft axis which intersects with a horizontal ground plane to define the origin point, and defines a shaft axis plane containing the shaft axis, wherein the bore is located at a heel side of the golf club head, and wherein the toe side of the golf club head is located opposite of the heel side;
- (iv) a center of gravity located:
 - (a) vertically from the origin point a distance Ycg;
 - (b) horizontally from the origin point toward the toe side of the golf club head a distance Xcg;
 - (c) a distance Zcg from the origin toward the rear portion in a direction generally orthogonal to the

vertical direction used to measure Ycg and generally orthogonal to the horizontal direction used to measure Xcg;

- (d) a club moment arm from the center of gravity to the engineered impact point is less than 1.1", wherein a ratio of the club moment arm to the heel blade length section is less than 0.9;
- (e) a transfer distance measured horizontally from the center of gravity to a vertical line extending from the origin, wherein the transfer distance is at least 10% greater than the club moment arm, and a ratio of the club moment arm to the transfer distance is less than 0.75; and
- (v) wherein the aperture leading edge is spaced rearward from an interior surface of the face a distance that is at least as great as the minimum face thickness, and at least a portion of the aperture leading edge is located between the shaft axis plane and the rear portion.

2. The multi-material iron-type golf club head of claim 1, wherein the aperture width of at least a portion of the aperture is at least fifty percent of the minimum face thickness.

3. The multi-material iron-type golf club head of claim 2, wherein the aperture width is less than the maximum face thickness.

4. The multi-material iron-type golf club head of claim 2, wherein the second density is at least twice the first density.

5. The multi-material iron-type golf club head of claim 4, wherein the second density is at least 15 g/cm³.

6. The multi-material iron-type golf club head of claim 2, wherein a ratio of the front-to-back dimension to the blade length is less than 0.925, a ratio of the heel blade length section to the front-to-back dimension is at least 0.32, and the club moment arm is less than 1".

7. The multi-material iron-type golf club head of claim 2, wherein a ratio of the Ycg distance to the top edge height is less than 0.40, and the transfer distance is at least 1.2".

8. The multi-material iron-type golf club head of claim 7, wherein the ratio of the Ycg distance to the top edge height is less than 0.375, and the club moment arm is less than 0.95".

9. The multi-material iron-type golf club head of claim 8, wherein the characteristic time is at least 240 microseconds.

10. The multi-material iron-type golf club head of claim 2, wherein the blade length is at least 3.1", a ratio of the front-to-back dimension to the blade length is less than 0.925, a ratio of the heel blade length section to the front-to-back dimension is at least 0.32, and the club moment arm is less than 1".

11. The multi-material iron-type golf club head of claim 10, wherein a stress-to-deflection ratio of the peak stress on the face to the peak deflection of the face when exposed to an approximate impact force is less than 5500 ksi per inch of deflection, wherein the approximate impact force is applied to the face over a 0.6 inch diameter, centered on the engineered impact point, and the approximate impact force is at least 1000 lbf and no more than 4000 lbf.

12. The multi-material iron-type golf club head of claim 2, wherein the aperture leading edge is curved.

13. The multi-material iron-type golf club head of claim 2, wherein the aperture is located at an aperture depth measured vertically from the lower edge height toward the center of gravity, and the aperture depth of at least a portion of the aperture is greater than zero.

14. The multi-material iron-type golf club head of claim 2, wherein the aperture length is at least fifty percent of the Xcg distance.

15. A multi-material iron-type golf club head comprising:
- (i) a shell having a face positioned at a front portion where the golf club head impacts a golf ball, the face being opposite a rear portion and extending between a top portion and a sole, thereby defining a closed internal volume, wherein the shell has an aperture located in the sole and extending through the shell from an exterior surface to the closed internal volume, the aperture has an aperture length between an aperture toe-most point and an aperture heel-most point, an aperture width between an aperture leading edge and an aperture trailing edge, and at least a portion of the aperture contains a filler material having a filler material compressive strength that is less than 50% of a shell compressive strength and a filler density less than 3 g/cm³, and wherein the shell includes a first material having a first density greater than the filler density;
 - (ii) the face has a face thickness that varies from a minimum face thickness to a maximum face thickness, a characteristic time of at least 220 microseconds, and an engineered impact point, a face height, and a lower edge height, wherein the face has a blade length measured horizontally from an origin point toward a toe side of the golf club head to the most distant point on the golf club head in this direction, wherein the blade length includes a toe blade length section and a heel blade length section measured in the same direction as the blade length from the origin point to the engineered impact point, wherein the heel blade length section is at least 1.1", and a front-to-back dimension from a furthest forward point on the face to the furthest rearward point at the rear portion;
 - (iii) a bore having a center that defines a shaft axis which intersects with a horizontal ground plane to define the origin point, and defines a shaft axis plane containing the shaft axis, wherein the bore is located at a heel side of the golf club head, and wherein the toe side of the golf club head is located opposite of the heel side;
 - (iv) a center of gravity located:
 - (a) vertically from the origin point a distance Ycg;
 - (b) horizontally from the origin point toward the toe side of the golf club head a distance Xcg;
 - (c) a distance Zcg from the origin toward the rear portion in a direction generally orthogonal to the

- vertical direction used to measure Ycg and generally orthogonal to the horizontal direction used to measure Xcg;
 - (d) a club moment arm from the center of gravity to the engineered impact point is less than 1.1", wherein a ratio of the club moment arm to the heel blade length section is less than 0.9;
 - (e) a transfer distance measured horizontally from the center of gravity to a vertical line extending from the origin, wherein the transfer distance is at least 10% greater than the club moment arm, and a ratio of the club moment arm to the transfer distance is less than 0.75;
 - (v) wherein the aperture leading edge is spaced rearward from an interior surface of the face a distance that is at least as great as the minimum face thickness, and the aperture leading edge is located between the shaft axis plane and the rear portion; and
 - (vi) wherein the aperture width of at least a portion of the aperture is at least fifty percent of the minimum face thickness.
16. The multi-material iron-type golf club head of claim 15, wherein the aperture width is less than the maximum face thickness.
17. The multi-material iron-type golf club head of claim 15, wherein a ratio of the front-to-back dimension to the blade length is less than 0.925, a ratio of the heel blade length section to the front-to-back dimension is at least 0.32, and the club moment arm is less than 1".
18. The multi-material iron-type golf club head of claim 15, wherein a ratio of the Ycg distance to the top edge height is less than 0.375, and the club moment arm is less than 0.95".
19. The multi-material iron-type golf club head of claim 15, wherein the characteristic time is at least 240 microseconds.
20. The multi-material iron-type golf club head of claim 15, wherein the blade length is at least 3.1", a ratio of the front-to-back dimension to the blade length is less than 0.925, a ratio of the heel blade length section to the front-to-back dimension is at least 0.32, the club moment arm is less than 1", the aperture leading edge is curved, and the aperture length is at least fifty percent of the Xcg distance.
- * * * * *